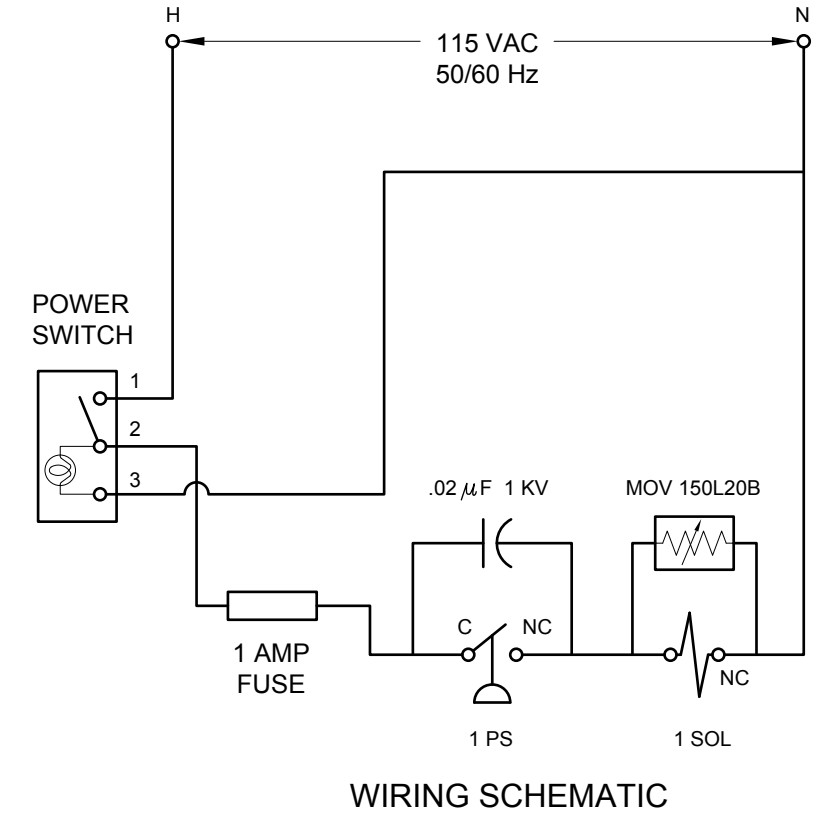


WIRING DIAGRAM

- NOTES:**
1. ALL WIRES ARE (18 GA).
 2. SOLENOID VALVE IS ENERGIZED WHEN PRESSURE SWITCH REACHES LOWER SET-POINT AND DE-ENERGIZED WHEN PRESSURE SWITCH REACHES UPPER SET-POINT.



Controls Corporation of America
1501 Harpers Road
Virginia Beach, VA 23454

To Order:
Call 1-800-225-0473 or 757-422-8330
Fax 757-422-3125
www.concoa.com

ADI 1909-D