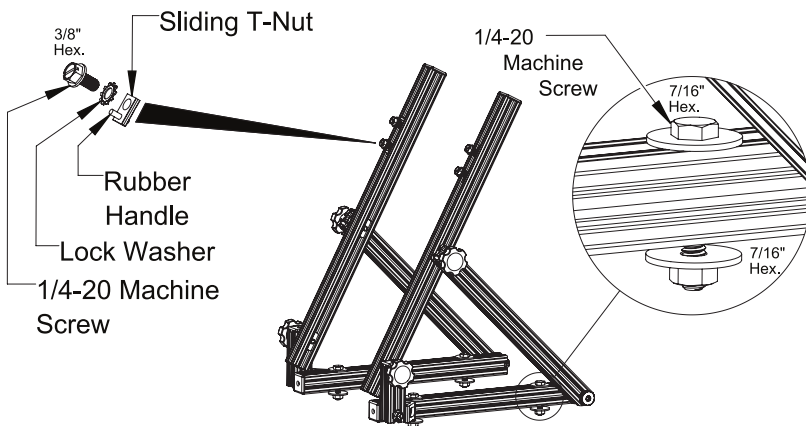
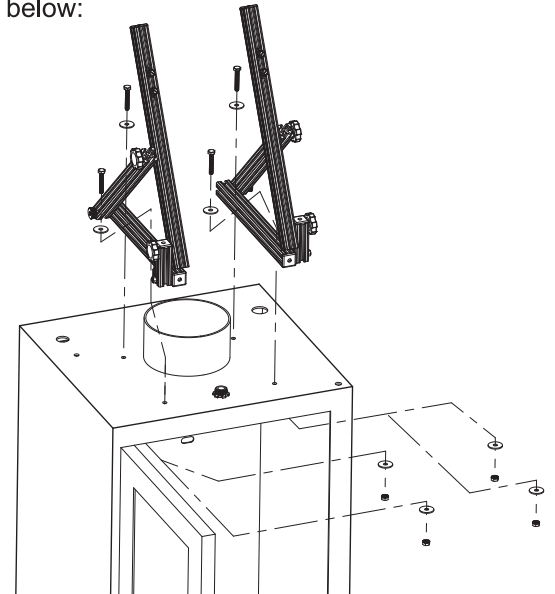


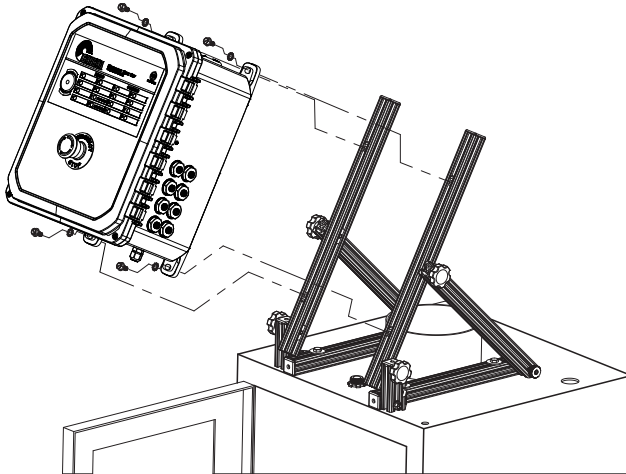
- 1** Disassemble the bracket fasteners on bottom bracket bars, and disassemble the 4 sliding t-nut assemblies used to fasten the ESO box to the bracket.



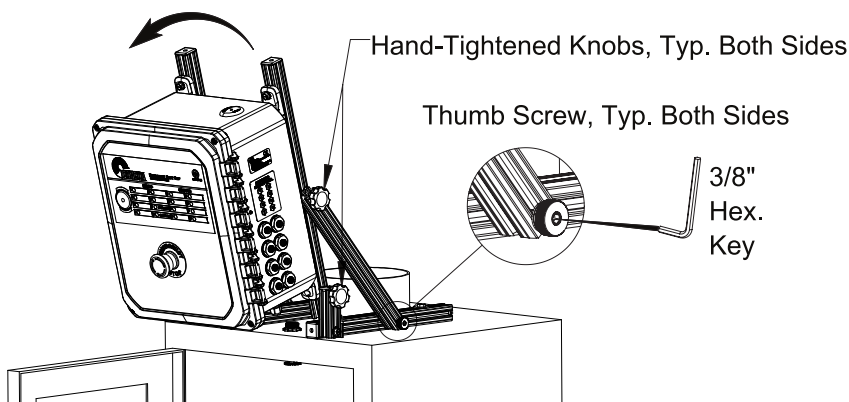
- 2** Attach the bracket to the cabinet (or any item with the correct hole pattern - see "Hole Pattern and Recommended Hole Size") as shown below:



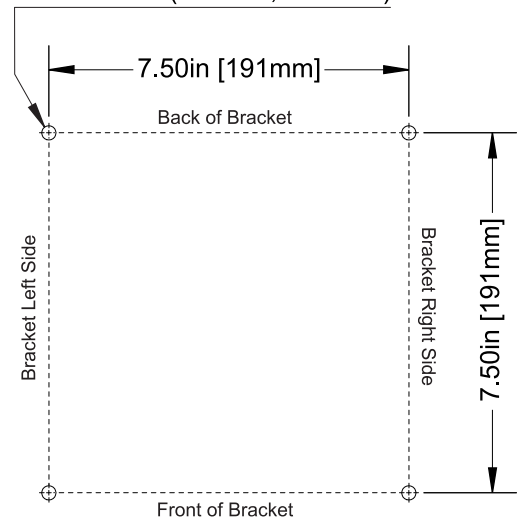
- 3** With the bracket arms tilted rearward, attach the ESO box to the bracket arms as shown below:



- 4** Loosen the 4 hand-tightened knobs (2 on each side of the bracket). **DO NOT UNSCREW THE KNOBS COMPLETELY - REASSEMBLY IS DIFFICULT.** Using a hex. key, tighten or loosen the thumb screws on left and right bottom bars just enough to allow the arms to slide. Rotate the ESO box into desired position, and lock in place by tightening all 6 knobs.



Typ. 4 Places:
ø.297" Hole (ø19/64", ø7.5mm)



**HOLE PATTERN &
RECOMMENDED
HOLE SIZE**