



CE

**European
Advantium 1 *Plus*
Alarm**

INSTALLATION AND OPERATING INSTRUCTIONS

Carefully Read These Instructions Before Operating

Controls Corporation of America
1501 Harpers Road • Virginia Beach, VA 23454
Telephone 1-800-225-0473 or 757-422-8330 • Fax 757-422-3125
www.concoa.com

February 2013
Revision A

SAFETY



BASIC SAFETY PRECAUTIONS MUST BE FOLLOWED TO REDUCE THE RISK OF FIRE, ELECTRICAL SHOCK OR INJURY.

- While the Advantium 1 *Plus* Alarm is dust and moisture resistant, it is NOT water-proof or completely sealed. It should be installed where it will not be subjected to rain or high concentrations of dust. Never pour or spray liquids directly onto the product.
- Install the Advantium 1 *Plus* where the ambient temperature range is between 0° F and 140° F.
- THIS PRODUCT IS NOT INTENDED FOR USE IN EXPLOSIVE ENVIRONMENTS.
- DO NOT INSTALL THIS PRODUCT IN ANY HAZARDOUS ENVIRONMENT.
- If product appears damaged in any way, do not use and request service from CONCOA.

USER RESPONSIBILITY

Service to this product should only be performed by CONCOA or an authorized CONCOA agent. Requests for service may be made through CONCOA CUSTOMER SERVICE at 1-800-225-0473. Written requests may be made using CONCOA's FAX number at 1-757-422-3125 or CONCOA's E-MAIL at info@concoa.com

CONCOA accepts no responsibility for damage or injury if this product is modified in any way.

CONCOA assumes/accepts no liability or responsibility for damage to individuals or equipment that may occur when using this product.

Index

Power Requirements	1
Alarm Relay Specifications	1
Understanding Alarm Operation.....	2
Mounting Requirements.....	5
Installation Instructions.....	5
Connecting Alarm to Protocol Station.....	6
Connecting Alarm Outputs	7
Setting Remote Alarm Outputs.....	9
Muting Audible Alarm.....	11
Enabling Alarm Delay Function	11
Changing Input Signal Polarity.....	12
Accessories	14
Warranty Information	15

POWER REQUIREMENTS

Input Voltage: External Power Supply

Universal input voltage 90 ~264 VAC.

Power Consumption: 5 watts

ALARM OUTPUT RELAY SPECIFICATIONS:

Contacts: Normally Open/ Normally Closed (selectable) Dry Contact

Contact Rating: 24 volts DC @.5 amps Max.

UNDERSTANDING ALARM OPERATION

Figure 1

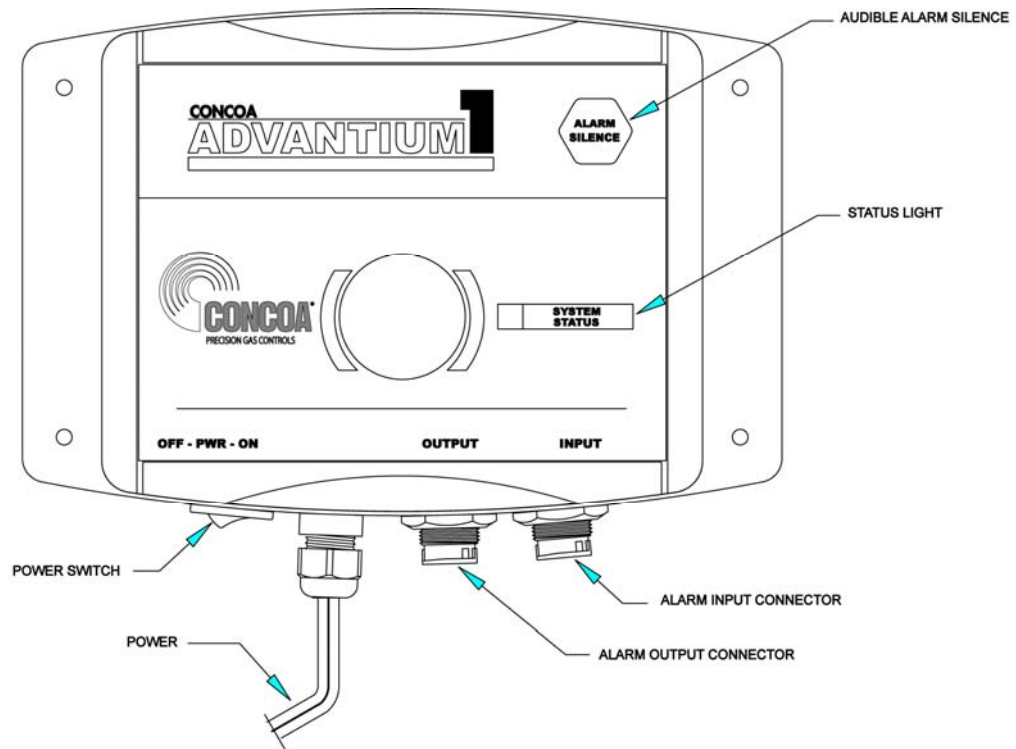


Figure 1 shows the location of the various inputs, outputs and indicators for the alarm. The Advantium 1 *Plus* has a universal power supply.

An ON/OFF power switch is provided on the bottom of the alarm. The switch must be in the ON position for the alarm to work.

Input signal coming from the Protocol Station is connected to the alarm through a 6 pin circular connector.

The Advantium 1 *Plus* provides an output signal to indicate the alarm condition of the equipment it is monitoring. This signal is brought out through relay contacts to a 4 position circular connector. The Advantium 1 *Plus* is factory set so that this output signal is brought out through Normally Closed (N.C.) contacts. Having these relay set to Normally Closed allows for configuring multiple Advantium 1 *Plus* alarms for remote locations as needed.

The contact polarity can be changed, if needed, to Normally Open. Refer to the section in this manual “Changing Output Relay Contacts”.

Figure 1 shows a view of the front panel. It is laid out with a single status light on the right side representing the Inlet alarm output originating from the equipment being monitored. The System Status indicator light is a bi-colored LEDs. This means that the same light can be turned ON as either a green indicator or a red indicator. A green LED indicates a normal condition while a red LED indicates an alarm condition.

In the center of the front panel is an audible transducer. This transducer is used to provide an audible indication of an alarm condition. In the upper right portion of the front panel is a button labeled “alarm silence”. This button allows the operator to silence the audible alarm even though an alarm condition still exists. This audible alarm can be disabled if desired. Refer to the Section “Muting Audible Alarm” for instruction on how this is done.

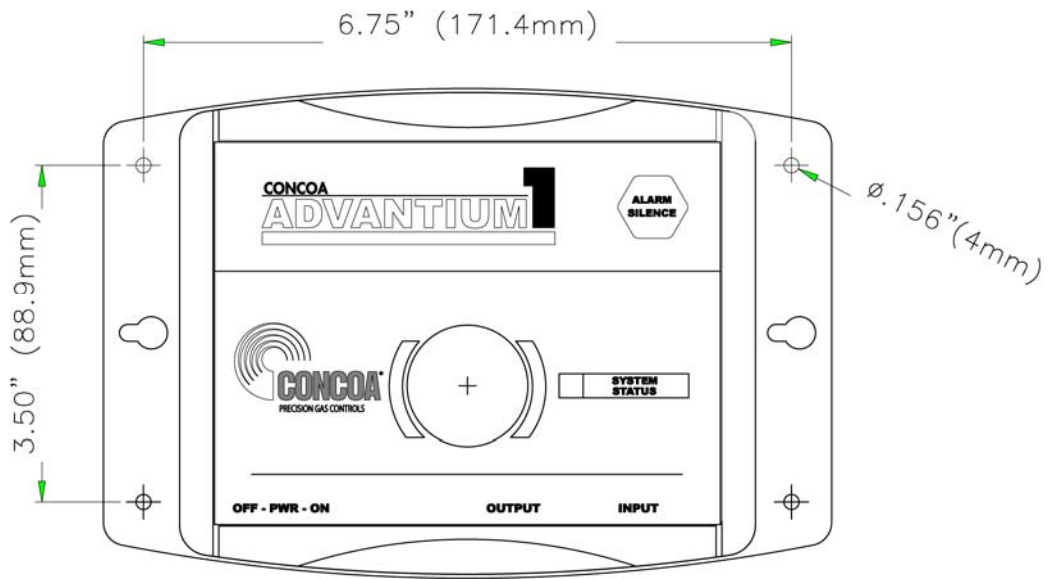
The Advantium 1 *Plus* input expects a switch connection across two of the pins on its input connector. The Advantium 1 *Plus* supplies a +12vdc signal brought out to one of the pins on the Input connector that serves as the supply voltage for the switch connection on the equipment being monitored. For normal operation, this switch contact should be normally closed (N.C.). The Advantium 1 *Plus* uses the Normally Closed (N.C.) contact signal from the equipment being monitored to determine the state of the alarm of that equipment.

If there is no alarm condition, the Advantium 1 *Plus* will turn ON the green indicator next to the status being monitored.

When the switch on the equipment being monitored opens, the Advantium 1 *Plus* considers this to be an alarm condition. The response from the Advantium 1 *Plus* is to change the color of the indicator next to the status from Green to Red. At the same time, if enabled, the audible buzzer in the Advantium 1 *Plus* will begin to beep in a pulsing fashion. In addition, a set of contacts representing this alarm condition will open in the output section of the Advantium 1 *Plus* alarm. Both the change in LED color and the audible alarm will be delayed by 40 minutes if the “Delay Alarm” feature is enabled.

MOUNTING REQUIREMENTS

Figure 3



INSTALLATIONS INSTRUCTIONS

Included with the Advantium 1 *Plus* Alarm are four (4) screws and wall anchors. If using the wall anchors drill a 1/8" hole in each of the four locations of the mounting holes of the alarm. The alarm enclosure or the template provided may be used. Place the wall anchors into the wall and attach the alarm using the screws provided.

Attach the output cable from the equipment being monitored to the Input of the alarm. If using the output of the alarm to connect to another alarm or system, attach the output cable at this time.

Plug the alarm into the appropriate power. Turn alarm ON by turning the Power switch on the bottom of the alarm to the ON position and test the system. The system may be tested once it is connected to the equipment being monitored by activating the switch on the equipment. In the case of a CONCOA protocol system dropping the inlet pressure on the system to below the trip point set on the pressure gauge will activate the alarm. Refer to the operator's manual for the protocol system to learn how to set the trip point.

CONNECTING ALARM TO PROTOCOL STATION

The Advantium 1 *Plus* Remote Alarm is designed to interface to CONCOA's Protocol Stations. The 6-pin remote alarm interface connector is located at the bottom of the Advantium 1 *Plus* Alarm enclosure (See Figure 1). There are two ways to connect the product to a protocol station. Ready made cable assemblies for connecting the Advantium 1 *Plus* Alarm to a protocol station are available from the factory. Contact your local CONCOA Distributor or call 1-800-225-0473 for information. The other option is to build your own cable assembly to connect the two devices. For convenience, a mating 6-pin connector is provided to use in building this cable assembly. The protocol station also comes with a mating connector that is used to attach to the protocol side of the cable assembly. The recommended cable for this assembly is 22 AWG, 4-conductor stranded wire (Alpha # 1174C or equivalent). The length of this cable should be limited to 1500 feet.

Cut the 4-conductor cable to length. Remove the outer jacket of the cable to expose approximately 3/4 inch of the internal conductors on both sides of the cable. Strip away 1/4-inch of the insulation on each of the conductors.

On the 6-pin connector, slide the protective cover, cable retainer, and locking nut over the end of the cable as shown in Figure 4.

Figure 4

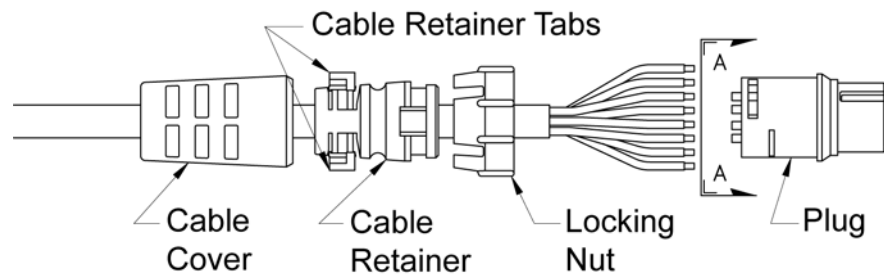
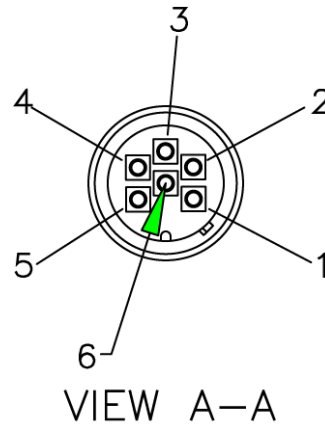


Figure 5



Using the pin assignments shown in Table 1 and the connector views in Figure 4 and Figure 5, solder the wires to the appropriate pins. After soldering is complete, slide the locking nut over the connector body. Snap the cable retainer into the body and then slide the protective cover over the cable retainer.

Table 1— Remote Alarm Pin Assignments

Protocol Pin Number	5750011/5740012 Alarm Pin Number	Function
1	1	N.C.
2	2	N.C.
3	3	+12v (provided by the remote alarm)
4	4	Inlet Status
5	5	Alarm.
6	6	Ground (provided by the remote alarm)

CONNECTING ALARM OUTPUTS

The Advantium 1 *Plus* provides output signals corresponding to the alarm conditions that it senses. These signals are presented through relay contacts and are brought out to a 4 pin circular connector on the bottom of the alarm. A mating 4 pin connector is provided to allow for connecting the alarm to other equipment. Pre-made cables are also available. Contact your local CONCOA Distributor or call 1-800-225-0473 for information. The relay contacts are configurable. They are factory set as Normally Closed (N.C.) but may be changed to Normally Open (N.O.) if needed. Refer to the Section “Setting Remote Alarm Outputs” in the manual for the procedure.

The recommended cable for making an output cable assembly is 22 AWG, 4-conductor stranded wire (Alpha # 1174C or equivalent). The length of this cable should be limited to 1500 feet.

Cut the 4-conductor cable to length. Remove the outer jacket of the cable to expose approximately 3/4 inch of the internal conductors on both sides of the cable. Strip away 1/4-inch of the insulation on each of the conductors.

On the 6-pin connector, slide the protective cover, cable retainer, and locking nut over the end of the cable as shown in Figure 6.

Using the pin assignments shown in Table 2 and the connector views in Figure 6 and Figure 7, solder the wires to the appropriate pins. After soldering is complete, slide the locking nut over the connector body. Snap the cable retainer into the body and then slide the protective cover over the cable retainer.

CONNECTING ALARM OUTPUTS (cont.)

Figure 6

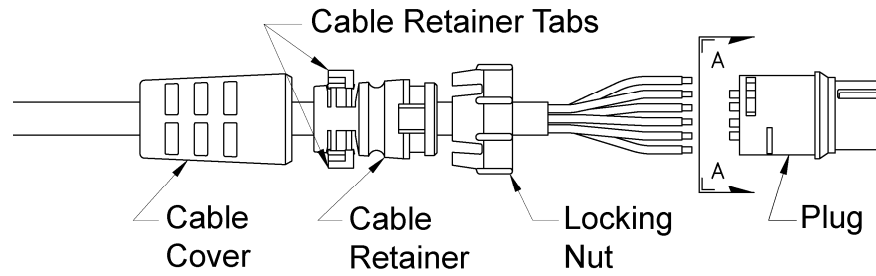
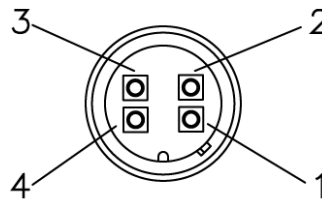


Figure 7



VIEW A-A

Table 2— Remote Alarm Output Pin Assignments

Alarm Output Connector Pin Number	Function
1	N.C.
2	Inlet Alarm
3	+12v (provided externally)
4	

SETTING REMOTE ALARM OUTPUTS

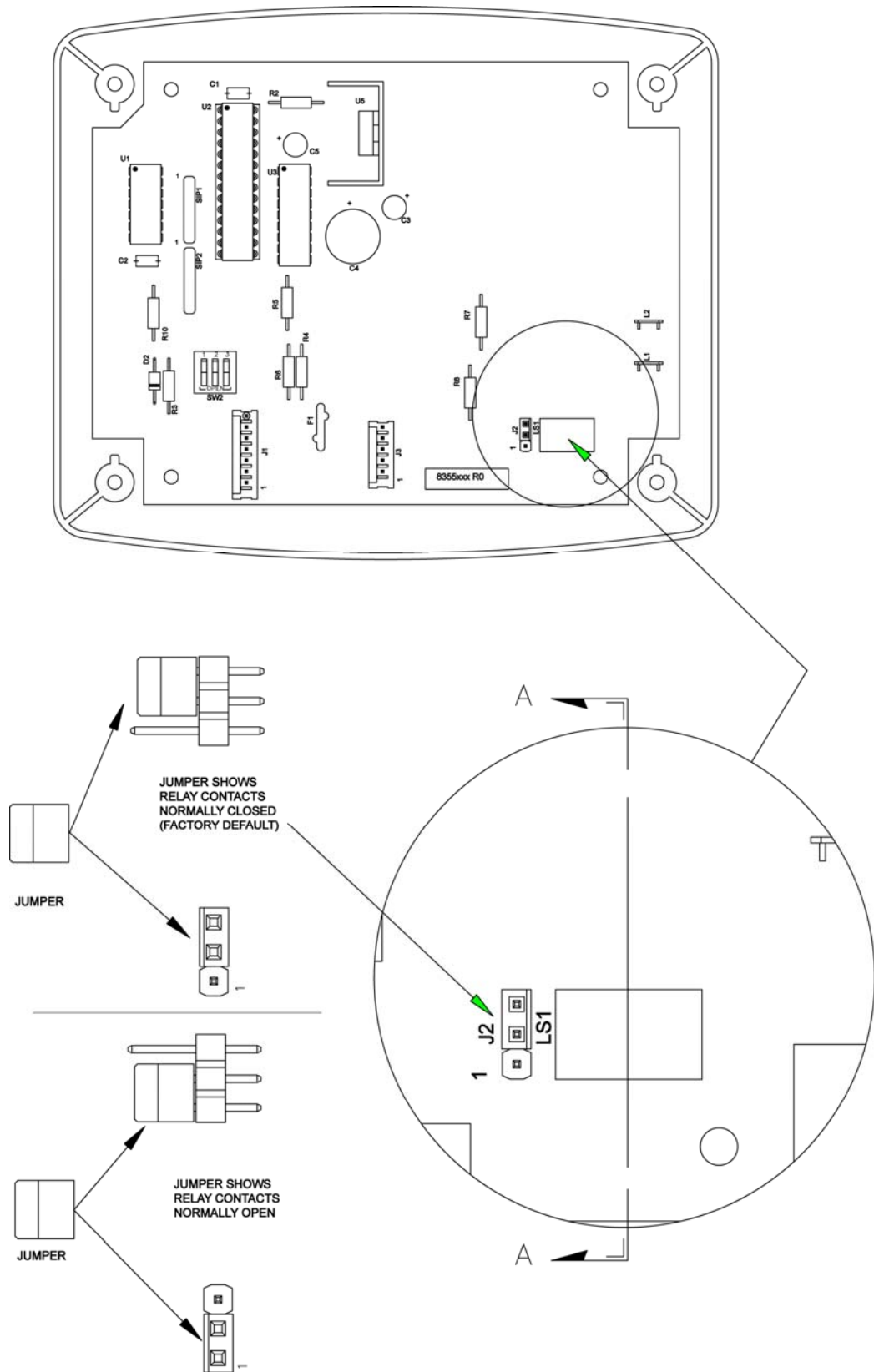
The output signals from the Advantium 1 *Plus* are brought out of the alarm through relay contacts. These contacts are set as Normally Closed (N.C.) FACTORY DEFAULT. The relay contacts can be reconfigured as Normally Open (N.O.) . To change the relay configuration perform the following steps:

1. Turn AC power switch OFF and unplug the alarm from AC power.
2. If the alarm is anchored to a wall remove the four screws holding it to the wall to gain access to the back of the unit.
3. Separate the front and back of the unit by loosening the 4 screws located on the rear of the enclosure.
4. Figure 8 shows the location of the jumpers on the circuit board for setting the contacts.
5. Using Table 3 and Figure 8 set the jumpers to the desired contact arrangement.
6. Reattach the two sections of the enclosure with the screws previously removed.
7. Re-attach/attach the alarm to the wall with the 4 screws and the wall anchors provided
8. Make the necessary connections to the alarm and plug the alarm cable into the alarm connector on the bottom of the cabinet.
9. Plug the alarm back into the AC power. Turn AC power switch ON.

Table 3

Jumper	Function
J2	Inlet Alarm

Figure 8



MUTING AUDIBLE ALARM

It is sometimes desirable to silence the audible alarm on the Advantium 1 *Plus*. This can be accomplished by turning OFF the audible alarm switch inside the alarm. **FACTORY DEFAULT IS ON.** To turn OFF the audible alarm perform the following steps:

1. Turn AC power switch OFF and unplug the alarm from AC power.
2. If the alarm is anchored to a wall remove the four screws holding it to the wall to gain access to the back of the unit.
3. Separate the front and back of the unit by loosening the 4 screws located on the rear of the enclosure.
4. Using Figure 9 locate SW2 switch 3 and turn it OFF.
5. Replace back cover using the previously removed screws.
6. Re-attach the alarm to the wall using the previously removed screws.
7. Plug the alarm back into AC power.
8. Turn alarm ON by turn the power switch on the bottom of the alarm to the ON position.
9. Test unit.

ENABLING ALARM DELAY FUNCTION

The Advantium 1 *Plus* has a built in alarm delay feature. This feature, when set, will delay both the visual and audible alarm signals for a period of 40 minutes. The Advantium 1 *Plus* alarm is shipped from the factory with the Alarm Delay feature shut OFF. If you wish to enable this alarm delay feature perform the following steps:

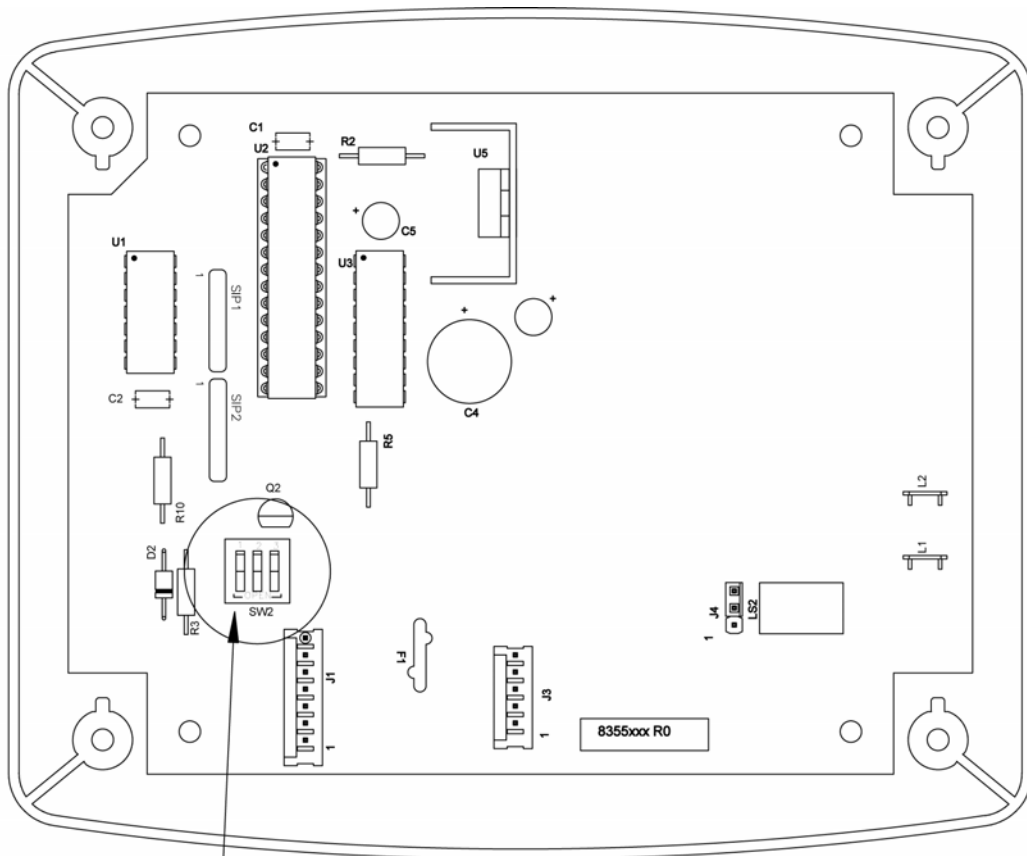
1. Turn AC power switch OFF and unplug the alarm from AC power.
2. If the alarm is anchored to a wall remove the four screws holding it to the wall to gain access to the back of the unit.
3. Separate the front and back of the unit by loosening the 4 screws located on the rear of the enclosure.
4. Using Figure 9 locate SW2 switch 1 and turn it ON.
5. Replace back cover using the previously removed screws.
6. Re-attach the alarm to the wall using the previously removed screws.
7. Plug the alarm back into AC power.
8. Turn alarm ON by turn the power switch on the bottom of the alarm to the ON position.
9. Test unit.

CHANGING INPUT SIGNAL POLARITY

The CONCOA Protocol station provides a normally 'ON' signal to the alarm input when the protocol station is operating properly. If an alarm condition occurs, this signal turns from 'ON' to 'OFF'. It is possible to change how the alarm interprets the input if for some reason the output of the equipment being monitored is configured as Normally Open (N.O.). Under normal circumstances there should be no reason to change the input polarity. NOTE: CHANGING THIS INPUT SIGNAL POLARITY WILL CAUSE THE ALARM TO FUNCTION IMPROPERLY IF IT IS USED WITH A CONCOA PROTOCOL STATION. FACTORY DEFAULT IS NORMALLY CLOSED (N.C.) .To change the input so that an input is 'OFF' when there is no alarm and 'ON' when an alarm occurs perform the following steps:

1. Turn AC power switch OFF and unplug the alarm from AC power.
2. If the alarm is anchored to a wall remove the four screws holding it to the wall to gain access to the back of the unit.
3. Separate the front and back of the unit by loosening the 4 screws located on the rear of the enclosure.
4. Using Figure 9 locate SW2 switch 2 and turn it ON.
5. Replace back cover using the previously removed screws.
6. Re-attach the alarm to the wall using the previously removed screws.
7. Plug the alarm back into AC power.
8. Turn alarm ON by turn the power switch on the bottom of the alarm to the ON position.
9. Test unit.

Figure 9



ON - rocker down in direction of arrow

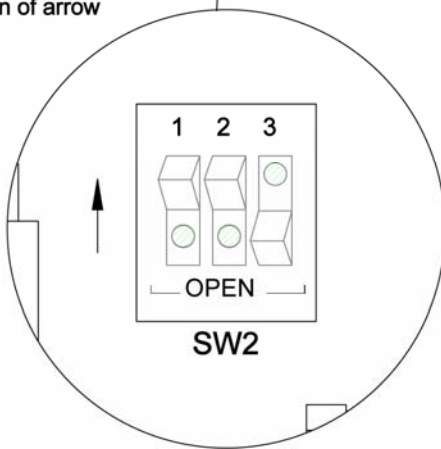


Table 4

SWITCH	FUNCTION
1	Alarm Delay
2	Input Signal Polarity
3	Audible Alarm Mute

ACCESSORIES

Pre-assembled cables for connecting a CONCOA Protocol Station to the Advantium 1 *Plus* Alarm are available from your CONCOA distributor. Refer to the table below for cable assembly descriptions and part numbers.

Cable Description	Part Number
Advantium Input Cable	5295316-xx*
Advantium Input Extension Cable	5295317-xx*
Advantium Output Cable	5295320-xx*
Advantium Interconnect Cable	5295329-xx*

* - Replace '-xx' with cable length. Length is in feet. Choices are -03 (3ft.), --10 (10ft.), -25 (25ft.), -50 (50 ft.), -100 (100ft.)

Example: Order 25 ft. Advantium Input Cable

PN 5295316-25

WARRANTY INFORMATION

This equipment is sold by CONTROLS CORPORATION OF AMERICA under the warranties set forth in the following paragraphs. Such warranties are extended only with respect to the purchase of this equipment directly from CONTROLS CORPORATION OF AMERICA or its Authorized Distributors as new merchandise and are extended to the first Buyer thereof other than for the purpose of resale.

For a period of one (1) year from the date of original delivery (90 days in corrosive service) to Buyer or to Buyer's order, this equipment is warranted to be free from functional defects in materials and workmanship and to conform to the description of this equipment contained in this manual and any accompanying labels and/or inserts, provided that the same is properly operated under conditions of normal use and that regular periodic maintenance and service is performed or replacements made in accordance with the instructions provided. The foregoing warranties shall not apply if the equipment has been repaired: other than by CONTROLS CORPORATION OF AMERICA or a designated service facility or in accordance with written instructions provided by CONTROLS CORPORATION OF AMERICA, or altered by anyone other than CONTROLS CORPORATION OF AMERICA, or if the equipment has been subject to abuse, misuse, negligence or accident.

CONTROLS CORPORATION OF AMERICA's sole and exclusive obligation and Buyer's sole and exclusive remedy under the above warranties is limited to repairing or replacing, free of charge, at CONTROLS CORPORATION OF AMERICA's option, the equipment or part, which is reported to its Authorized Distributor from whom purchased, and which if so advised, is returned with a statement of the observed deficiency, and proof of purchase of equipment or part not later than seven (7) days after the expiration date of the applicable warranty, to the nearest designated service facility during normal business hours, transportation charges prepaid, and which upon examination, is found not to comply with the above warranties. Return trip transportation charges for the equipment or part shall be paid by Buyer.

CONTROLS CORPORATION OF AMERICA SHALL NOT BE OTHERWISE LIABLE FOR ANY DAMAGES INCLUDING BUT NOT LIMITED TO: INCIDENTAL DAMAGES, CONSEQUENTIAL DAMAGES, OR SPECIAL DAMAGES, WHETHER SUCH DAMAGES RESULT FROM NEGLIGENCE, BREACH OF WARRANTY OR OTHERWISE.

THERE ARE NO EXPRESS OR IMPLIED WARRANTIES WHICH EXTEND BEYOND THE WARRANTIES HEREINABOVE SET FORTH. CONTROLS CORPORATION OF AMERICA MAKES NO WARRANTY OF MERCHANTABILITY OR FITNESS FOR A PARTICULAR PURPOSE WITH RESPECT TO THE EQUIPMENT OR PARTS THEREOF.



ADI 9525A

Certified ISO 9001:2000

Controls Corporation of America

1501 Harpers Road Virginia Beach, VA 23454

Telephone 1-800-225-0473 or 757-422-8330 • Fax 757-422-3125

www.concoa.com