



Medical Gas Switchovers and Manifolds

629 Series MicroManifold



629-1163-580 Shown

The 629 MicroManifold Vent Kit is a flexible means of connecting two or more Cryogenic Liquid Cylinder vent valves when the source of the Medical Gas Supply is from Cryogenic Liquid Cylinders, commonly called Dewars. The 629 Series equalizes the head space pressure of the liquid cylinders (Dewars) connected as the primary or secondary supply source to either the 570 or 571 Medical IntelliSwitch Systems. This allows each cylinder connected to withdraw equally and maximizes the flow capacity of the connected Liquid Cylinders. It provides a safe and easy way to connect from two to eight liquid cylinders and should be used anytime there is more than one Liquid cylinder connected to a Medical IntelliSwitch. The modular wall mounted design protects vent hoses from damage and contamination during cylinder changes and the flow orifices protect personnel from hose wiping when disconnecting the vent hoses.

Advanced Features

- Vent manifold excess flow orifices prevents pigtails from whipping
- Safety disk protects manifold from over-pressurization
- Compact modular design provides simple field expandability
- Multiple cylinder hose options universal gas compatibility
- Integrated ½" MPT capped connection allows for future expansion
- Flexible Design Allows for expansion by adding additional vent hoses or 4 cylinder Vent Extension kits. Can be used with either the 570 or 571 Medical IntelliSwitch

Applications

All Cryogenic Liquid Cylinder Supply of:
Healthcare and Medical Gas Pipeline

Oxygen USP
Nitrogen NF
Nitrous Oxide USP
Carbon Dioxide USP
Air USP
Helium USP
Medical Mixtures

Medical Facilities

Hospitals, Surgery Centers,
Clinics, Hyperbaric Chambers, Dental
Clinics, Extended Care Facilities,
Nursing Homes

Materials

Brass Barstock Header

Stainless steel mounting
brackets

Specifications

Maximum Inlet Pressure
600 psi (41BAR)
Temperature Range
-320 F to 165 F
Inlet Connections
CGA 295
CGA 440
Outlet Connection
Capped ½" MPT connection
Weight (Manifold & bracket)
14.5 lbs. (6.58kg.)

Ask About Our

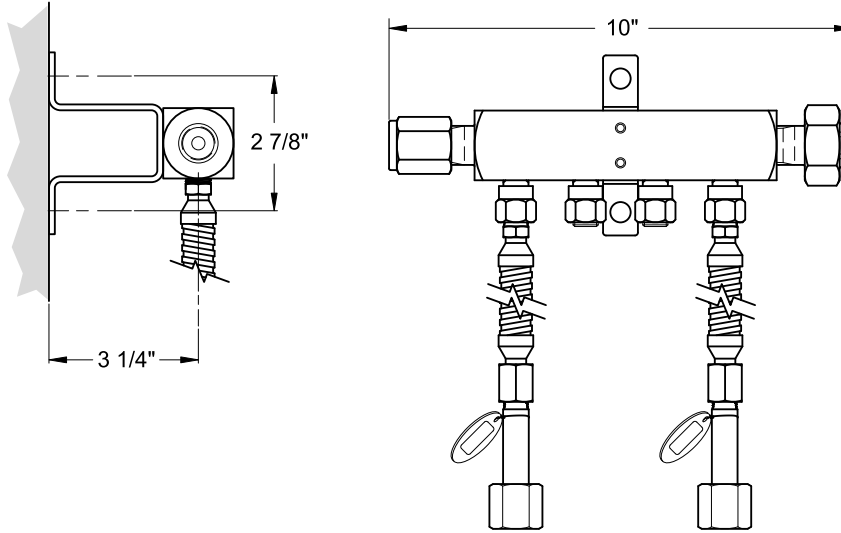
**EXTENDED
WARRANTY**

On This CONCOA Product

Medical Gas Switchovers and Manifolds



Installation Dimensions



629-21A2-001 Vent MicroManifold

Ordering Information

629	A	B	C	D	CB	-XXX
Series 629	Manifold Type	Orientation	Pigtail Style	Cyl./Side		Connection
2: Vent MicroManifold (No Gauges)		0: Simplex (right bank)	A: 72" Flexible Stainless Steel-braided with PTFE lining Inert or CO ₂ †	1: One		Please specify inlet connection -440 (Oxygen) -295 (Nitrogen or CO ₂) -622 (CO ₂ alternate)
		1: Simplex (left bank)	B: 72" Flexible Stainless Steel-braided with PTFE lining Oxygen†	2: Two		
		2: Duplex (right and left bank)		3: Three		
		4: Four				
		5: Five				
		6: Six				
		7: Seven				
		8: Eight				

Related Options

Option	Stock No.	Description
Burst Disk Kit	829-9960	½" MPT replacement burst disk kit
Vent Extension Kit	829-9962	Four cylinder vent manifold extension block with mounting hardware
Floor Stand	830-7437	Single manifold floor stand provides support for up to two consecutive manifold extensions