



300 Series Regulators

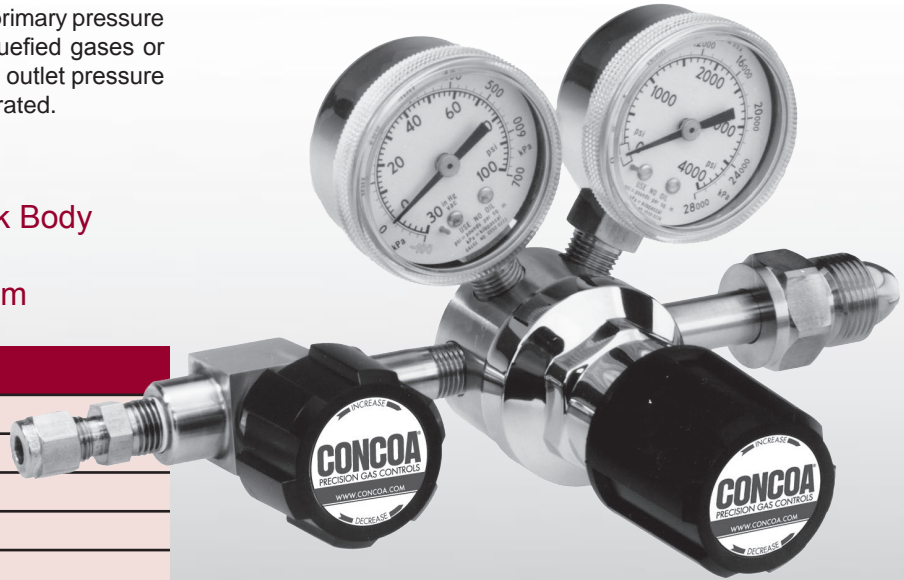
302 SERIES

The 302 Series regulators are intended for primary pressure control of non-corrosive, high purity or liquefied gases or for applications where minor fluctuations in outlet pressure due to diminishing inlet supply can be tolerated.

- Single Stage
- Chrome-Plated Brass Barstock Body
- Four Port Configuration
- 316L Stainless Steel Diaphragm

Typical Applications

- Gas and liquid chromatography
- High purity carrier gases
- Zero, span, and calibration gases
- High purity chamber pressurization
- Liquefied hydrocarbon gas control
- Control of cryogenic gases



302 2331-580 shown

Features

- CAPSULE® Seat**
Increased serviceability and life
- 316L Stainless Steel Diaphragm**
No inboard diffusion
- Low Wetted Surface Area**
Minimal purge requirements
- Field-Adjustable Pressure Limit**
Safeguard downstream equipment
- Convolute Diaphragm**
Smooth pressure changes
- Compact Design**
Easily transported and integrated into systems
- Chrome-Plated Brass Barstock Body**
Smooth surface finish
- Rear Panel-Mountable**
Easy installation
- Pressure Ranges 0-15 to 0-500 PSIG (0-1 to 0-34 BAR)**
Broad range of applications

Materials

- Body**
Chrome-plated brass barstock
- Bonnet**
Chrome-plated die-cast zinc
- Seat**
PTFE
PCTFE with 3500 PSIG (240 BAR) or 4500 PSIG (310 BAR) inlet option
- Filter**
10 micron sintered bronze
- Diaphragm**
316L stainless steel
- Internal Seals**
PTFE

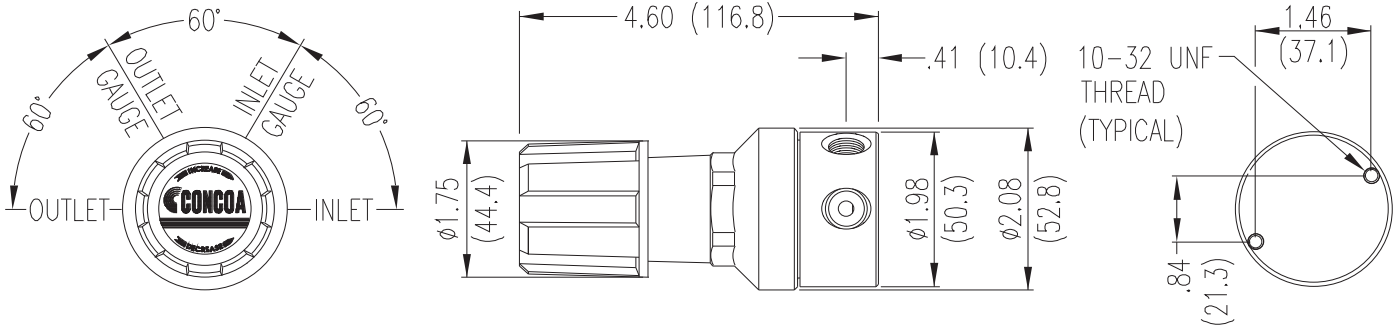
Specifications

- Maximum Inlet Pressure**
3000 PSIG (210 BAR)
3500 PSIG (240 BAR) optional
4500 PSIG (310 BAR) optional
- Temperature Range**
-40°F to 140°F (-40°C to 60°C)
- Gauges**
2" (53mm) diameter chrome-plated brass
- Ports**
1/4" FPT
- Helium Leak Integrity**
1 x 10⁻⁸ scc/sec
- Cv**
0.1
See page 202 for flow curves
- Weight (302 2331-580)**
3.1 lbs. (1.40 kg)

300 Series Regulators



Installation Dimensions



Ordering Information

| 302 | A | B | C | D | -CON | Options | |
|------------|--|--|--------------------------------------|---|---|---|--|
| Series 302 | Outlet Pressure | Outlet Gauge | Inlet Gauge | Outlet Assemblies | Assembly Gauges | Inlet Connections | Installed Options |
| | 1: 0-15 PSIG (0-1 BAR)* | 30"-0-30 PSIG/ -1-0-2 BAR | 0: None | 0: 1/4" FPT port | 0: Bare body | 000: 1/4" FPT | B: Protocol alarm station (110/220 VAC) |
| | 2: 0-50 PSIG (0-3.5 BAR) | 30"-0-100 PSIG/ -1-0-7 BAR | 3: 0-4000 PSIG/ 0-275 BAR | 1: 1/4" MPT | 1: Standard assembly (PSIG/kPa gauges) | TF2: 1/8" tube | C: Protocol switchover station |
| | 3: 0-100 PSIG (0-7 BAR) | 30"-0-200 PSIG/ -1-0-14 BAR | 5: 0-1000 PSIG/ 0-70 BAR | 2: 1/4" tube fitting | 2: Standard assembly (BAR/PSIG gauges) | TF4: 1/4" tube | H: Protocol switchover station with alarm (110/220 VAC) |
| | 4: 0-250 PSIG (0-17 BAR) | 0-400 PSIG/ 0-27 BAR | 6: 0-300 PSIG/ 0-21 BAR | 3: Diaphragm valve 1/4" tube fitting | | TF6: 3/8" tube | M: Protocol station |
| | 5: 0-500 PSIG (0-34 BAR) | 0-1000 PSIG/ 0-70 BAR | 7: 0-400 PSIG/ 0-27 BAR | 4: Diaphragm valve 1/4" MPT | | M06: 6mm tube | Q: Protocol purge station* |
| | 7: 0-150 PSIG (0-10 BAR) | 30"-0-200 PSIG/ -1-0-14 BAR | 8: 0-6000 PSIG/ 0-415 BAR* | 5: Needle valve 1/4" MPT | | CGA DIN 477 BS 341 and others available | T: Tee purge* |
| | *Not available with 4500 PSIG (310 BAR) maximum inlet pressure | | G: 0-4000 PSIG/ 0-275 BAR* | 6: 1/8" tube fitting | | | *Not available with 4500 PSIG (310 BAR) max inlet pressure |
| | | *Maximum inlet pressure 4500 PSIG (310 BAR) with PCTFE Seat CAPSULE® | | 7: 3/8" tube fitting | | | |
| | | *Maximum inlet pressure 3500 PSIG (240 BAR) with PCTFE seat CAPSULE® | | 8: Diaphragm valve 1/8" tube fitting | | | |
| | | | | 9: Diaphragm valve 1/4" FPT | | | |
| | | | | A: 3/8" BSP RH fitting | | | |
| | | | | B: Diaphragm valve 3/8" tube fitting | | | |
| | | | | C: 3/8" BSP LH fitting | | | |
| | | | | D: 6mm brass hose barb (not available if A=4 or 5) | | | |
| | | | | G: 1/8" stainless steel tube fitting | | | |
| | | | | H: 1/4" stainless steel tube fitting | | | |
| | | | | M: 6mm tube fitting | | | |
| | | | | S: Diaphragm valve 6mm tube fitting | | | |

Related Options

| Order No. | Description |
|-----------|----------------------|
| 835 0204 | Rear panel mount kit |

