



300 Series Regulators

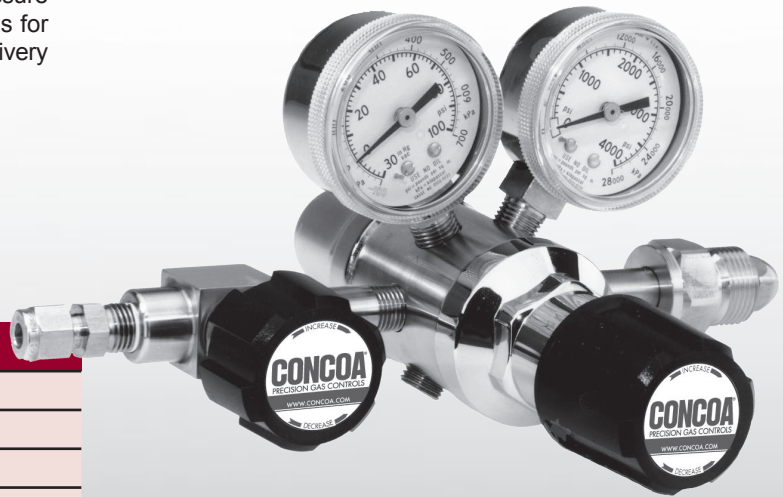
312 SERIES

The 312 Series regulators are intended for primary pressure control of non-corrosive, high purity or liquefied gases for applications requiring constant pressure control and delivery regardless of supply pressure variations.

- Dual Stage
- Chrome-Plated Brass Barstock Body
- Four Port Configuration
- 316L Stainless Steel Diaphragm

Typical Applications

- EPA Protocol gases
- Gas and liquid chromatography
- High purity carrier gases
- Zero, span, and calibration gases
- High purity chamber pressurization



312 2331-580 shown

Features

- CAPSULE® Seat**
Increased serviceability and life
- 316L Stainless Steel Diaphragm**
No inboard diffusion
- Low Wetted Surface Area**
Minimal purge requirements
- Field-Adjustable Pressure Limit**
Safeguard downstream equipment
- Convolute Diaphragm**
Smooth pressure changes
- Compact Design**
Easily transported and integrated into systems
- Chrome-Plated Brass Barstock Body**
Smooth surface finish
- 10 Micron Filtration in Both Stages**
Fail-safe seat performance
- Pressure Ranges 0-15 to 0-250 PSIG (0-1 to 0-17 BAR)**
Broad range of applications

Materials

- Body**
Chrome-plated brass barstock
- Bonnet**
Chrome-plated die-cast zinc
- Seats**
PCTFE (first stage)
PTFE (second stage)
- Filter**
10 micron sintered bronze
- Diaphragm**
316L stainless steel
- Internal Seals**
PTFE

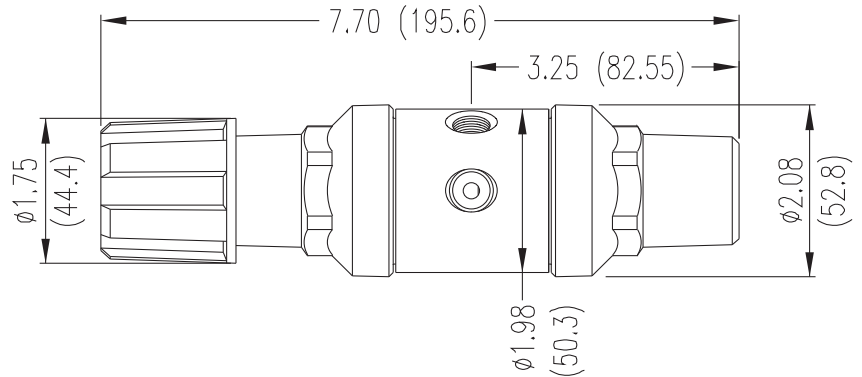
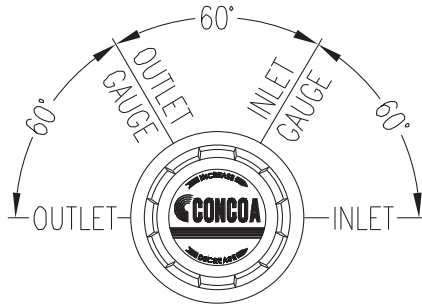
Specifications

- Maximum Inlet Pressure**
3000 PSIG (210 BAR)
3500 PSIG (240 BAR) optional
4500 PSIG (310 BAR) optional
- Temperature Range**
-40°F to 140°F (-40°C to 60°C)
- Gauges**
2" (53mm) diameter chrome-plated brass
- Ports**
1/4" FPT
- Helium Leak Integrity**
1 x 10⁻⁸ scc/sec
- Cv**
0.1
See page 202 for flow curves
- Weight (312 2331-580)**
4.4 lbs. (1.98 kg)

300 Series Regulators



Installation Dimensions



REGULATORS

Ordering Information

312	A	B	C	D	-CON	Options	
Series 312	Outlet Pressure	Outlet Gauge	Inlet Gauge	Outlet Assemblies	Assembly Gauges	Inlet Connections	Installed Options
	1: 0-15 PSIG (0-1 BAR)	30"-0-30 PSIG/ -1-0-2 BAR	0: None	0: 1/4" FPT port	0: Bare body	000: 1/4" FPT	B: Protocol alarm station (110/220 VAC)
	2: 0-50 PSIG (0-3.5 BAR)	30"-0-100 PSIG/ -1-0-7 BAR	3: 0-4000 PSIG/ 0-275 BAR	1: 1/4" MPT	1: Standard assembly (PSIG/kPa gauges)	TF2: 1/8" tube	C: Protocol switchover station
	3: 0-100 PSIG (0-7 BAR)	30"-0-200 PSIG/ -1-0-14 BAR	5: 0-1000 PSIG/ 0-70 BAR	2: 1/4" tube fitting	2: Standard assembly (BAR/PSIG gauges)	TF4: 1/4" tube	H: Protocol switchover station with alarm (110/220 VAC)
	4: 0-250 PSIG (0-17 BAR)	0-400 PSIG/ 0-27 BAR	6: 0-300 PSIG/ 0-21 BAR	3: Diaphragm valve 1/4" tube fitting		TF6: 3/8" tube	M: Protocol station
	7: 0-150 PSIG (0-10 BAR)	30"-0-200 PSIG/ -1-0-14 BAR	7: 0-400 PSIG/ 0-27 BAR	4: Diaphragm valve 1/4" MPT		M06: 6mm tube	Q: Protocol purge station*
			8: 0-6000 PSIG/ 0-405 BAR*	5: Needle valve 1/4" MPT		CGA DIN 477 BS 341 and others available	T: Tee purge*
			G: 0-4000 PSIG/ 0-275 BAR [†]	6: 1/8" tube fitting			<i>*Not available with 4500 PSIG (310 BAR) max inlet pressure</i>
			<i>*Maximum inlet pressure 4500 PSIG (310 BAR) with PCTFE Seat CAPSULE®</i>	7: 3/8" tube fitting			
				8: Diaphragm valve 1/8" tube fitting			
				9: Diaphragm valve 1/4" FPT			
				A: 3/8" BSP RH fitting			
				B: Diaphragm valve 3/8" tube fitting			
				C: 3/8" BSP LH fitting			
				D: 6mm brass hose barb (not available if A=4 or 5)			
				G: 1/8" stainless steel tube fitting			
				H: 1/4" stainless steel tube fitting			
				M: 6mm tube fitting			
				S: Diaphragm valve 6mm tube fitting			

