



# ALTOS 2

## Cylinder Pressure Alarm

The CONCOA Altos 2 system monitor is designed to report the status of up to two individual points of observation in automatic switchover and fail-safe gas delivery applications. Universal input capability allows the 2.5" LCD screen to display real-time system pressure and configuration for up to two channels using 4-20mA pressure transducers or pressure switches. The status of all inputs is displayed locally with high visibility, multicolor LEDs, turning red when an input exits its normal condition. Three dry contact relay outputs allow the user to access status for each channel and a master alarm, making the Altos 2 an ideal fit for gas delivery installations requiring cylinder pressure monitoring capability



### Features

- Two Input Channels**  
Monitors multiple sources
- 2.5" LCD Display**  
Shows system pressure and configuration
- Customizable System Configuration**  
Application flexibility
- 4-20 mA Pressure Transducer and Pressure Switch Inputs**  
Universal Input Capability
- Dry Contact Relay Outputs**  
Connects to building or auxiliary systems
- Highly Visible Lighted Status Notification**  
Easy to tell status from a distance
- Auto-reset on Cylinder Replenishment**  
No button to push
- Adjustable Alarm Delay up to 40-Minutes**  
Allow for transient events

### Materials

- Enclosure**  
Polycarbonate resin (flame retardant and UV stabilized)
- Cover Assembly**  
Screw closure
- Mounting Assembly**  
Polycarbonate flange

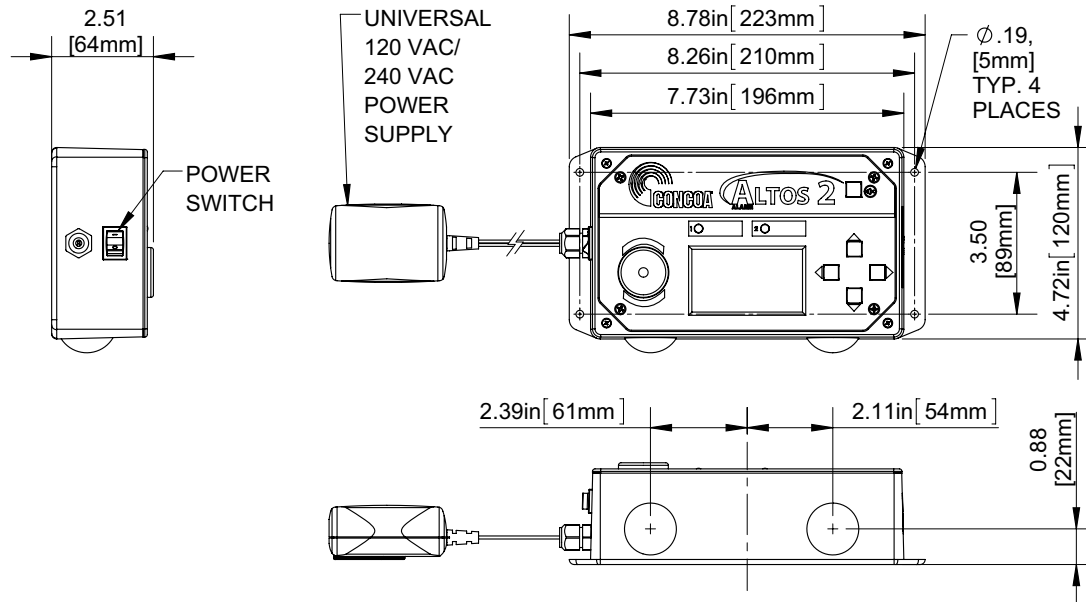
### Specifications

- Audio**  
93db audible alarm
- Power Input**  
100-240 VAC, 50-60 Hz (US, UK, European, Australian, and Chinese adapters included)
- Outputs (3)**  
Dry contacts  
Normally open and normally closed
- Output Contact Rating**  
.5A 24V
- Relay Inputs (2)**  
Dry contacts  
Normally open/normally closed (selectable)
- Dimensions**  
4.72" x 8.7" x 2.5"  
(119.88mm x 221.98mm x 63.5mm)

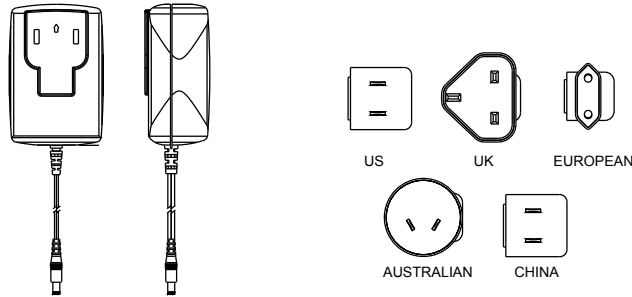
# Alarms



## Installation Dimensions



DISTRIBUTION SYSTEMS



## Ordering Information

Part Number	Description
5750025-01-24V	Altos 2 remote alarm (universal input)

## Options

Part Number	Description
529 5340-XX	Input cable assembly for all switchovers using pressure switch gauges except AutoSwitch available in 3', 10', 25', 50', and 100' lengths. "XX" in order number denotes length.
529 5341-XX	Input cable assembly for protocol stations using pressure switch gauges available in 3', 10', 25', 50', and 100' lengths. "XX" in order number denotes length.
529 5342-XX	Input cable assembly for AutoSwitch systems available in 3', 10', 25', 50', and 100' lengths. "XX" in order number denotes length.
529 5343-XX	Intrinsic safety barrier cables for all switchovers except Auto Switch using pressure switch gauges available in 3', 10', 25', 50', and 100' lengths. "XX" in order number denotes length.
529 5344-XX	Intrinsic safety barrier cables for AutoSwitch systems available in 3', 10', 25', 50', and 100' lengths. "XX" in order number denotes length.
529 5345-XX	Intrinsic safety barrier cables for all switchovers and regulators except AutoSwitch using pressure transducers available in 3', 10', 25', 50', and 100' lengths. "XX" in order number denotes length.
529 5346-XX	Intrinsic safety barrier cables for regulators using pressure switch gauges available in 3', 10', 25', 50', and 100' lengths. "XX" in order number denotes length.
529 5312	Intrinsic safety barriers for all switchovers and regulators except AutoSwitch using pressure switches
529 5296	Intrinsic safety barrier for AutoSwitch systems using pressure switches
529 5361	Intrinsic safety barrier for regulators using pressure transducers
529 5362	Intrinsic safety barrier for switchovers using pressure transducers