



Straight Purges

The 502 Series purges are designed for use with high purity gases to ensure system integrity during breakdown of components or during gas source changes.

Purges provide safety by preventing the release of toxic or corrosive gases into the workplace when changing cylinders, corrosion resistance by preventing corrosive or halogen gases from coming into contact with atmospheric moisture, and purity by preventing air from infiltrating high purity systems at the time of cylinder change.



Materials and Specifications

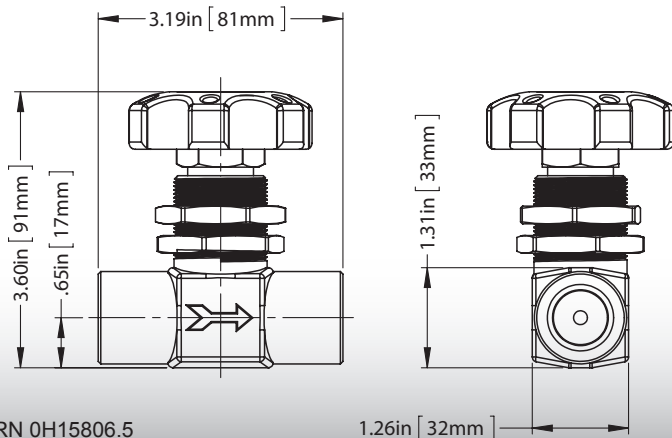
| | |
|------------------|---------------------|
| Seat | PCTFE |
| Diaphragm | Elgiloy® |
| Seals | Metal-to-Metal |
| Check Valve Seat | Viton® |
| Cv | 0.17 |
| Maximum Pressure | 3000 PSIG (210 BAR) |

Ordering Information

| Order No. | Body Material | Purge Type | Weight |
|-----------|----------------------|----------------|--------------------|
| 502 1002 | Brass | Straight purge | 1.2 lbs. (0.54 kg) |
| 502 1005 | 316L stainless steel | Straight purge | 1.2 lbs. (0.54 kg) |

High Flow Diaphragm Valves

The 533 Series high flow diaphragm valves are ideal for primary or pipe line control in high purity or corrosive gas services. The forged 316L stainless steel body and metal-to-metal diaphragm seal ensure leak tight integrity at higher pressures. The ergonomic round knob, special diaphragm material and spring design ensure easy operation at high pressure and a high cycle life over a broad temperature range. With a positive seat shutoff, panel mount as standard and a directional flow arrow signifying recommended primary flow, the 533 Series is ideal for integrating into high flow systems.



CRN 0H15806.5

Materials and Specifications

| | |
|------------------------------------|--------------------------------|
| Maximum Inlet Pressure | 3500 PSIG (240 BAR) @70°F |
| Maximum Differential Back Pressure | 3000 PSIG (210 BAR) |
| Temperature Range | -65°F to 150°F (-54°C to 65°C) |
| Helium Leak Integrity | 2x10 ⁻⁸ scc/sec |
| Body | Forged 316L stainless steel |
| Diaphragms | Elgiloy® |
| Seats | PCTFE |
| Seals | Metal-to-metal |
| Cv | 0.30 |
| Panel Mount Hole | 1.25" (31.75 mm) |

Ordering Information

| Order No. | Inlet Connection | Outlet Connection | Body |
|-----------|------------------|-------------------|----------------------|
| 533 8002 | 1/2" MPT | 1/2" FPT | 316L stainless steel |
| 533 8008 | 1/2" FPT | 1/2" FPT | 316L stainless steel |