



100 Series Regulators



- Single Stage
- Forged Brass Body
- PTFE-Lined Diaphragm
- Five Port Configuration



109 6504 shown

The 109 Series regulators are intended for pressure control of general purpose laboratory gases where minor fluctuations in outlet pressure due to diminishing inlet supply pressure can be tolerated.

Typical Applications

- Purging
- Pressure testing
- Blanketing
- Chamber pressurization

Features

Capsule® Seat

Increased serviceability and life

PCTFE-Lined Neoprene Diaphragm

Sensitive to downstream conditions

Forged Body

Durable, long-lasting construction

Field-Adjustable Pressure Limit

Safeguard downstream equipment

Integral Relief Valve

Diaphragm and gauge protection

High Flow Capacity

Supply multiple user locations

Forged Brass Body

Economical high purity design

Pressure Ranges 0-15 to 0-200 PSIG

Broad range of applications

Materials

Body

Forged brass

Bonnet

Brass-plated die cast zinc

Seat

PTFE

Filter

10 micron sintered bronze

Diaphragm

PTFE-lined Neoprene

Internal Seals

PTFE

Specifications

Maximum Inlet Pressure

3000 PSIG (210 BAR)

Temperature Range

-40°F to 140°F (-40°C to 60°C)

Gauges

2 1/2" diameter brass

Ports

1/4" FPT

Helium Leak Integrity

1 x 10⁻⁸ scc/sec

Cv

0.2

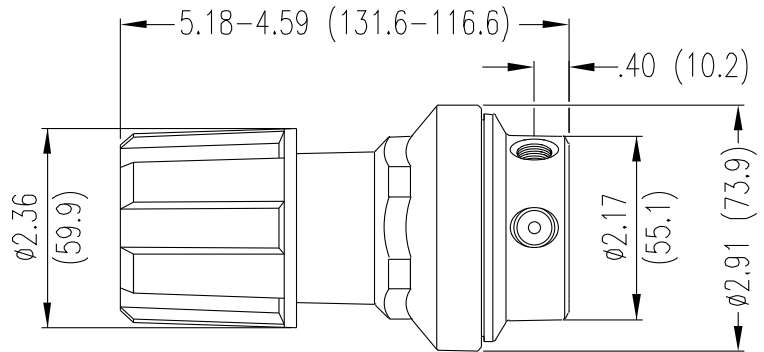
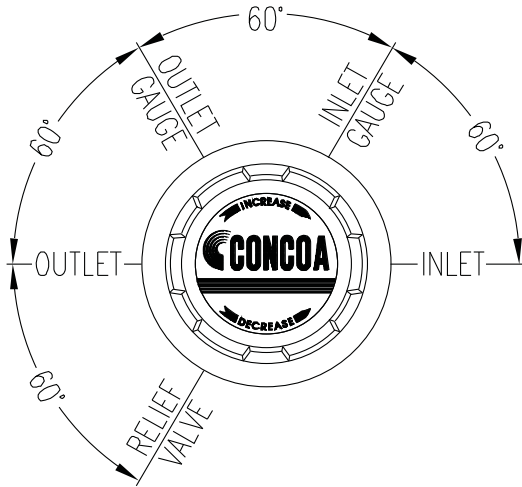
Weight (109 6513-580)

3.3 lbs. (1.5 kg)

100 Series Regulators



Installation Information



Ordering Information

Order No. (109 Series Single Stage)	Outlet Pressure	Outlet Gauge	Inlet Gauge	Outlet Assembly
109 6501-CGA	0-15 PSIG	0-30 PSIG	0-4000 PSIG	1/4" tube fitting
109 6502-CGA	0-15 PSIG	0-30 PSIG	0-4000 PSIG	Needle valve 1/4" MPT
109 6504-CGA	0-40 PSIG	0-60 PSIG	0-4000 PSIG	1/4" tube fitting
109 6505-CGA	0-40 PSIG	0-60 PSIG	0-4000 PSIG	Needle valve 1/4" MPT
109 6512-CGA	0-120 PSIG	0-200 PSIG	0-4000 PSIG	1/4" tube fitting
109 6513-CGA	0-120 PSIG	0-200 PSIG	0-4000 PSIG	Needle valve 1/4" MPT
109 6520-CGA	0-200 PSIG	0-400 PSIG	0-4000 PSIG	1/4" tube fitting
109 6521-CGA	0-200 PSIG	0-400 PSIG	0-4000 PSIG	Needle valve 1/4" MPT

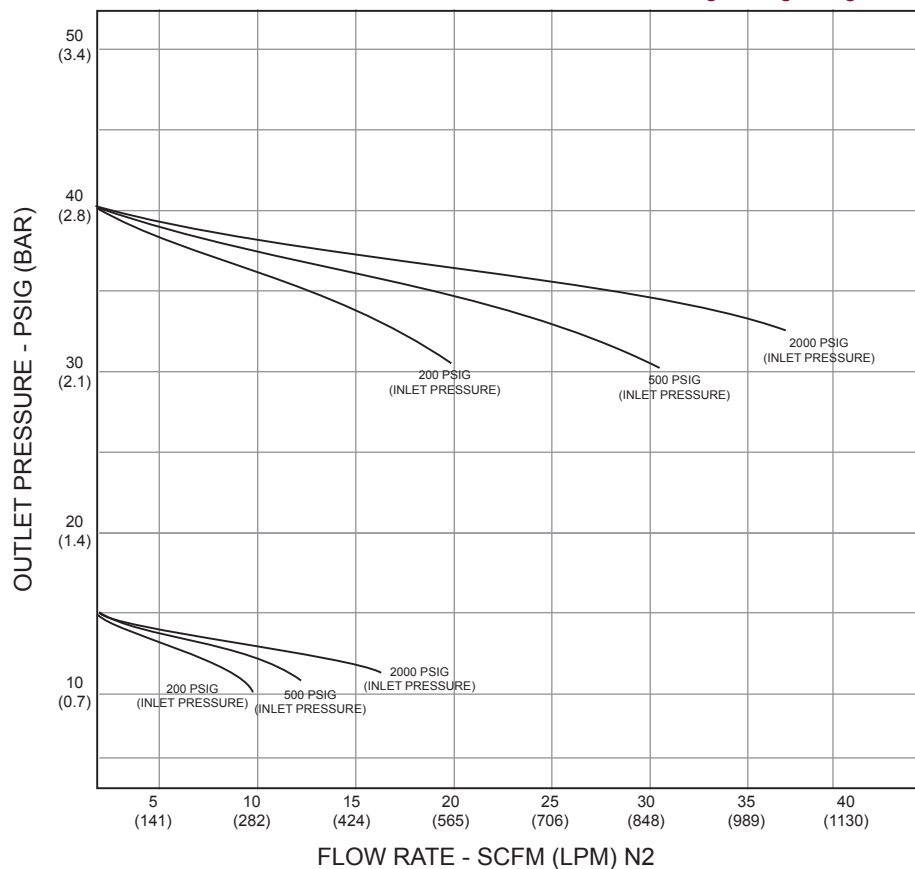
Related Options

Options	Order No.	Description
Protocol station	Add letter "M" after inlet	Convenient regulator wall mount, including tee, bracket, and flexible Stainless Steel hose with check valve in the inlet gland
Protocol purge station	Add letter "Q" after inlet	Convenient regulator wall mount with purge

100 SERIES

Flow Curves for 109, 202 Series Single Stage Regulators

109 & 202 Series Single Stage Regulator



109 & 202 Series Single Stage Regulator

