



# 400 Series Regulators



- Single Stage
- Piston-Sensed
- Ultra-High Pressure
- 316L Stainless Steel Barstock Body



The 493 Series regulators are intended for primary pressure control of non-corrosive gases at a maximum inlet pressure of 6000 PSIG.

### Typical Applications

- Airplane strut charging
- Research and development laboratories
- Chemical manufacturing
- Aerospace hydraulic systems
- Pharmaceutical manufacturing
- Gauge calibration

493 5952 shown

## Features

- Large Piston Sensor**  
Safely control pressures to 6000 PSIG
- Capsule® Seat**  
Increased serviceability and life
- Low Wetted Surface Area**  
Minimal purge requirements
- Field-Adjustable Pressure Limit**  
Safeguard downstream equipment
- 316 Stainless Steel Barstock Body**  
Smooth surface finish
- Front and Rear Panel-Mountable**  
Versatile system configuration
- Pressure Ranges 0-750 to 0-6000 PSIG**  
Broad range of applications
- Six Port Design**  
Flexible installation alternatives

## Materials

- Body**  
316L stainless steel barstock
- Bonnet**  
304 stainless steel
- Seat**  
PCTFE (3000 and 4500 PSIG inlet)  
Arlon® (PEEK) (6000 PSIG inlet)
- Piston**  
316L stainless steel
- Filter**  
Patented 10 micron 316 mesh
- Internal Seals**  
Viton®

Not for N<sub>2</sub>O, or CO<sub>2</sub>

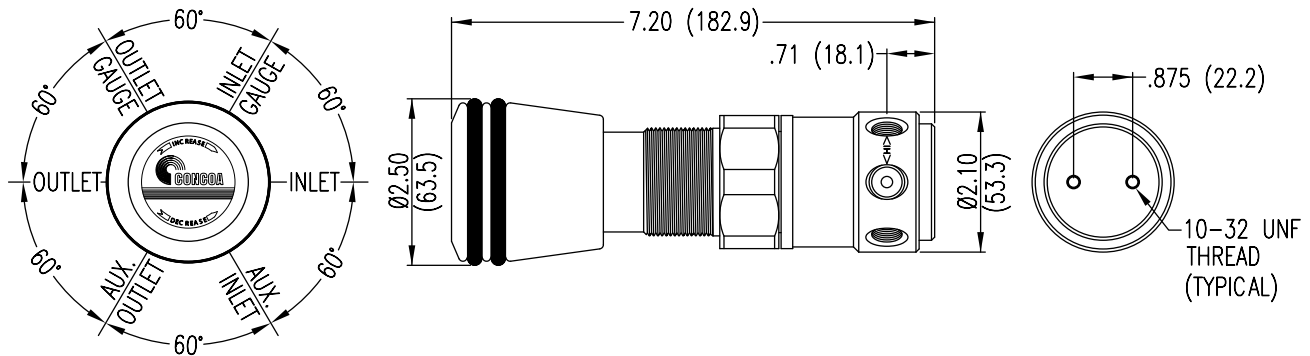
## Specifications

- Maximum Inlet Pressure**  
6000 PSIG (415 BAR)
- Temperature Range**  
-40°F to 140°F (-40°C to 60°C)
- Gauges**  
2 1/2" diameter stainless steel
- Ports**  
1/4" FPT
- Cv**  
0.1
- Weight (493 5951-677)**  
4.64 lbs. (2.10 kg)

# 400 Series Regulators



## Installation Information



400 SERIES

## Ordering Information

493	A	B	C	D	-CON	Options		
Series 493	Outlet Pressure	Outlet Gauge	Inlet Maximum	Inlet Gauge	Outlet Assemblies	Assembly Gauges	Inlet Connections	Installed Options
	<b>1:</b> 0-750	0-1000 PSIG	<b>0:</b> 6000 PSIG*	None	<b>0:</b> 1/4" FPT	<b>0:</b> Bare body†	CGA DIN 477 BS 341 and others available	<b>A:</b> Protocol alarm station (110V)
	<b>2:</b> 0-1500	0-4000 PSIG	<b>3:</b> 3000 PSIG	0-4000 PSIG	<b>1:</b> 1/4" MPT	<b>1:</b> Standard assembly (PSIG/kPa gauges)		<b>B:</b> Protocol alarm station (220V)
	<b>3:</b> 0-2500	0-4000 PSIG	<b>8:</b> 5500 PSIG	0-6000 PSIG	<b>2:</b> 1/4" tube fitting	<b>2:</b> Standard assembly (BAR/PSIG gauges)		<b>C:</b> Protocol switchover station
	<b>4:</b> 0-4500*	0-6000 PSIG	<b>9:</b> 6000 PSIG	0-10,000 PSIG	<b>5:</b> Needle valve 1/4" MPT	<i>†B must be 3, 8 or 9 (maximum pressure specified)</i>		<b>G:</b> Protocol switchover station with alarm (110V)
	<b>5:</b> 0-6000†	0-10,000 PSIG	<i>* Only valid if D=1 or 2 (outlet gauge specified)</i>		<b>6:</b> 1/8" tube fitting			<b>H:</b> Protocol switchover station with alarm (220V)
	<b>6:</b> 0-3500*	0-6000 PSIG			<b>7:</b> 3/8" tube fitting			<b>M:</b> Protocol station
	<i>*Not available with 3000 PSIG maximum inlet pressure</i>				<b>F:</b> Needle valve 1/4" tube fitting			<b>Q:</b> Protocol purge station (3000 PSIG maximum inlet only valid if B=3)
	<i>†Only available with 6000 PSIG maximum inlet pressure</i>				<b>M:</b> 6mm tube fitting			
<i>Note: Outlet fittings and outlet valves are 316 Stainless Steel</i>								

## Related Options

Options	Order No.	Description
Panel Mount Kit	830 6483	To mount the regulator using bonnet threads. Material: Chrome-plated brass

# Flow Curves for 492, 493 Series Regulators

