



500 Series Distribution Systems

529

Protocol Switchover Alarm Station

The 529 Series Protocol Switchover Alarm combines all of the features of the Protocol Switchover Station with the added security of a remote alarm system. The Protocol Switchover Alarm will provide an audible/visible warning when a cylinder is nearly depleted. The system comes complete with Protocol Switchover Station, two 3-foot all stainless steel hoses with armor casing, two valves (diaphragm for 3000 PSIG or needle for 4500 or 6000 PSIG), and remote alarm.



529 0156G shown with regulator and cable assembly (sold separately)

Ask About Our

**EXTENDED
WARRANTY**

On This CONCOA Product

Features

- Plugged Port in Gas Block**
Facilitates purging
- Integral Check Valve at Inlet**
No internal contamination during cylinder change
- Bracket Mounts**
Attaches conveniently to any surface
- Pressure Switch Gauge**
Provides visible warning of cylinder depletion
- Remote Alarm**
Provides audible and visible warning of cylinder depletion
- Connections**
CGA, DIN 477, BS 341 and others available

Materials

- Protocol Tee**
Brass, chrome-plated brass or 316L stainless steel barstock
- Flexible Hoses**
316L stainless steel inner core
Monel® inner core for oxygen service
PTFE inner core for 6000 PSIG
- Inlet Connection**
316L stainless steel or brass barstock
- Check Valve "O" Ring**
Viton®
- Bracket**
304 stainless steel

Specifications

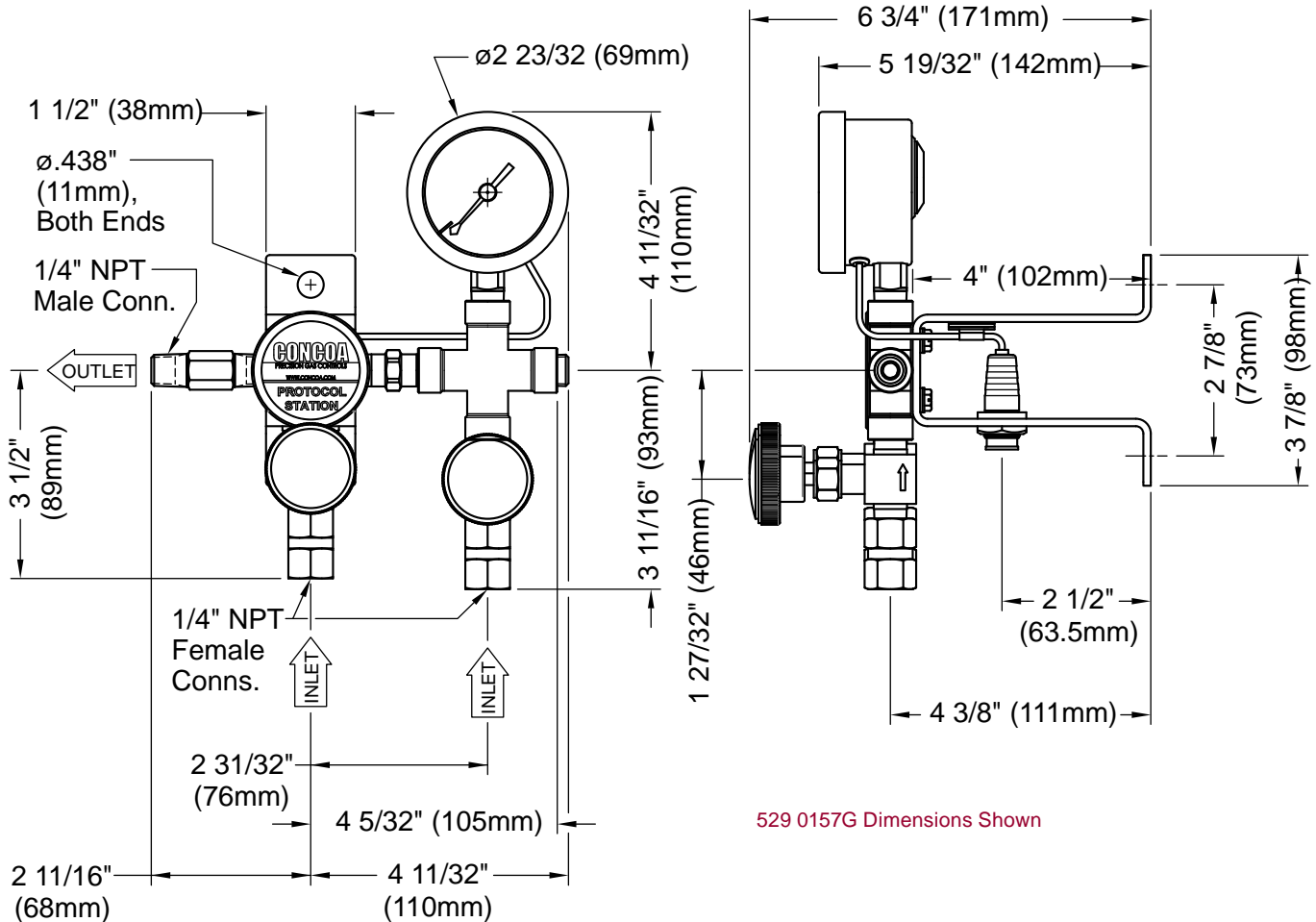
- Maximum Inlet Pressure**
3000 PSIG (210 BAR)
4500 PSIG (310 BAR) optional
6000 PSIG (415 BAR) optional
- Temperature Range**
-40°F to 140°F (-40°C to 60°C)
- Weight (Single Stage)**
4.4 lbs. (2 kg)
- Weight (Dual Stage)**
4.8 lbs. (2.2 kg)
- Intrinsic Safety Barriers**
Required for flammable gas service or for use in hazardous environments

CRN OH 5216.5C

500 Series Distribution Systems



Installation Dimensions



Ordering Information

Order Number	Description
Add letter "G" after any regulator order number	For example, to order a 422 1331-580 with a 110V protocol switchover alarm, the order number would be 422 1331-580G
Add letter "H" after any regulator order number	For example, to order a 422 1331-580 with a 220V protocol switchover alarm, the order number would be 422 1331-580H
To order separately:	
529 0151-CON	110V protocol switchover alarm for brass regulators with max inlet 600 PSIG
529 0152-CON	110V protocol switchover alarm for chrome-plated brass regulators with max inlet 600 PSIG
529 0153-CON	110V protocol switchover alarm for 316L stainless steel regulators with max inlet 600 PSIG
529 0154-CON	110V protocol switchover alarm for brass regulators with max inlet 3000 PSIG
529 0155-CON	110V protocol switchover alarm for chrome-plated brass regulators with max inlet 3000 PSIG
529 0156-CON	110V protocol switchover alarm for 316L stainless steel regulators with max inlet 3000 PSIG
529 0157-CON	110V protocol switchover alarm for brass regulators with max inlet 4500 PSIG
529 0158-CON	110V protocol switchover alarm for chrome-plated brass regulators with max inlet 4500 PSIG
529 0159-CON	110V protocol switchover alarm for 316L stainless steel regulators with max inlet 4500 PSIG
529 0160-CON	110V protocol switchover alarm for 316L stainless steel regulators with max inlet 6000 PSIG