



500 Series Distribution Systems

AutoSwitch GL

The 537 AutoSwitch GL is a continuous gas delivery system for high purity gas service that automatically changes cylinder or bank priority from a cryogenic sources to a reserve bank of high pressure cylinders without transmitting pressure fluctuations to the use line.



Typical Applications

- Primary cryogenic high purity gas supply
- ICP and ICP mass spec support gases
- Incubator CO₂ and Nitrogen central supply system
- Pure cryogenic process gas supply
- Central gas supply system for laboratory, research or process plants

537 0000 shown

Ask About Our

**EXTENDED
WARRANTY**

On This CONCOA Product

Features

- 400 Series 316L Stainless Components**
Capsule® seat
- Metal to Metal Seals**
No possibility of gas contamination
- Integral Line Regulator**
Stable line pressure during change over
- Variable Line Pressure**
Line pressure changeable on site
- Preset Switching Pressure**
Prevents tampering or adjustment
- Integral Manifold System**
Easy installation
- Optional Alarms**
Advantium 8 Monitors Up to 4 Systems
Advantium 2 PLUS Monitors 1 System
- Intrinsic Safety Barriers**
For use in Hazardous Areas
Class 1, Div. 1, Group A, B, C, or D

Materials

- Priority Valve**
316L stainless steel barstock
- Line Regulator**
316L stainless steel barstock
- Diaphragms**
316L stainless steel
- Enclosure**
Acrylic powder-coated steel
- Tubing and Fittings**
316L stainless steel
- Internal Seats and Seals**
PTFE
- Pressure Gauges and Switches**
316L stainless steel
- Check Valves**
316L stainless steel with Viton® seal

Specifications

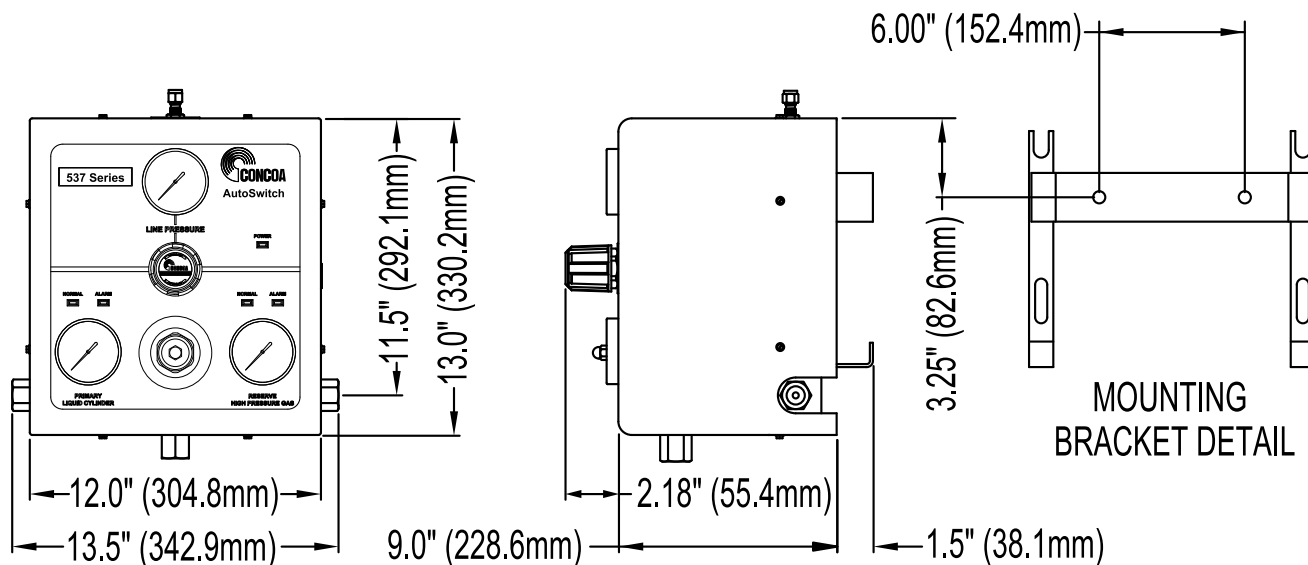
- Maximum Inlet Pressure**
3000 PSIG (210 BAR)
- Temperature Range**
-40°F to 140°F (-40°C to 60°C)
- Maximum Flow (100 PSIG)**
400 SCFH (190 LPM)
- Cv**
0.1
- Inlet Connection**
1/2" FPT
- Outlet Connection**
1/4" stainless steel compression tube
- Helium Leak Integrity**
1 x 10⁻⁸ scc/sec
- Weight**
40 lbs. (18 kg)

CRN OH 5216.5C

500 Series Distribution Systems



Installation Information



Ordering Information

537	A	B	C	D	-CON
Series 537	Outlet Pressure	Liquid Cylinders (Primary)	High Pressure (Reserve)	Assembly	Hose
	2: 0-50 PSIG	0: No inlet connection	0: No inlet connection	1: Without alarm capability	Please specify inlet connection (if applicable)
	3: 0-100 PSIG	1: One cylinder*	1: One cylinder*	4: With alarm capability* (alarm sold separately)	CGA DIN 477 BS 341 and others available
	7: 0-150 PSIG	2: Two cylinders†	2: Two cylinders†		
		3: Three cylinders†	3: Three cylinders†		
		4: Four cylinders†	4: Four cylinders†		
		<i>* Includes 36" flexible hose and diaphragm valve</i>	5: Five cylinders†	<i>*Intrinsic safety barriers are required for use in hazardous environments.</i>	
		<i>† Each manifold header includes 36" flexible hose, manifold extensions and mounting hardware</i>	6: Six cylinders†		
			<i>* Includes 36" flexible hose and diaphragm valve</i>		
			<i>† Each manifold header includes 24" flexible hose, manifold extensions and mounting hardware</i>		

Options

Option	Order Number	Description
Remote Alarm	Advantium Series	Provides audible and visible notification of a depleted supply bank to a remote location