

MANIFOLDS



629 SERIES MICROMANIFOLD

The 629 Series MicroManifold is a flexible gas distribution system that can be configured as a gas or vent manifold. Configured as a gas manifold, the 629 offers excellent gaseous flow capacity from either liquid or high-pressure cylinders to a CONCOA pressure control device. Configured as a vent manifold, the 629 equalizes the head space pressure of each liquid cylinder manifolded together. This allows each cylinder to withdraw equally and operate at maximum flow capacity with minimal losses.

Advanced Features

Vent Manifold Excess Flow Orifices

Prevents hoses from whipping

Safety Disk

Protects manifold from over pressurization

Compact Modular Design

Provides simple field expandability

Multiple Cylinder Hose Options

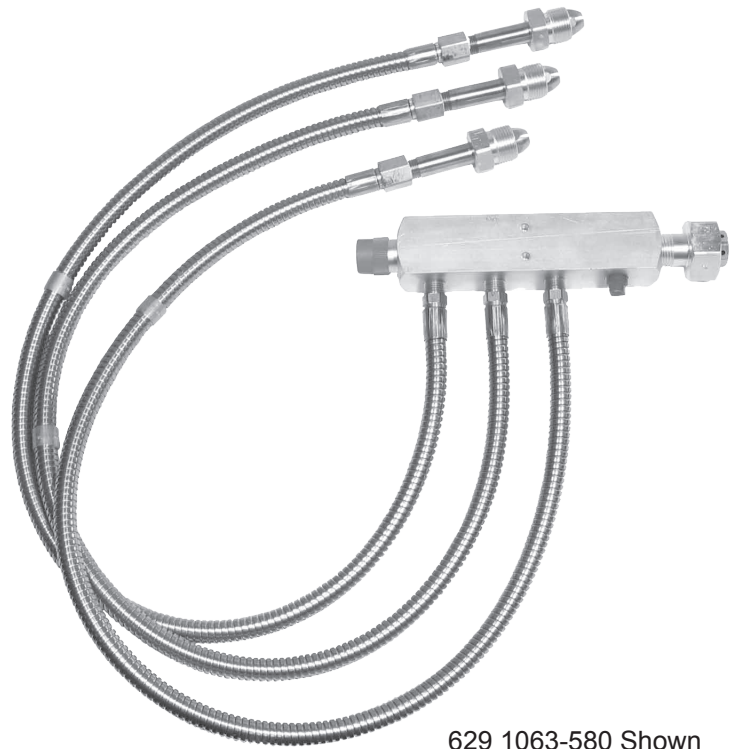
Universal gas compatibility

Integrated 1/2" MNPT Connector

Reduces potential leak sites

Flexible Design

Can be used with a 600 Series switchover or a 623 Series delivery system



629 1063-580 Shown

Applications

Cryogenic Laser Assist

Nitrogen
Oxygen

High-flow Blanketing

Carbon Dioxide
Inert gases

Gas Blending

Argon primary supply

Materials

Manifold Block

Brass barstock

Flexible Hose

Rigid brass
Rigid copper
Stainless steel

Flexible Hose Core

Brass, copper, stainless steel, PTFE

Specifications

Maximum Inlet Pressure

4500 PSIG (310 BAR)

Temperature Range

-320°F to 165°F (-195°C to 75°C)

Inlet Connections

1/4" FNPT

Outlet Connections

1/2" MNPT

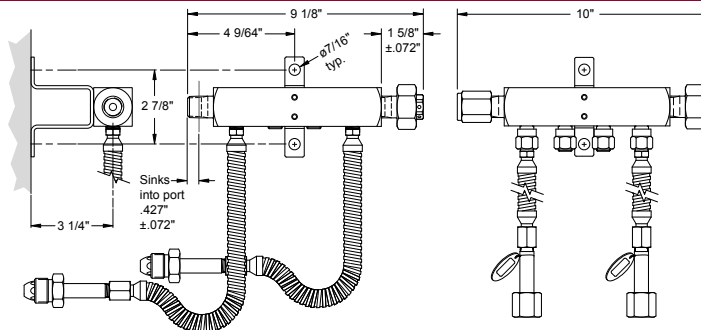
Weight (manifold & bracket)

14.5 lbs. (6.58kg.)

MANIFOLDS



System Diagram



DISTRIBUTION SYSTEMS

Ordering Information

Series	Manifold Type (Gauge)	Orientation	Hose Style	Stations/Side	-Cylinder Connection	Options
629	1: Gas MicroManifold (No Gauges)	0: Simplex right bank	0: No hoses	1: One	Please specify inlet connection	F: Flashback Arrestor
	2: Vent MicroManifold (No Gauges)	1: Simplex left bank	1: 36" Rigid Brass*	2: Two	Use -.001 for hose style 0.	
	3: Gas MicroManifold (0-400 PSIG/0-2500 kPa gauges)	2: Duplex right and left bank	2: 24" Rigid Copper*	3: Three	CGA DIN 477 BS 341 and others available	
	4: Gas MicroManifold (0-600 PSIG/0-40 BAR gauges)	3: Simplex right bank with pressure switch gauge*	3: 72" Flexible Stainless Steel Core and Armor Cased*	4: Four	Use CGA 295, 440, or 622 for hose style A	
	5: Gas MicroManifold (0-4000 PSIG/0-2500 kPa gauges)	4: Simplex left bank with pressure switch gauge*	4: 24" Flexible Stainless Steel-Braided with PTFE Core*	5: Five	PTFE-lined hoses for Oxygen service include accumulator extensions to prevent ignition from adiabatic compression.	
	6: Gas MicroManifold (0-4000 PSIG/0-280 BAR gauges)	5: Duplex right and left bank with pressure switch gauge*	5: 36" Flexible Stainless Steel Core and Armor Cased*	6: Six		
	7: Gas MicroManifold (0-6000 PSIG/0-40,000 kPa gauges)		6: 36" Flexible Stainless Steel-Braided with PTFE Core*	7: Seven	PTFE-lined hoses not for use with Helium or Hydrogen.	
	8: Gas MicroManifold (0-6000 PSIG/0-420 BAR)		7: 24" Flexible Stainless Steel Core and Armor Cased*	8: Eight		
			9: 72" Flexible Stainless Steel-Braided with PTFE Core*			
			A: 72" Flexible Stainless Steel-Braided with PTFE Core†			
			C: 24" Flexible Stainless Steel-Braided with PTFE Core*			
			D: 36" Flexible Stainless Steel-Braided with PTFE Core*			
			E: 72" Flexible Stainless Steel-Braided with PTFE Core*			
		K: 72" Flexible Stainless Steel Core and Armor Cased 4,500 PSI**				
		L: 36" Flexible Stainless Steel Core and Armor Cased 4,500 PSI**				
	*Valid with Manifold Type 4, 6, and 8	*Valid with Manifold Type 1, 3, 4, 5, and 6 †Valid with Manifold Type 2 **Valid with Manifold Type 7 or 8				

Related Options

Part Number	Option	Description
829 9960	Burst Disk Kit	1/2" MNPT replacement burst disk kit
829 9961	Gas Extension Kit	Four cylinder manifold extension block with mounting hardware
829 9962	Vent Extension Kit	Four cylinder vent manifold extension block with mounting hardware
830 7437	Floor Stand	Single manifold floor stand provides support for up to two consecutive manifold extensions
92250008	Plug	1/4" MNPT brass hex head plug