

# SYSTEM MONITORS



## ALTOS 2 CYLINDER PRESSURE ALARM

The CONCOA Altos 2 system monitor is designed to report the status of up to 2 individual points of observation in automatic switchover and fail-safe gas delivery applications. Universal input capability allows the 2.5" LCD screen to display real-time system pressure and configuration for up to 2 channels using 4-20mA pressure transducers or pressure switches. The status of all inputs is displayed locally with high visibility, multicolor LEDs turning red when an input exits its normal condition. Three dry contact relay outputs allow the user to access status for each channel and a master alarm, making the Altos 2 an ideal fit for gas delivery installations requiring pressure switch or transducer pressure monitoring capability.



### Features

#### Two Input Channels

Monitors multiple sources

#### 2.5" LCD Display

Shows system pressure and configuration

#### Customizable System Configuration

Application flexibility

#### 4-20 mA Pressure Transducer and Pressure Switch Inputs

Universal input capability

#### Dry Contact Relay Outputs

Connects to building or auxiliary systems

#### Highly Visible Lighted Status Notification

Easy to tell status from a distance

#### Auto-rest on Cylinder Replenishment

No button to push

#### Adjustable Alarm Delay up to 40-Minutes

Allow for transient events

### Materials

#### Enclosure

Flame retardant ABS

#### Cover Assembly

Screw closure

#### Mounting Assembly

ABS flange

### Specifications

#### Audio

93dB audible alarm

#### Power Input

90-264 VAC, 50-60 Hz (US, UK, European, Australian, and Chinese adapters included)

#### Outputs (3)

Dry contacts

Normally open/normally closed (selectable)

#### Output contact rating

.5A 24V

#### Relay Inputs (2)

Dry contacts

Normally open/normally closed (selectable)

#### Dimensions

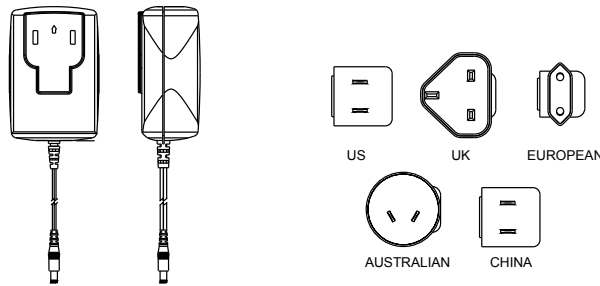
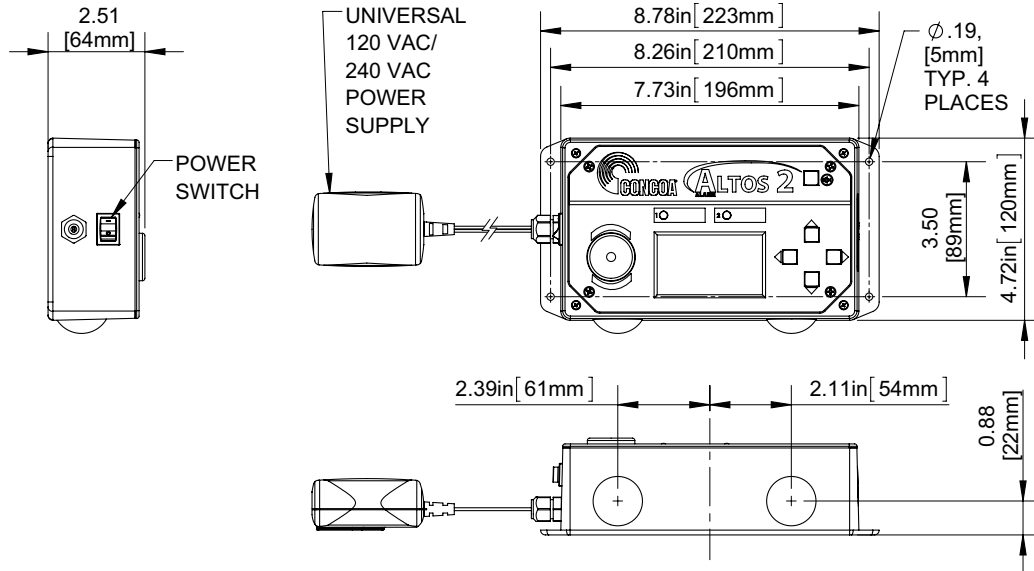
4.72" x 8.7" x 2.5"

(119.88mm x 221.98mm x 63.5mm)

# SYSTEM MONITORS



## Installation Dimensions



DISTRIBUTION SYSTEMS

## Ordering Information

Part Number	Description
575 0025-01-000	Altos 2 remote alarm (universal input)

## Options

Part Number	Description
529 5340-XX	Input cable assembly for all switchovers using pressure switch gauges except AutoSwitch available in 3', 10', 25', 50', and 100' lengths. "XX" in order number denotes length.
529 5341-XX	Input cable assembly for protocol stations using pressure switch gauges available in 3', 10', 25', 50', and 100' lengths. "XX" in order number denotes length.
529 5342-XX	Input cable assembly for AutoSwitch systems available in 3', 10', 25', 50', and 100' lengths. "XX" in order number denotes length.
529 5343-XX	Intrinsic safety barrier cables for all switchovers except Auto Switch using pressure switch gauges available in 3', 10', 25', 50', and 100' lengths. "XX" in order number denotes length.
529 5344-XX	Intrinsic safety barrier cables for AutoSwitch systems available in 3', 10', 25', 50', and 100' lengths. "XX" in order number denotes length.
529 5345-XX	Intrinsic safety barrier cables for all switchovers and regulators except AutoSwitch using pressure transducers available in 3', 10', 25', 50', and 100' lengths. "XX" in order number denotes length.
529 5346-XX	Intrinsic safety barrier cables for regulators using pressure switch gauges available in 3', 10', 25', 50', and 100' lengths. "XX" in order number denotes length.
529 5312	Intrinsic safety barriers for all switchovers and regulators except AutoSwitch using pressure switches
529 5296	Intrinsic safety barrier for AutoSwitch systems using pressure switches
529 5361	Intrinsic safety barrier for regulators using pressure transducers
529 5362	Intrinsic safety barrier for switchovers using pressure transducers