

SPECIAL PURPOSE REGULATOR



6200 SERIES

Ultra High-flow Dome Load

The 6200 Series ultra-high-flow, high-pressure dome loaded regulator is designed to provide adjustable control of industrial gases delivered from cryogenic sources or in applications requiring outlet pressures up to 2000 PSIG. The dome-loaded, balanced stem seat design enables flow rates up to 10,000 SCFH while also providing constant delivery flow and pressure regardless of supply source inlet pressure fluctuations. Combined with CONCOA's broad line of industrial pilot regulators, the 6200 Series is the ideal choice for high-flow, high-pressure, or cryogenic source applications.

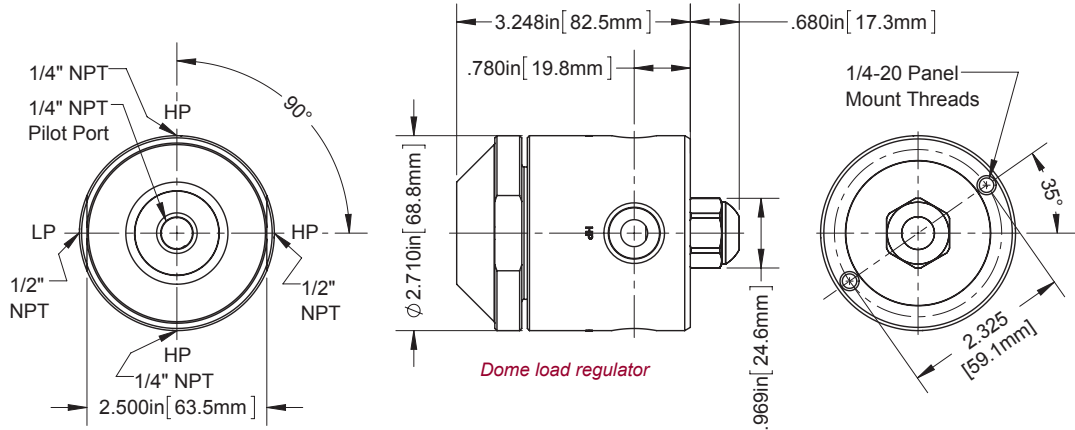


Features	Materials of Construction	Specifications
Delivery Options up to 2000 PSIG Liquid or high-pressure use	Dome Load Regulator Body Brass barstock	Max Inlet Pressure Chloroprene 3000 PSIG (210 BAR) Viton 3000 PSIG (210 BAR) PCTFE 5500 PSIG (310 BAR)
40-Micron Filtration Extended lifecycle	Dome Load Regulator Bonnet Brass barstock	Temperature Range Chloroprene -40 to 140°F (-40 to 60°C) Viton -40 to 140°F (-40 to 60°C) PCTFE -40 to 150°F (-40 to 66°C)
Panel Mountable Flexible installation	Dome Load Regulator Seat Chloroprene (3000 PSIG inlet diaphragm) Viton® (3000 PSIG inlet cartridge) PCTFE (4500 PSIG inlet cartridge)	Cv .2
Low Static Design Improves performance with cryogenics	Dome Load Regulator 40-Micron Inlet Filter 316L stainless steel	Conformances CGA E-4
Diaphragm and Cartridge Sensed Versions Application flexibility	Pilot Regulator Body Brass barstock	
	Pilot Regulator Bonnet Brass barstock	
	Pilot Regulator Seat PCTFE (4500 PSIG inlet version) PTFE (3000 PSIG inlet version)	
	Pilot Regulator 25-Micron Inlet Filter Bronze	

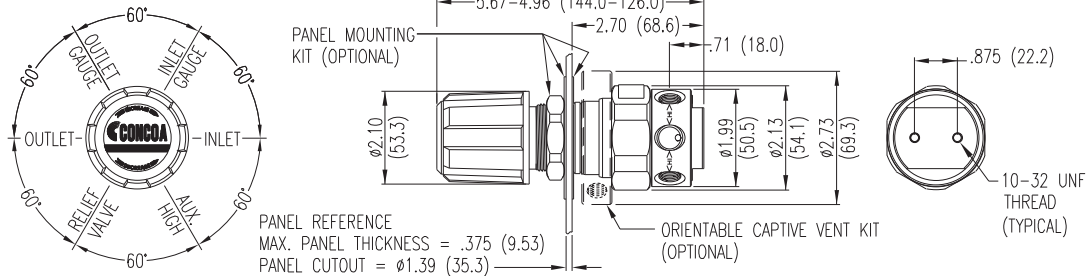
SPECIAL PURPOSE REGULATOR



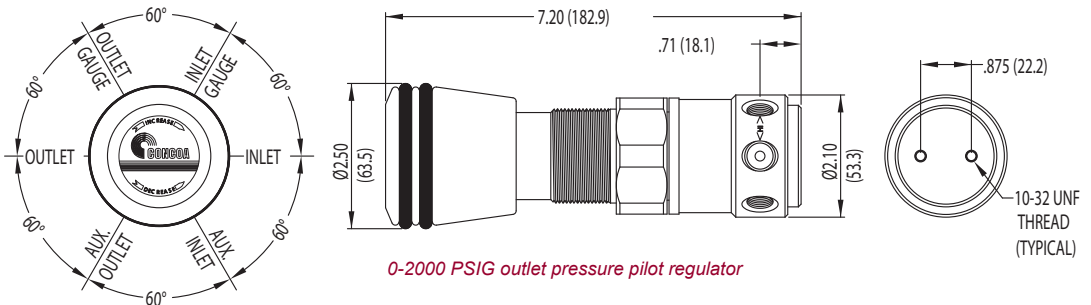
Installation Dimensions



Dome load regulator



0-250 PSIG outlet pressure pilot regulator



0-2000 PSIG outlet pressure pilot regulator

REGULATORS

Ordering Information

Part Number	Description	Seat Material	Max Inlet Pressure	Outlet Pressure
806 6200-01-1	Dome Load Regulator Only	Viton*	3000 PSIG	0-3000 PSIG
806 6201-01-1	Dome Load Regulator Only	Chloroprene	3000 PSIG	0-3000 PSIG
806 6208-01-1	Dome Load Regulator Only	PCTFE	4500 PSIG	0-4500 PSIG
806 6260-01-1	Dome Load and Pilot Regulator	Viton*	3000 PSIG	0-2000 PSIG
806 6261-01-1	Dome Load and Pilot Regulator	Chloroprene	3000 PSIG	0-2000 PSIG
806 6268-01-1	Dome Load and Pilot Regulator	PCTFE	4500 PSIG	0-2000 PSIG
806 6270-01-1	Dome Load and Pilot Regulator	Viton*	3000 PSIG	0-500 PSIG
806 6271-01-1	Dome Load and Pilot Regulator	Chloroprene	3000 PSIG	0-500 PSIG
806 6278-01-1	Dome Load and Pilot Regulator	PCTFE	4500 PSIG	0-500 PSIG
806 6280-01-1	Dome Load and Pilot Regulator	Viton*	3000 PSIG	0-250 PSIG
806 6281-01-1	Dome Load and Pilot Regulator	Chloroprene	3000 PSIG	0-250 PSIG

*Not for use with Carbon Dioxide or Nitrous Oxide