

629 SERIES

Assist
Gas Supply

629 SERIES MANIFOLD



The 629 Series MicroManifold is a flexible gas distribution system that can be configured as a gas or vent manifold. Configured as a gas manifold, the 629 offers excellent gaseous flow capacity from either liquid or high-pressure cylinders to a CONCOA pressure control device. Configured as a vent manifold, the 629 equalizes the head space pressure of each liquid cylinder manifolded together. This allows each cylinder to withdraw equally and operate at maximum flow capacity with minimal losses.

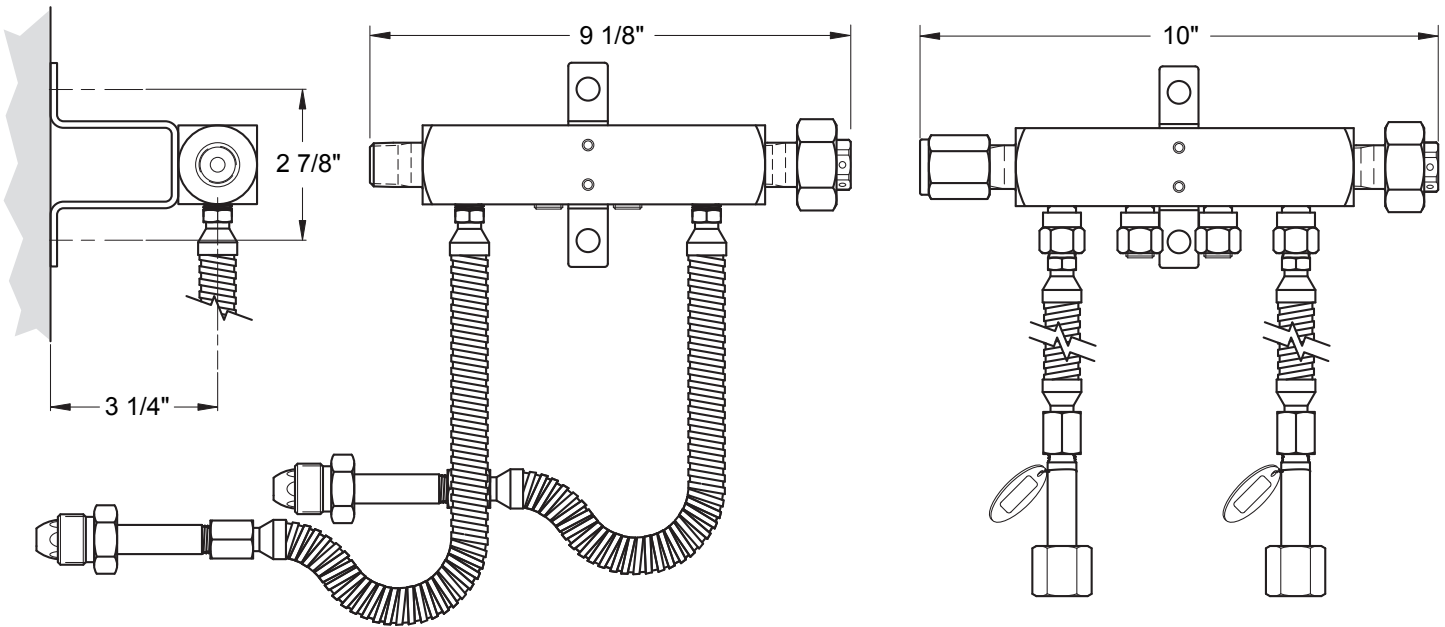
Advanced Features

VENT MANIFOLD EXCESS FLOW ORIFICES	Prevents hose from whipping
SAFETY DISK	Protects manifold from over-pressurization
COMPACT MODULAR DESIGN	Provides simple field expandability
MULTIPLE CYLINDER HOSE OPTIONS	Universal gas compatibility
INTEGRATED 1/2" MPT CONNECTOR	Reduces potential leak sites
FLEXIBLE DESIGN	Can be used with a 600 Series switchover or 623 Series delivery systems

6291163-01-580 shown

Applications	Materials	Specifications
Assist Gas Delivery from Liquid Cylinder Supply Nitrogen Oxygen	Body Brass barstock	Maximum Inlet Pressure 4500 PSIG (310 BAR) Temperature Range 0°F to 140°F (-17°C to 60°C) Inlet Connections Four 1/4" FPT One 1/2" FPT Outlet Connections 1/2" MPT
Assist Gas Delivery from High Pressure Supply Air Nitrogen Oxygen		
Metal Fabrication On-Site Mixing Systems Argon Carbon Dioxide Helium Nitrogen Oxygen		

Installation Dimensions



6291151-580 MicroManifold

62921A2-001 Vent MicroManifold

Ordering Information

629	A	B	C	D	CON	Options
Series 629	Manifold Type (Gauge)	Orientation	Hose Style	Cylinder Per Side	Inlet	Options
	1: MicroManifold (No gauges)	0: Right-hand (simplex)	1: No pigtails	1: One	Please specify inlet connection (Use -001 for hose option 0).	F: Integral hose flashback arrestor
	2: Vent MicroManifold (No gauges)	1: Left-hand (simplex)	2: 36" (900mm) rigid brass	2: Two	CGA	
	3: MicroManifold (400 PSIG/42 BAR)	2: Left and right-hand (duplex)	3: 72" (1800mm) flexible stainless steel core and armor cased	3: Three	DIN 477	
	4: MicroManifold (600 PSIG/4100 kPa)	3: Right-hand with pressure switch (simplex)*	4: 24" (600mm) flexible stainless steel armor with PTFE lining	4: Four	BS 341	and others available
	5: MicroManifold (4000 PSIG/2700 kPa)	4: Left-hand with pressure switch (simplex)*	5: 36" (900mm) flexible stainless steel core and armor cased	5: Five		
	6: MicroManifold (4000 PSIG/280 BAR)	5: Right and left-hand with pressure switch*	6: 36" (900mm) flexible stainless steel armor with PTFE lining	6: Six		
	7: MicroManifold (6000 PSIG/41000 kPa)		7: 24" (600mm) flexible stainless steel core and armor cased	7: Seven		
	8: MicroManifold (6000 PSIG/415 BAR)		9: 72" (1800mm) flexible stainless steel armor with PTFE lining	8: Eight		
			A: 72" (1800mm) flexible stainless steel-braided with PTFE lining (vent manifolds only)	0: Zero		
			C: 24" (600mm) flexible stainless steel-braided with PTFE core			
			D: 36" (900mm) flexible stainless steel-braided with PTFE core			
			E: 72" (1800mm) stainless steel-braided with PTFE core			
			K: 72" (1800mm) flexible stainless steel core and armor cased (4500 PSIG/310 BAR)			
			L: 36" (900mm) flexible stainless steel core and armor cased (4500 PSIG/310 BAR)			

*Required for alarm capability