



400 Series Regulators

429 SERIES

The 429 Series regulators are intended for primary pressure control of the highest purity gases or for applications where minor fluctuations in outlet pressure due to diminishing inlet supply pressure can be tolerated.

- Single Stage
- 316L Stainless Steel Barstock Body
- Four Port Configuration
- Face Seal Connections

Typical Applications

- Semiconductor process gases
- Photovoltaic manufacturing
- Ultra-high purity gases
- Pharmaceutical processing
- Aerospace systems
- Nanotechnology research



429 2241-001 shown

Features

- Metal-to-Metal Diaphragm Seal**
No possibility of gas contamination
- CAPSULE® Seat**
Increased serviceability and life
- Butt-Welded Face Seal Connections**
Highest leak integrity available
- 316L Stainless Steel Barstock Body**
Increased corrosion resistance
- Front and Rear Panel-Mountable**
Versatile system configuration
- 3000 PSIG (210 BAR) Inlet Pressure Rating**
Safe use with high pressure cylinders
- Pressure Ranges 0-15 to 0-500 PSIG (0-1 to 0-34 BAR)**
Broad range of applications

Materials

- Body**
316L stainless steel barstock
- Bonnet**
Chrome-plated brass barstock
- Seat**
PTFE
- Filter**
Patented 10 micron 316 mesh
- Diaphragm**
316L stainless steel
- Internal Seals**
PTFE

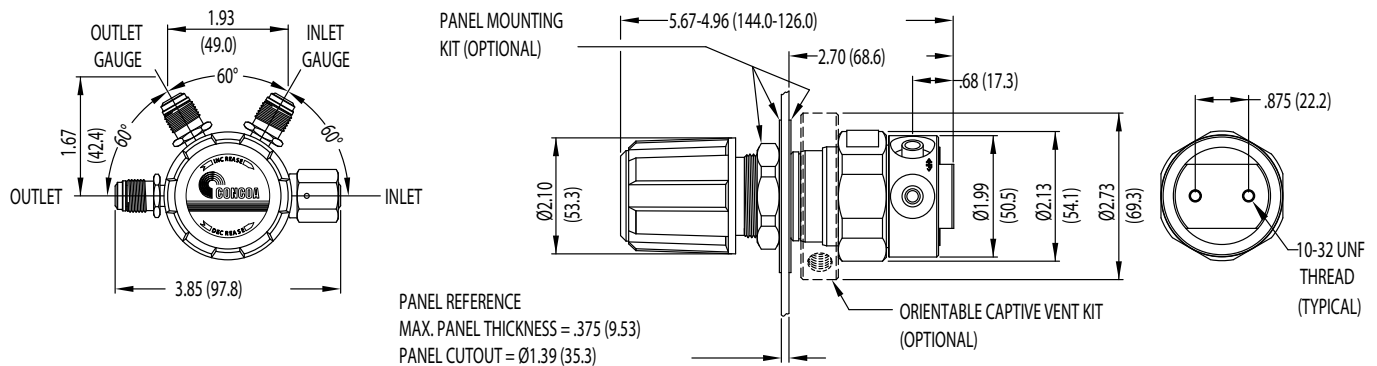
Specifications

- Maximum Inlet Pressure**
3000 PSIG (210 BAR)
- Temperature Range**
-40°F to 140°F (-40°C to 60°C)
- Gauges**
2" (53mm) diameter stainless steel
- Ports**
1/4" face seal connection
- Helium Leak Integrity**
1 x 10⁻⁹ scc/sec
- Cv**
0.1
See page 202 for flow curves
- Weight (429 2241-001)**
2.73 lbs. (1.24 kg)

400 Series Regulators



Installation Dimensions



REGULATORS

Ordering Information

429	A	B	C	D
Series 429	Outlet Pressure	Outlet Gauge	Inlet Gauge	Connections - inlet/outlet
	1: 0-15 PSIG (0-1 BAR)	0: None	0: None	1: Female face seal/male face seal
	2: 0-30 PSIG (0-2 BAR)	1: 30"-0-30 PSIG/-1-0-2 BAR	1: 0-4000 PSIG/0-275 BAR	2: Male face seal/male face seal
	3: 0-50 PSIG (0-3.5 BAR)	2: 30"-0-60 PSIG/-1-0-4 BAR	2: 0-400 PSIG/0-27 BAR	3: Male face seal/female face seal
	4: 0-100 PSIG (0-7 BAR)	3: 30"-0-100 PSIG/-1-0-7 BAR	3: 0-1000 PSIG/0-70 BAR	4: Female face seal/female face seal
	5: 0-250 PSIG (0-17 BAR)	4: 30"-0-200 PSIG/-1-0-14 BAR	4: 0-3000 PSIG/0-210 BAR	
	6: 0-500 PSIG (0-34 BAR)	5: 0-400 PSIG/0-27 BAR	5: 30"-0-200 PSIG/-1-0-14 BAR	
	7: 0-150 PSIG (0-10 BAR)	6: 0-1000 PSIG/0-70 BAR	6: 30"-0-100 PSIG/-1-0-7 BAR	
			7: 30"-0-60 PSIG/-1-0-4 BAR	
			8: 30"-0-30 PSIG/-1-0-2 BAR	

Related Options

Options	Order No.	Description
Panel mount kit	550 0002	To mount the regulator using bonnet threads. Material: Nickel-plated brass
Captured vent kit	550 0001	360° Orientation, pipes vented gases to safe location in the event of diaphragm failure. Material: Nickel-plated brass
Helium Leak certification	476 0002	Inboard Helium Leak certification to less than 1 x 10 ⁻⁹ cc/sec
0.01 Micron filter	580 2001	Attached at outlet for low particle count gases (male face seal/male face seal)

