



529 SERIES

Protocol Switchover Alarm

The 529 Series Protocol Switchover Alarm combines all of the features of the Protocol Switchover Station with the added security of a remote alarm system. The Protocol Switchover Alarm will provide an audible/visible warning when a cylinder is nearly depleted. The system comes complete with Protocol Switchover Station, two 3 ft (900mm) all stainless steel hoses with armor casing, two valves, and remote alarm.



529 0156-660 shown with regulator (sold separately)

Features

- Plugged Port in Gas Block**
Facilitates purging
- Integral Check Valve at Inlet**
No internal contamination during cylinder change
- Bracket Mounts**
Attaches conveniently to any surface
- Pressure Switch Gauge**
Provides visible warning of cylinder depletion
- Remote Alarm**
Provides audible and visible warning of cylinder depletion
- Connections**
CGA, DIN 477, BS 341 and others available

Materials

- Protocol Tee**
Brass, chrome-plated brass or 316L stainless steel barstock
- Flexible Hoses**
316L stainless steel inner core
Monel® inner core for oxygen service
PTFE inner core for 6000 PSIG (415 BAR)
- Inlet Connection**
316L stainless steel or brass barstock
- Check Valve "O" Ring**
Viton® (or neoprene for ammonia)
- Bracket**
304 stainless steel

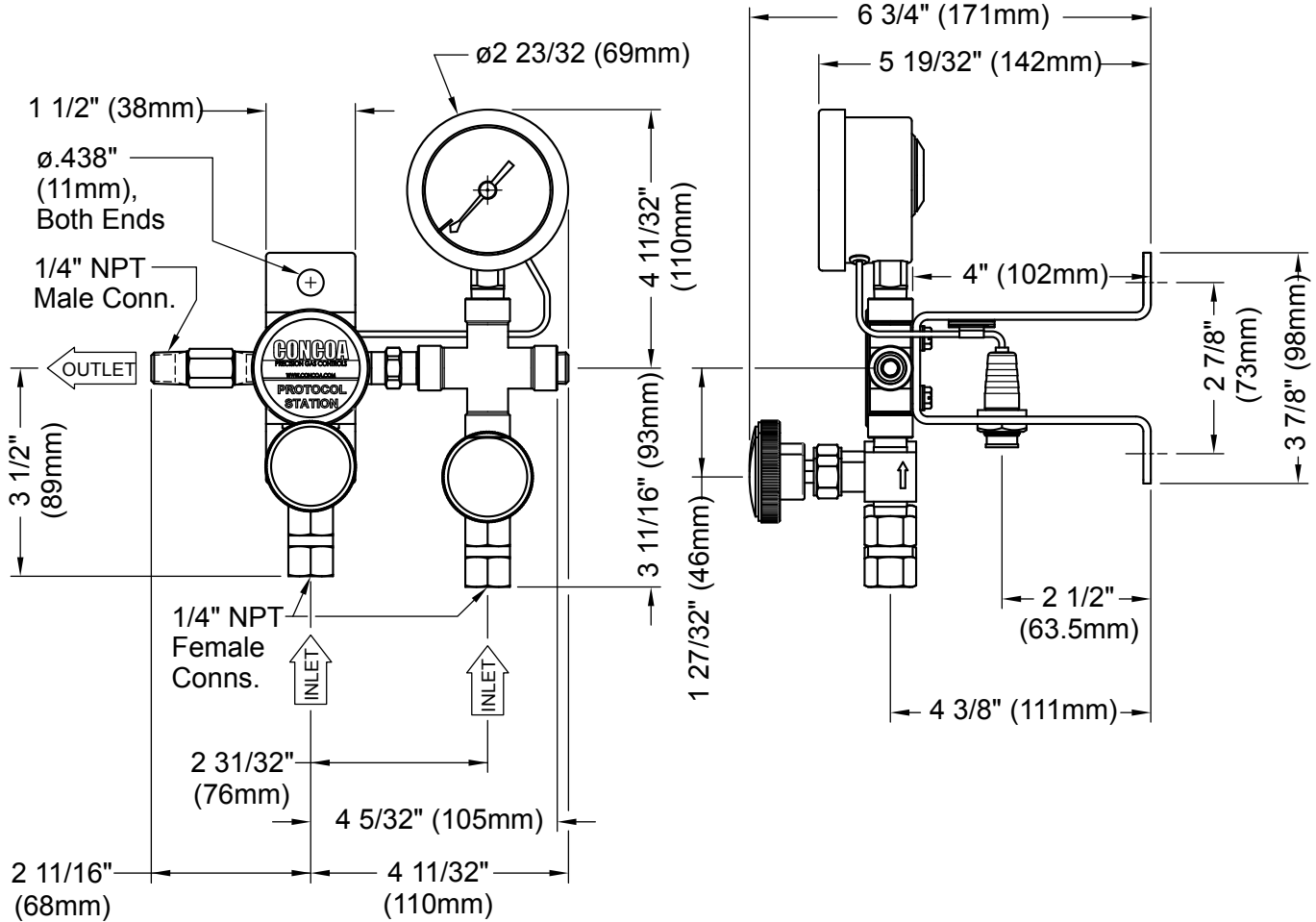
Specifications

- Maximum Inlet Pressure**
3500 PSIG (240 BAR)
4500 PSIG (310 BAR) optional
6000 PSIG (415 BAR) optional
- Temperature Range**
-40°F to 140°F (-40°C to 60°C)
- Weight (Single Stage)**
4.4 lbs. (2 kg)
- Weight (Dual Stage)**
4.8 lbs. (2.2 kg)
- Intrinsic Safety Barriers**
Required for flammable gas service or for use in hazardous environments

Manifolds



Installation Dimensions



529 0157 Dimensions Shown

DISTRIBUTION SYSTEMS

Ordering Information

Order Number	Description	Inlet Gauge
Add letter "H" after any regulator order number	For example, to order a 422 1331-580 with a protocol switchover alarm (110/220 VAC), the order number would be 422 1331-580H	
To order separately:		
529 0151-CONH	Protocol switchover alarm for brass regulators (110/220 VAC)	600 PSIG (42 BAR)
529 0152-CONH	Protocol switchover alarm for chrome-plated brass regulators (110/220 VAC)	600 PSIG (42 BAR)
529 0153-CONH	Protocol switchover alarm for 316L stainless steel regulators (110/220 VAC)	600 PSIG (42 BAR)
529 0154-CONH	Protocol switchover alarm for brass regulators (110/220 VAC)	3500 PSIG (240 BAR)
529 0155-CONH	Protocol switchover alarm for chrome-plated brass regulators (110/220 VAC)	3500 PSIG (240 BAR)
529 0156-CONH	Protocol switchover alarm for 316L stainless steel regulators (110/220 VAC)	3500 PSIG (240 BAR)
529 0157-CONH	Protocol switchover alarm for brass regulators (110/220 VAC)	4500 PSIG (310 BAR)
529 0158-CONH	Protocol switchover alarm for chrome-plated brass regulators (110/220 VAC)	4500 PSIG (310 BAR)
529 0159-CONH	Protocol switchover alarm for 316L stainless steel regulators (110/220 VAC)	4500 PSIG (310 BAR)
529 0160-CONH	Protocol switchover alarm for 316L stainless steel regulators (110/220 VAC)	6000 PSIG (415 BAR)