



# 54 SERIES

## Point-of-Use Panels

The 54 Series Point of Use Panels provide a modular design to mount and locate 400 Series regulators at the point of use for the most demanding gas applications. They are intended to provide final pressure control for research and ultra high purity gases or, in the case of the 54S, even corrosive service gases or mixtures. The high leak integrity of  $1 \times 10^{-9}$  cc/sec ensures delivery of those gases in an unaltered state to the most sensitive process or instrumentation applications. Supplied with up to four regulators per panel they are ideal permanent fixtures for point of use pressure control.

54S 5000 001 shown



54C 3330 001 shown

### Typical Applications

- Research grade gas systems
- Ultra high purity gas control
- Gas chromatography mass spectrometry support gases
- Environmental calibration
- Liquefied hydrocarbon gas control
- Corrosive process gases
- Zero, span and support gases
- Hydrocarbon research and standards

### Features

- 435, 438 or 445 Series Regulators**  
Ultra high gas purity
- Modular Design**  
Flexible installation
- Rear Entry Regulator Inlet Ports**  
Suitable for on- or in-wall piping
- Five Individually Selectable Pressure Ranges**  
0-15 to 0-500 PSIG (0-1 to 0-34 BAR)
- 14 Gauge Stainless Steel Panel**  
Clean corrosion resistant installation
- Stainless Steel Diaphragm**  
No inboard diffusion
- High-Purity Diaphragm Outlet Valve**  
For flow control and positive shut-off

### Materials

- Regulator and Valve Body**  
316L stainless steel or brass barstock
- Bonnet**  
Chrome-plated brass barstock
- Seats**  
PTFE on regulator  
PCTFE on valve
- Filter**  
Patented 10 micron stainless steel mesh or sintered bronze
- Diaphragm**  
316L stainless steel
- Internal Seals**  
PTFE

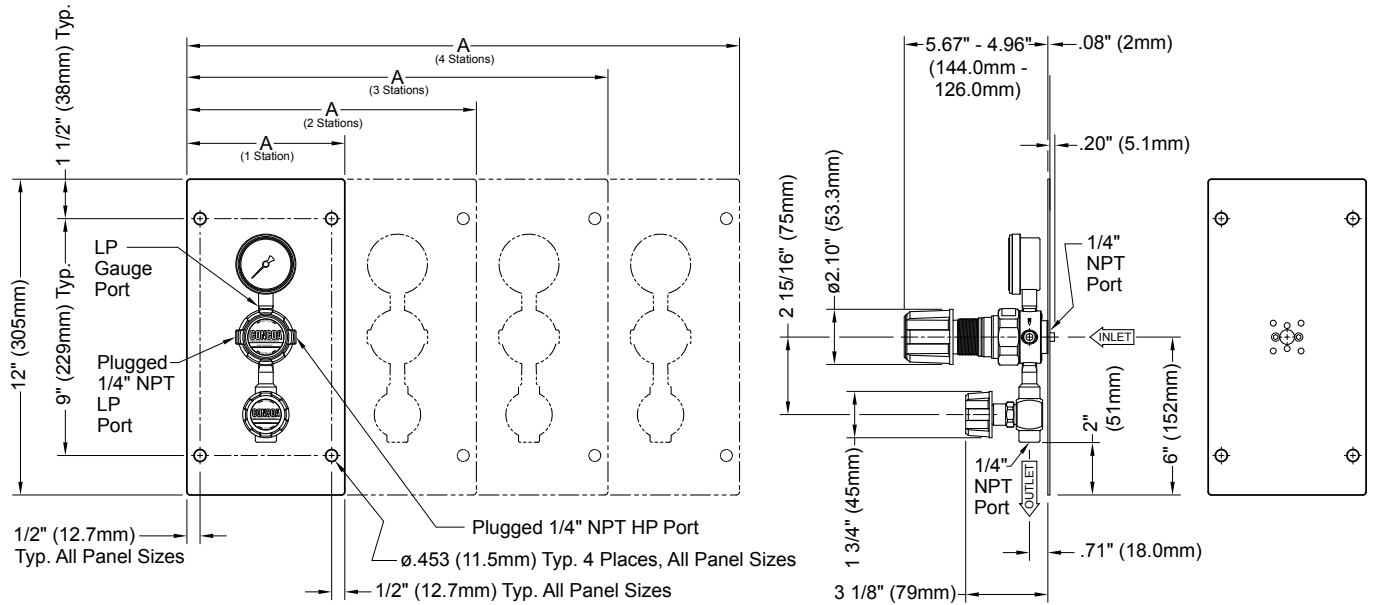
### Specifications

- Maximum Inlet Pressure**  
3000 PSIG (210 BAR)
- Operating Temp. Range**  
-40°F to 140°F (-40°C to 60°C)
- Cv**  
0.1 (Max outlet 50 PSIG/3.5 BAR or below)  
0.2 (Max outlet above 50 PSIG/3.5 BAR)
- Inlet/Outlet Connection:**  
1/4" NPT female
- Gauges**  
54B  
Brass stem  
Phosphor bronze tube  
2" (53mm) brass case  
54S  
Stainless steel stem  
Stainless steel tube  
2" (53mm) stainless steel case
- Panel**  
14-gauge 304 stainless steel

# Panels



## Installation Dimensions



Number of Stations	Length "Dim A"
1	6" (152.4mm)
2	11" (279.4mm)
3	16" (406.4mm)
4	21" (533.4mm)

## Ordering Information

54	Material	Station 1		Station 2		Station 3		Station 4	
Series 54		Outlet Pressure	Outlet Gauge	Outlet Pressure	Outlet Gauge	Outlet Pressure	Outlet Gauge	Outlet Pressure	Outlet Gauge
	<b>B:</b> Brass 435 Series regulators	<b>1:</b> 0-15 PSIG (0-1 BAR)	30"-0-30 PSIG/ 100-0-200 kPa	<b>1:</b> 0-15 PSIG (0-1 BAR)	30"-0-30 PSIG/ 100-0-200 kPa	<b>1:</b> 0-15 PSIG (0-1 BAR)	30"-0-30 PSIG/ 100-0-200 kPa	<b>1:</b> 0-15 PSIG (0-1 BAR)	30"-0-30 PSIG/ 100-0-200 kPa
	<b>C:</b> Chrome plated brass 438 series regulators	<b>A:</b> 0-15 PSIG (0-1 BAR)	-1-0-2 BAR/ 30"-0-30 PSIG	<b>A:</b> 0-15 PSIG (0-1 BAR)	-1-0-2 BAR/ 30"-0-30 PSIG	<b>A:</b> 0-15 PSIG (0-1 BAR)	-1-0-2 BAR/ 30"-0-30 PSIG	<b>A:</b> 0-15 PSIG (0-1 BAR)	-1-0-2 BAR/ 30"-0-30 PSIG
	<b>S:</b> 316L stainless steel 445 Series regulators	<b>2:</b> 0-50 PSIG (0-3.5 BAR)	30"-0-100 PSIG/ -100-0-700 kPa	<b>2:</b> 0-50 PSIG (0-3.5 BAR)	30"-0-100 PSIG/ -100-0-700 kPa	<b>2:</b> 0-50 PSIG (0-3.5 BAR)	30"-0-100 PSIG/ -100-0-700 kPa	<b>2:</b> 0-50 PSIG (0-3.5 BAR)	30"-0-100 PSIG/ -100-0-700 kPa
		<b>B:</b> 0-50 PSIG (0-3.5 BAR)	-1-0-7 BAR/ 30"-0-100 PSIG	<b>B:</b> 0-50 PSIG (0-3.5 BAR)	-1-0-7 BAR/ 30"-0-100 PSIG	<b>B:</b> 0-50 PSIG (0-3.5 BAR)	-1-0-7 BAR/ 30"-0-100 PSIG	<b>B:</b> 0-50 PSIG (0-3.5 BAR)	-1-0-7 BAR/ 30"-0-100 PSIG
		<b>3:</b> 0-100 PSIG (0-7 BAR)	30"-0-200 PSIG/ -100-0-1400 kPa	<b>3:</b> 0-100 PSIG (0-7 BAR)	30"-0-200 PSIG/ -100-0-1400 kPa	<b>3:</b> 0-100 PSIG (0-7 BAR)	30"-0-200 PSIG/ -100-0-1400 kPa	<b>3:</b> 0-100 PSIG (0-7 BAR)	30"-0-200 PSIG/ -100-0-1400 kPa
		<b>C:</b> 0-100 PSIG (0-7 BAR)	-1-0-14 BAR/ 30"-0-200 PSIG	<b>C:</b> 0-100 PSIG (0-7 BAR)	-1-0-14 BAR/ 30"-0-200 PSIG	<b>C:</b> 0-100 PSIG (0-7 BAR)	-1-0-14 BAR/ 30"-0-200 PSIG	<b>C:</b> 0-100 PSIG (0-7 BAR)	-1-0-14 BAR/ 30"-0-200 PSIG
		<b>4:</b> 0-250 PSIG (0-17 BAR)	0-400 PSIG/ 0-2800 kPa	<b>4:</b> 0-250 PSIG (0-17 BAR)	0-400 PSIG/ 0-2800 kPa	<b>4:</b> 0-250 PSIG (0-17 BAR)	0-400 PSIG/ 0-2800 kPa	<b>4:</b> 0-250 PSIG (0-17 BAR)	0-400 PSIG/ 0-2800 kPa
		<b>D:</b> 0-250 PSIG (0-17 BAR)	0-27 BAR/ 0-400 PSIG	<b>D:</b> 0-250 PSIG (0-17 BAR)	0-27 BAR/ 0-400 PSIG	<b>D:</b> 0-250 PSIG (0-17 BAR)	0-27 BAR/ 0-400 PSIG	<b>D:</b> 0-250 PSIG (0-17 BAR)	0-27 BAR/ 0-400 PSIG
		<b>5:</b> 0-500 PSIG (0-34 BAR)	0-1000 PSIG/ 0-7000 kPa	<b>5:</b> 0-500 PSIG (0-34 BAR)	0-1000 PSIG/ 0-7000 kPa	<b>5:</b> 0-500 PSIG (0-34 BAR)	0-1000 PSIG/ 0-7000 kPa	<b>5:</b> 0-500 PSIG (0-34 BAR)	0-1000 PSIG/ 0-7000 kPa
		<b>E:</b> 0-500 PSIG (0-34 BAR)	0-70 BAR/ 1000 PSIG	<b>E:</b> 0-500 PSIG (0-34 BAR)	0-70 BAR/ 1000 PSIG	<b>E:</b> 0-500 PSIG (0-34 BAR)	0-70 BAR/ 1000 PSIG	<b>E:</b> 0-500 PSIG (0-34 BAR)	0-70 BAR/ 1000 PSIG
		<b>7:</b> 0-150 PSIG (0-10 BAR)	30"-0-200 PSIG/ -100-0-1400 kPa	<b>7:</b> 0-150 PSIG (0-10 BAR)	30"-0-200 PSIG/ -100-0-1400 kPa	<b>7:</b> 0-150 PSIG (0-10 BAR)	30"-0-200 PSIG/ -100-0-1400 kPa	<b>7:</b> 0-150 PSIG (0-10 BAR)	30"-0-200 PSIG/ -100-0-1400 kPa
		<b>G:</b> 0-150 PSIG (0-10 BAR)	-1-0-14 BAR/ 30"-0-200 PSIG	<b>G:</b> 0-150 PSIG (0-10 BAR)	-1-0-14 BAR/ 30"-0-200 PSIG	<b>G:</b> 0-150 PSIG (0-10 BAR)	-1-0-14 BAR/ 30"-0-200 PSIG	<b>G:</b> 0-150 PSIG (0-10 BAR)	-1-0-14 BAR/ 30"-0-200 PSIG

DISTRIBUTION SYSTEMS