

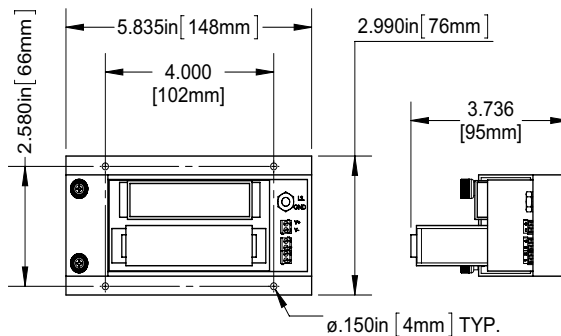
# DISTRIBUTION ACCESSORIES



## INTRINSIC SAFETY BARRIER

For Products Using 4-20 mA Transducers

Intrinsic safety barriers enable the use of the Altos alarm with CONCOA's automatic switchover or protocol stations with flammable gases or in hazardous locations. IntrinSafe utilizes intrinsic safety barriers that keep electrical circuit energy below the minimum ignition levels published by such standards as ANSI/UL 913 AND FM3610. By eliminating the source of ignition, CONCOA's IntrinSafe system offers a simple, reliable, low cost alternative to explosion-proof containment devices. This makes CONCOA the perfect choice for laboratory, chemical processing, heat-treating and plasma welding and cutting applications.



### Specifications

#### Dimensions

2.990" x 5.835" x 3.736"  
(76mm x 148mm x 95mm)

#### Temperature Range

-4°F to 122°F (-20°C to 50°C)

#### Mounting Location

Non-hazardous or Class I, Div. 2 location

#### Grounding Method

Designated ground electrode with #12 AWG size conductor or larger  
Ground path resistance not to exceed 1 ohm

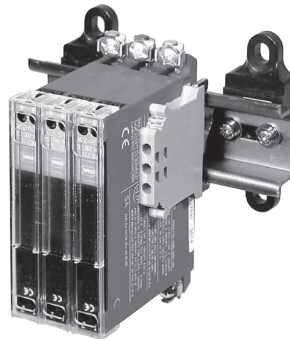
### Ordering Information

Part Number	Description
529 5361	Single Barrier (For transducer products)
529 5362	Dual Barrier (For transducer products)

## INTRINSIC SAFETY BARRIER

For Products Using Pressure Switches

IntrinSafe enables the use of the Advantium alarm with CONCOA's automatic switchover, Protocol stations or Gas Blending systems with flammable gases or in hazardous locations. IntrinSafe utilizes intrinsic safety barriers that keep electrical circuit energy below the minimum ignition levels published by such standards as ANSI/UL 913 AND FM3610. By eliminating the source of ignition, CONCOA's IntrinSafe system offers a simple, reliable, low cost alternative to explosion-proof containment devices. This makes CONCOA the perfect choice for laboratory, chemical processing, heat-treating and plasma welding and cutting applications.



### Specifications

#### Current Limitation

Resistive  
Replaceable fuse protection for each channel

#### Dimensions

5" W x 4" L x 3.531" D  
(127mm x 102mm x 90mm)

#### Temperature Range

-4°F to 122°F (-20°C to 50°C)

#### Mounting Location

Non-hazardous or Class I, Div. 2 location

#### Grounding Method

Designated ground electrode with #12 AWG size conductor or larger  
Ground path resistance not to exceed 1 ohm

### Ordering Information

Part Number	Description
529 5296	For use with 529 5310 and 529 5311 remote alarm
529 5312	For use with 575 0023 or 575 0025 remote alarm
529 5313	For use with 575 0012 or 575 0025 remote alarm