



Installation Instructions

1. Remove adjusting knob cap by prying in notch with a flat tipped screwdriver.
2. While holding adjusting knob firmly, remove top knob nut with a 17mm socket.
3. Gently slide knob off of screw being careful not to turn the underside knob nut – this will adversely affect the maximum delivery pressure of the regulator.
4. Place both panel mount washers over regulator bonnet and carefully thread on the panel mount nut.
5. Replace regulator adjusting knob until seated on the adjusting nut. Please note that the knob nut hex flat or point must be centered on adjusting screw flats prior to replacing the knob.
6. Hand thread the top knob nut back onto the adjusting screw to retain knob.
7. Tighten the knob nut to 80-100 in-lbs.
8. Snap knob cap back into place.
9. Carefully place regulator on mounting bracket, sandwiching the hook between the panel mount washers as depicted in Figure 2.
10. Tighten panel mount nut (1½” hex).
11. Using appropriate hardware, anchor the mounting bracket to the wall. Ensure bracket is level.

Notes

1. These instructions are only for use with 8309772 and 8309773 mounting bracket kits.
2. The 8309772 and 8309773 mounting brackets are only for use with CONCOA 622 Series dome-loaded regulators. Use with any other device is neither recommended nor supported.
3. Use 8309772 for 622 Series regulators with right-hand inlets. Use 8309773 for 622 regulators with left-hand inlets.
4. For more information regarding the safe use of the 622 dome-loaded regulator, please see CONCOA publication ADI3219.

Controls Corporation of America

1501 Harpers Road • Virginia Beach, VA 23454 • USA
Phone: 757.422.8330 • Fax: 757.422.3125 • E-mail: info@concoa.com
www.concoa.com

Figure 1: Bracket wall-mounting and installation diagram

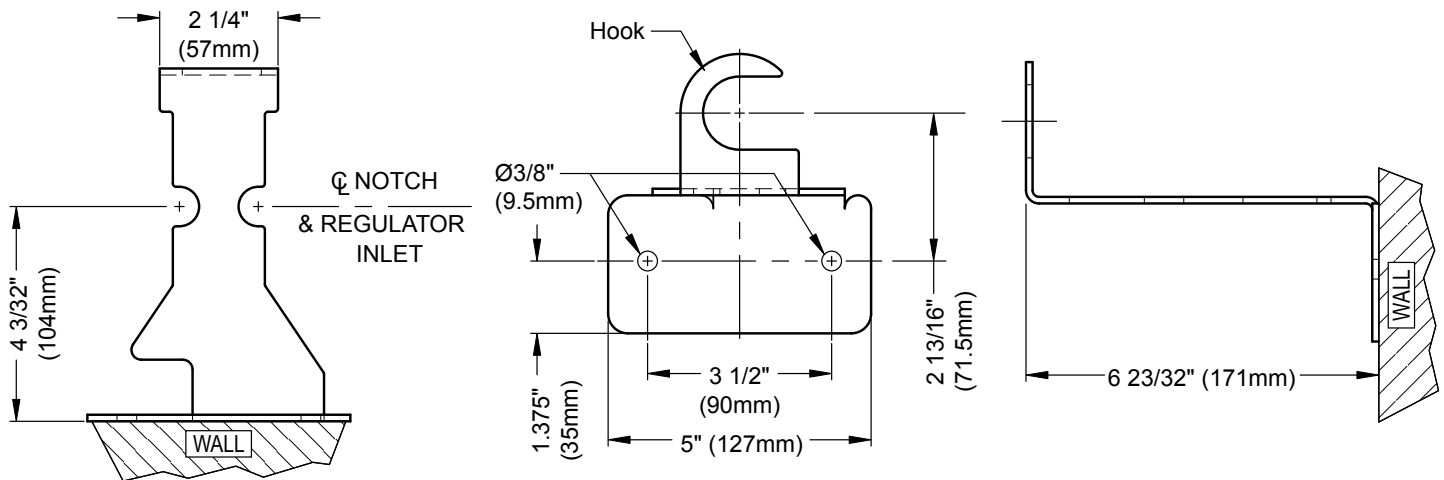
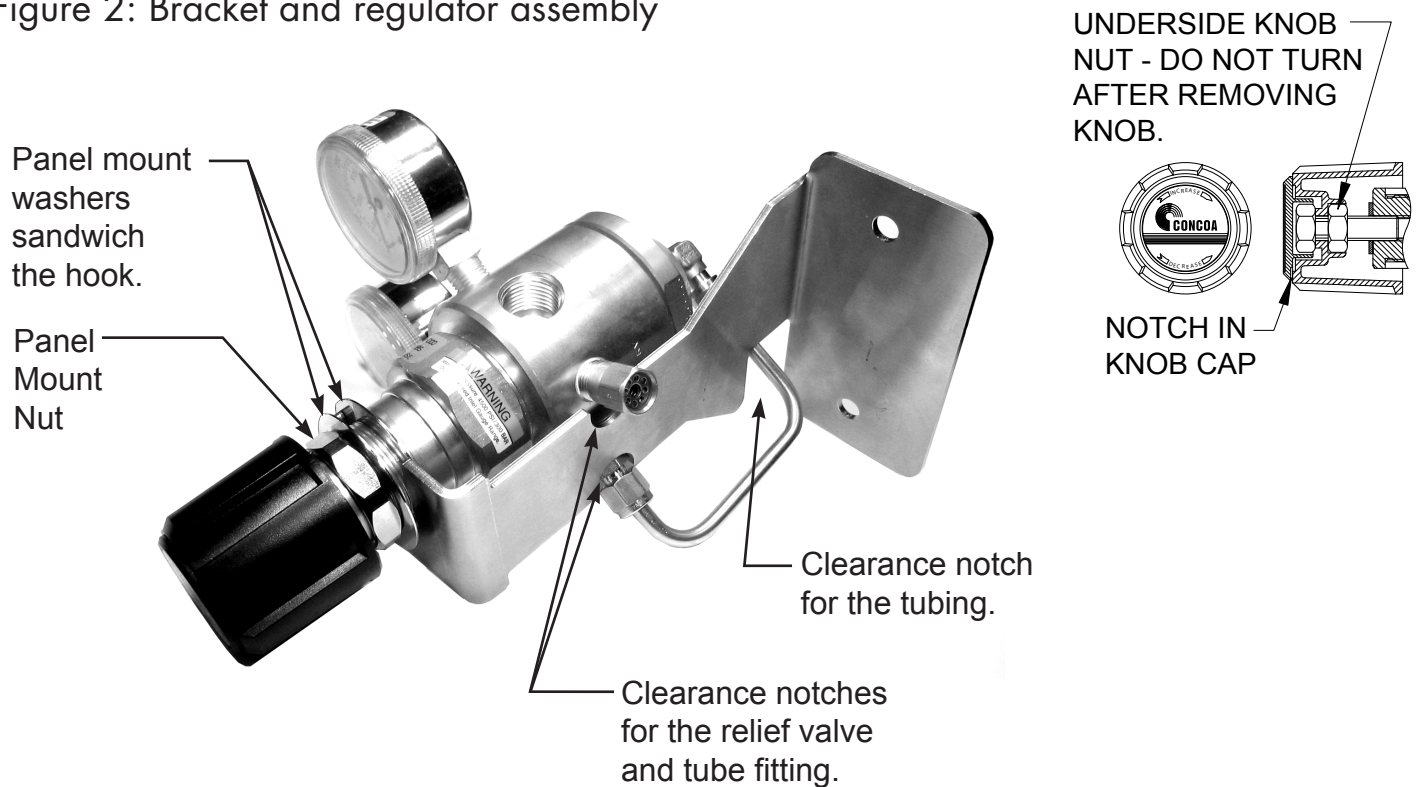


Figure 2: Bracket and regulator assembly



Controls Corporation of America

1501 Harpers Road • Virginia Beach, VA 23454 • USA
Phone: 757.422.8330 • Fax: 757-422-3125 • E-mail: info@concoa.com
www.concoa.com