

## Installation & Operation Instructions of 566/567 Series Clear Acrylic Flowmeters

Standard acrylic tube flowmeters are available in various ranges and configurations. The meters have reference scales for air. At your request, flow curves for other gases or liquids can be supplied.

### UNPACKING

We have taken precautions to prevent damage during shipment. However, if you receive this meter damaged, report it to the carrier immediately. Before installing, check to assure that you have the model and flow range you require.

The float restraint should be removed from the 567 3000 Flowmeters prior to use. The restraint can be removed by gently pulling through the Flowmeter outlet port.

### INSTALLATION

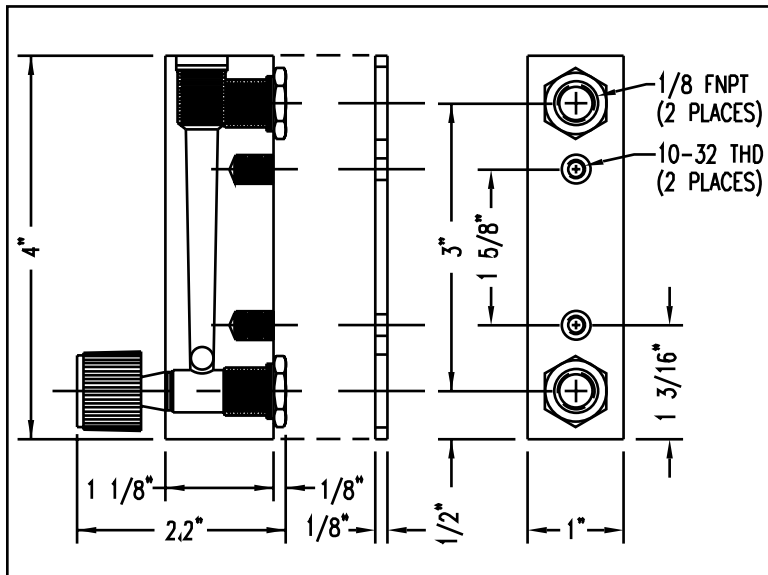
This meter is designed to be panel mounted. It must be mounted vertically, unless otherwise specified, and in a manner which minimizes both external vibrations and internal flow variations. Panel mounting requires 2-3 holes with 1/4" diameters, drilled with cen-

ters as shown in Figure 1. The meter is held onto the panel with 10-32 screws (not included).

The meters are supplied with 1", 1/4" and 1/8" FNPT non-rotating fittings. Use pipe sealant or Teflon tape to ease installation, and to provide a better seal. When installing 1/8" MNPT fittings into the meter, torque only to 60 in-lbs maximum. Special care should be taken that connections to the unit's inlet/outlet fittings do not overly restrict the liquid or gas being metered. This could result in a reduced flow volume, preventing the meter from reaching its maximum flowrate; also, internal pressures could be affected, causing inaccurate flow readings.

Leak check prior to use. If metering fluids are suspected of containing contaminants, install a filter upstream to prevent contaminants from reaching the meter. On start-up, slowly purge any air/gas trapped in the meter. To obtain the correct flow reading, read the center of the ball or float.

**If you have any questions, feel free to call CONCOA Customer Service 1-800-225-0473.**

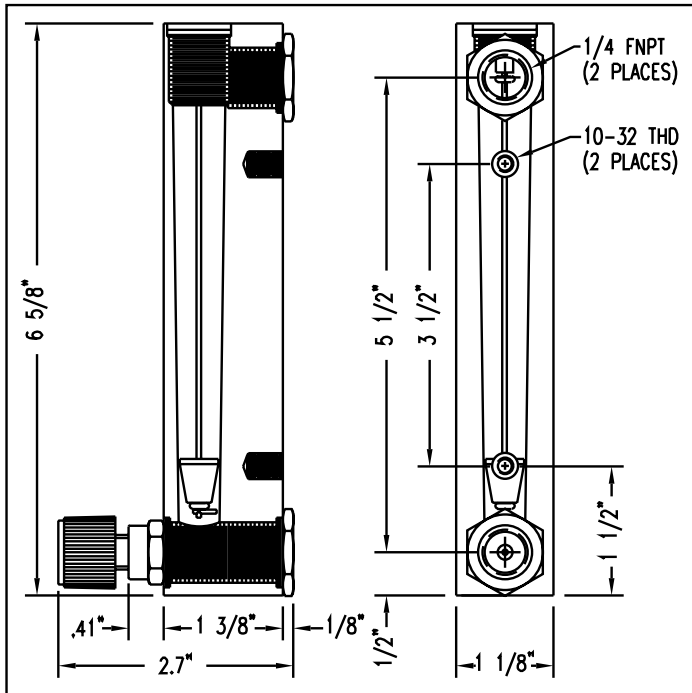


566 Series Specifications
ACCURACY: +/- 5% E.S.
FLOAT: Black Glass
SEALS: Buna-N "O" Rings with Brass or PVC Fittings
PRESSURE: 100 PSIG MAX
TEMPERATURE: 150°F/65°C
FITTINGS: Brass
VALVES (optional): Brass or Stainless Steel Cartridge Type

**566 Series Flowmeter**

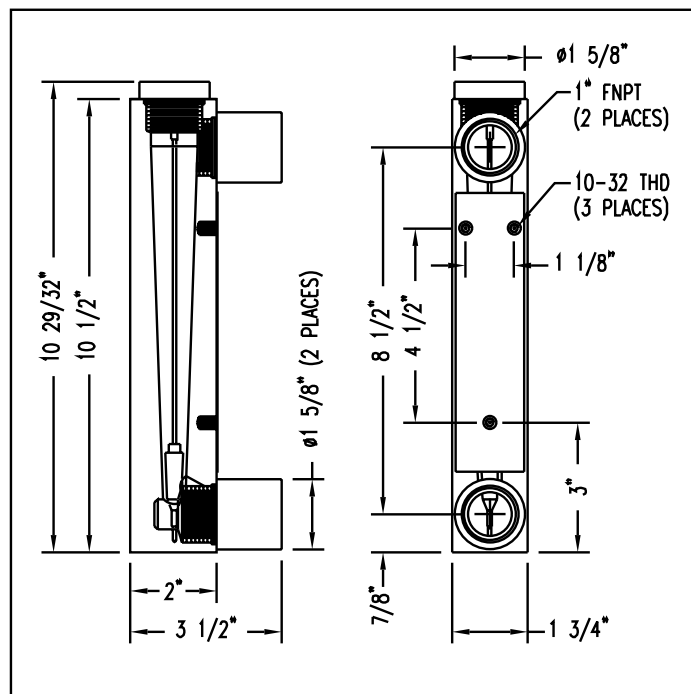
### CAUTION

**This flowmeter is designed for use with non-hazardous/non-corrosive gases at pressures up to 100 PSIG and temperature up to 65°C (150°F). Use of hazardous fluids or exceeding pressure or temperature limits may cause failure that could result in injury.**



567 Series Specifications			
	1000	2000	3000
ACCURACY	+/- 3%	+/- 3%	+/- 2%
FLOAT	Stainless Steel	Stainless Steel	Stainless Steel
SEALS	Buna-n "O" Rings with Brass Fittings	Viton "O" Rings with Stainless Steel Fittings	Buna-n "O" Rings with Brass Fittings
PRESSURE	100PSIG	100 PSIG Max	100 PSIG Max
TEMPERATURE	150°F/65°C	150°F/65°C	150°F/65°C
FITTINGS	Brass	Stainless Steel	PVC
VALVES (optional)	Brass or Stainless Steel Cartridge Type	Brass or Stainless Steel Cartridge Type	Plastic In-Line Gate

567 1000/2000 Series Flowmeter



567 3000 Series Flowmeter

CONTINUED PRODUCT IMPROVEMENT MAY RESULT IN SPECIFICATION REVISIONS