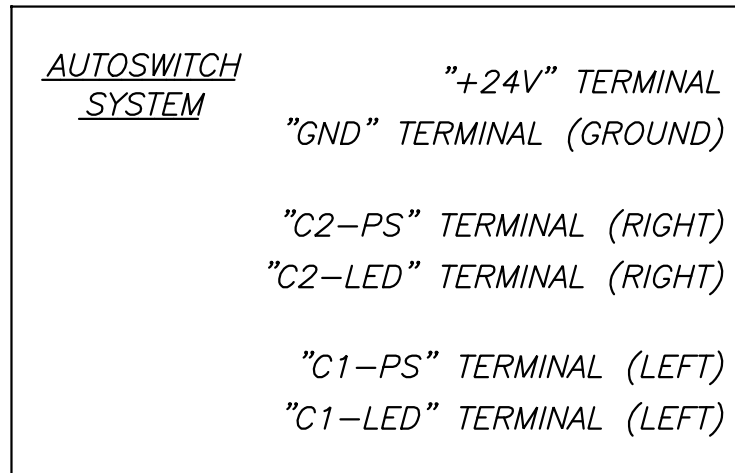


# AUTOSWITCH SYSTEMS WITH PRESSURE SWITCH GAUGES

POTENTIALLY FLAMMABLE ATMOSPHERE



INTRINSICALLY SAFE WIRING

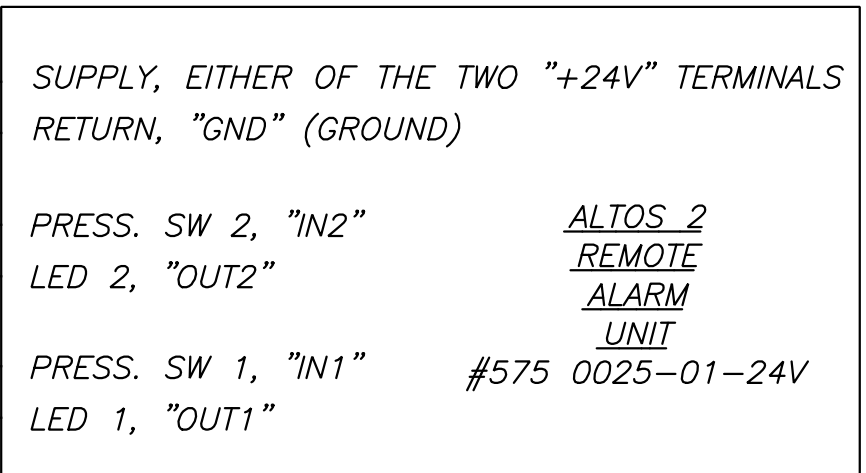
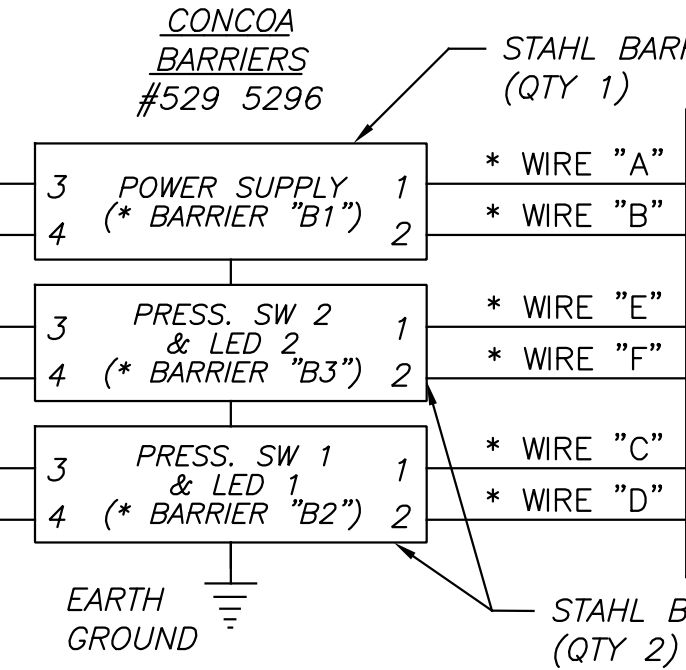
INTRINSICALLY SAFE WIRING

INTRINSICALLY SAFE WIRING

INTRINSICALLY SAFE WIRING

INTRINSICALLY SAFE WIRING

INTRINSICALLY SAFE WIRING

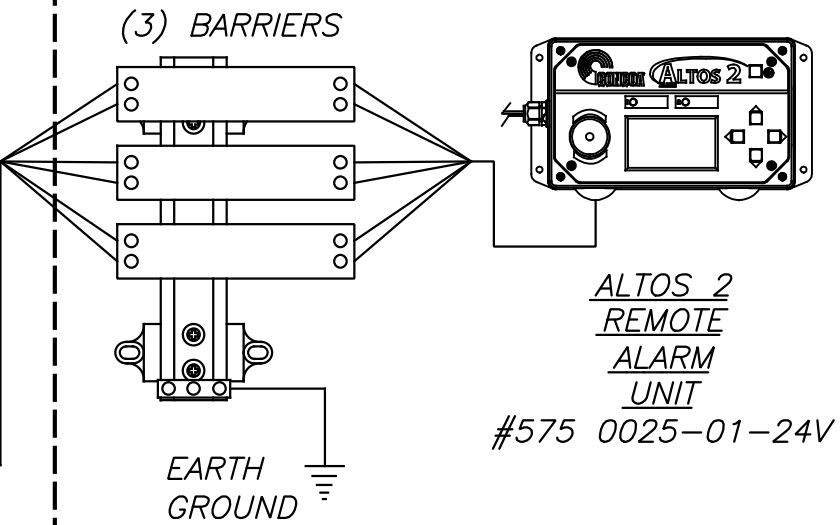
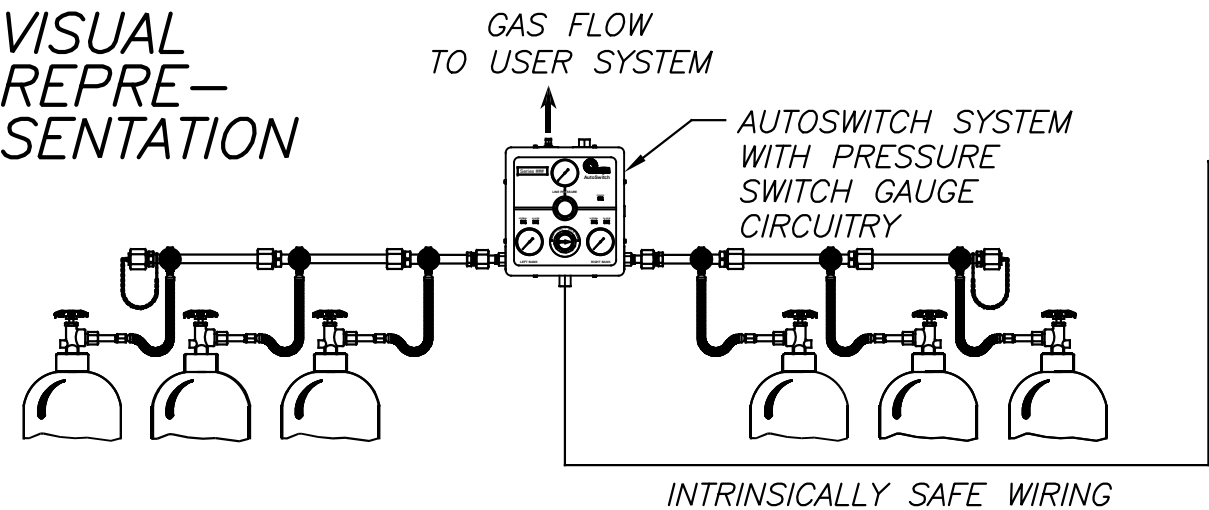


HAZARDOUS LOCATION  
CLASS I, II, & III - A THRU G

SAFE LOCATION

\* SEE ALSO WIRING INSTRUCTIONS IN CONCOA DOCUMENT 99060025-24V (ADI0025-24V)

VISUAL REPRESENTATION



NOTES ON SYSTEM

1. SYSTEM MUST BE INSTALLED IN ACCORDANCE WITH NATIONAL ELECTRIC CODE ANSI/NFPA 70, ARTICLE 504. BARRIERS MUST BE INSTALLED IN ACCORDANCE WITH MANUFACTURER GUIDELINES.
2. MAXIMUM CABLE LENGTH: 1500 FT. (457 METERS) FOR SYSTEMS WITH PRESS. SWITCH GAUGES CIRCUITRY

NOTES ON CONTROL EQUIPMENT:

1. MAINS POWER MUST NOT EXCEED 250 VOLTS WITH RESPECT TO GROUND.
2. CONNECT TO EARTH GROUND ACCORDING TO BARRIER MANUFACTURER'S INSTRUCTIONS. RESISTANCE BETWEEN BARRIER GROUND AND GROUNDING ELECTRODE SHALL NOT EXCEED 1 OHM.

CONTACT INFORMATION, BARRIERS: R. STAHL (U.S.A.)  
1-800-782 4357  
www.rstahl.com

(Ref.: This instruction document is identical to 99063237 page 1)

	CONTROLS CORPORATION OF AMERICA PRODUCT ENGINEERING DEPARTMENT VIRGINIA BEACH, VA 23454	PART NO.	9906 3209
	TITLE:	ADI, INTSFTY_PSW _____ AUTOSWITCHES_ALTOS2	FILENAME: 99063209.PDF
		REV. ECN NUMBER	DATE
		11 22-016	2/15/2022