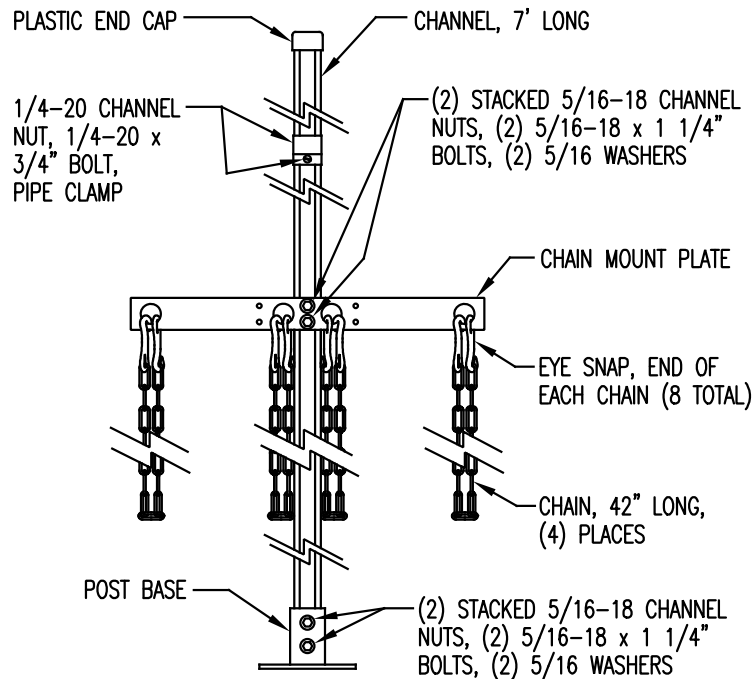


TYPICAL CHANNEL NUT

KIT CONSISTING OF:

- (1) CHANNEL, 7' LENGTH
- (1) SQUARE POST BASE
- (4) CHANNEL NUT, 5/16-18
- (4) BOLT, 5/16-18 X 1 1/4
- (1) PIPE CLAMP, 7/8 O.D.
- (1) CHANNEL NUT, 1/4-20
- (1) BOLT, 1/4-20 X 3/4
- (1) END CAP, PLASTIC
- (4) WASHER, FLAT, 5/16
- (4) CHAIN, PASSING LINK, 42" LENGTH
- (8) OPEN EYE CHAIN SNAP
- (1) CHAIN MOUNT PLATE

NOTE: THE CYLINDER SUPPORT ASS'Y AND THE PIPE CLAMP CAN SLIDE UP AND DOWN THE CHANNEL TO ANY HEIGHT.

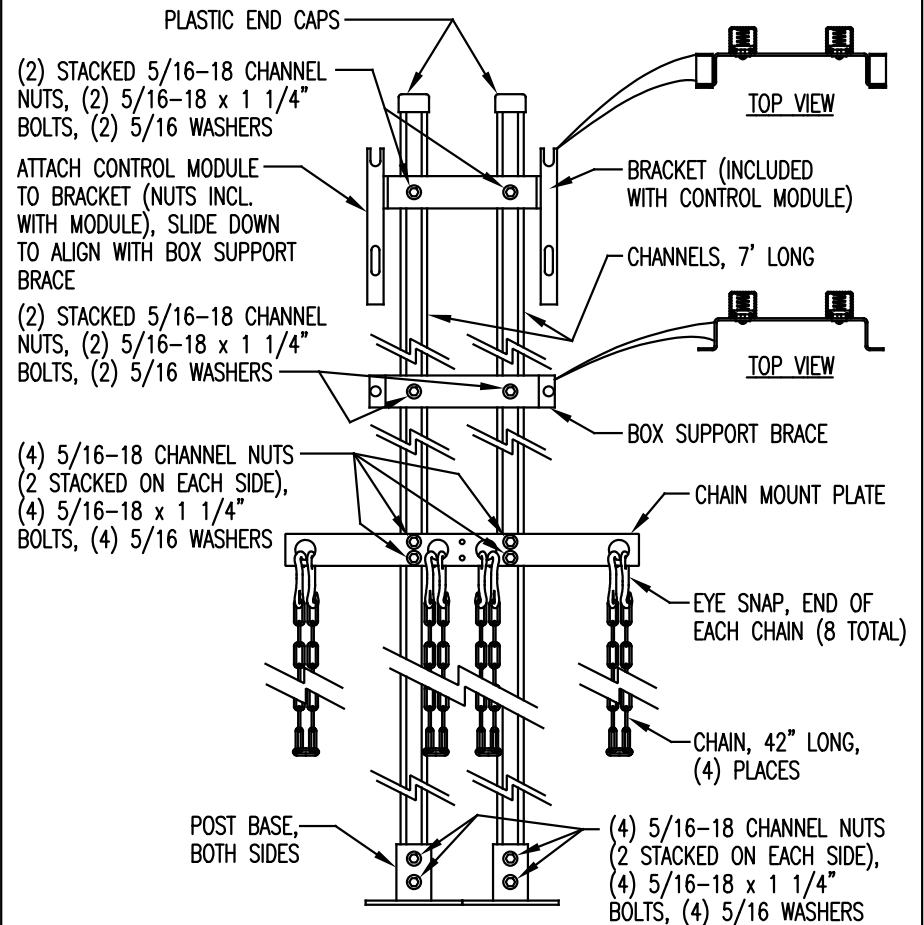


MANIFOLD FREE STANDING KIT 830 7437

KIT CONSISTING OF:

NOTE:  
THE CYLINDER SUPPORT ASS'Y,  
THE BRACKET, AND THE BOX  
SUPPORT BRACE CAN SLIDE UP  
AND DOWN THE CHANNELS TO  
ANY HEIGHT.

- (2) CHANNEL, 7' LENGTH
- (2) SQUARE POST BASE
- (12) CHANNEL NUT, 5/16-18
- (12) BOLT, 5/16-18 X 1 1/4
- (2) END CAP, PLASTIC
- (12) WASHER, FLAT, 5/16
- (1) BOX SUPPORT BRACE
- (4) CHAIN, PASSING LINK, 42" LENGTH
- (8) OPEN EYE CHAIN SNAP
- (1) CHAIN MOUNT PLATE



AUTOSWITCH FREE STANDING KIT 830 7439

MANIFOLD FREE STANDING KIT 830 7437.  
CYLINDER SUPPORT PARTS (CHAINS, EYE SNAPS, ETC.) ARE NOT INTENDED FOR USE WITH LIQUID CYLINDERS

EXTENSION KIT,  
SHOWN 1 PLACE THIS SIDE,  
2 PLACES OTHER SIDE

END PLUG ASS'Y, PART OF STARTER BLOCK KIT, BOTH SIDES

PIGTAIL, SHOWN 2 PLACES THIS SIDE

STARTER BLOCK KIT, BOTH SIDES

AUTOSWITCH FREE STANDING KIT 830 7439

MANIFOLD FREE STANDING KIT 830 7437

AUTOSWITCH

FOR INDUSTRIAL MANIFOLDS:  
UNION NUT, GLAND, AND  
CONNECTOR SHOWN ON  
BOTH SIDES

PIGTAIL, SHOWN 3 PLACES THIS SIDE

**NOTE:**  
HP CYLINDER  
SUPPORT PARTS  
(CHAINS, SNAPS,  
BRACE, ETC.)  
ARE PROVIDED  
WITH THE FREE  
STANDING KITS,  
BUT ARE NOT  
INTENDED TO BE  
USED WITH  
LIQUID CYLINDERS.

