

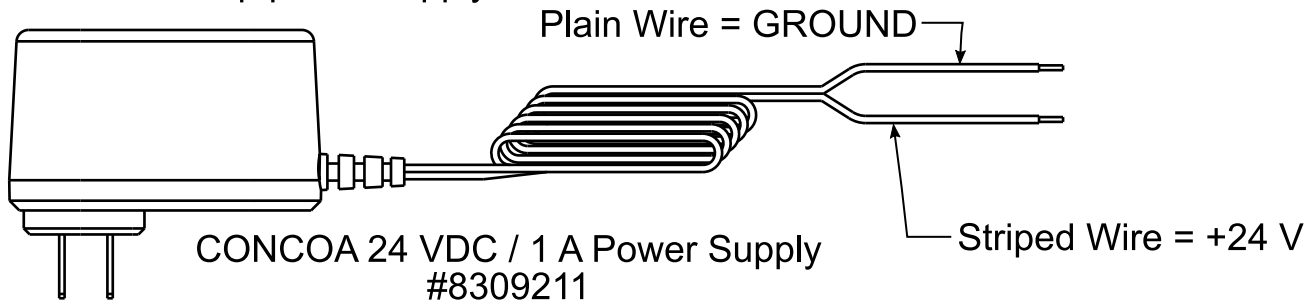


Hookup of the CONCOA 5803063 Alarm Stack to the CONCOA 5851008 Series ESO Controller, 5750164 Advantium 16 Alarm & 5750025 Altos 2 Alarm

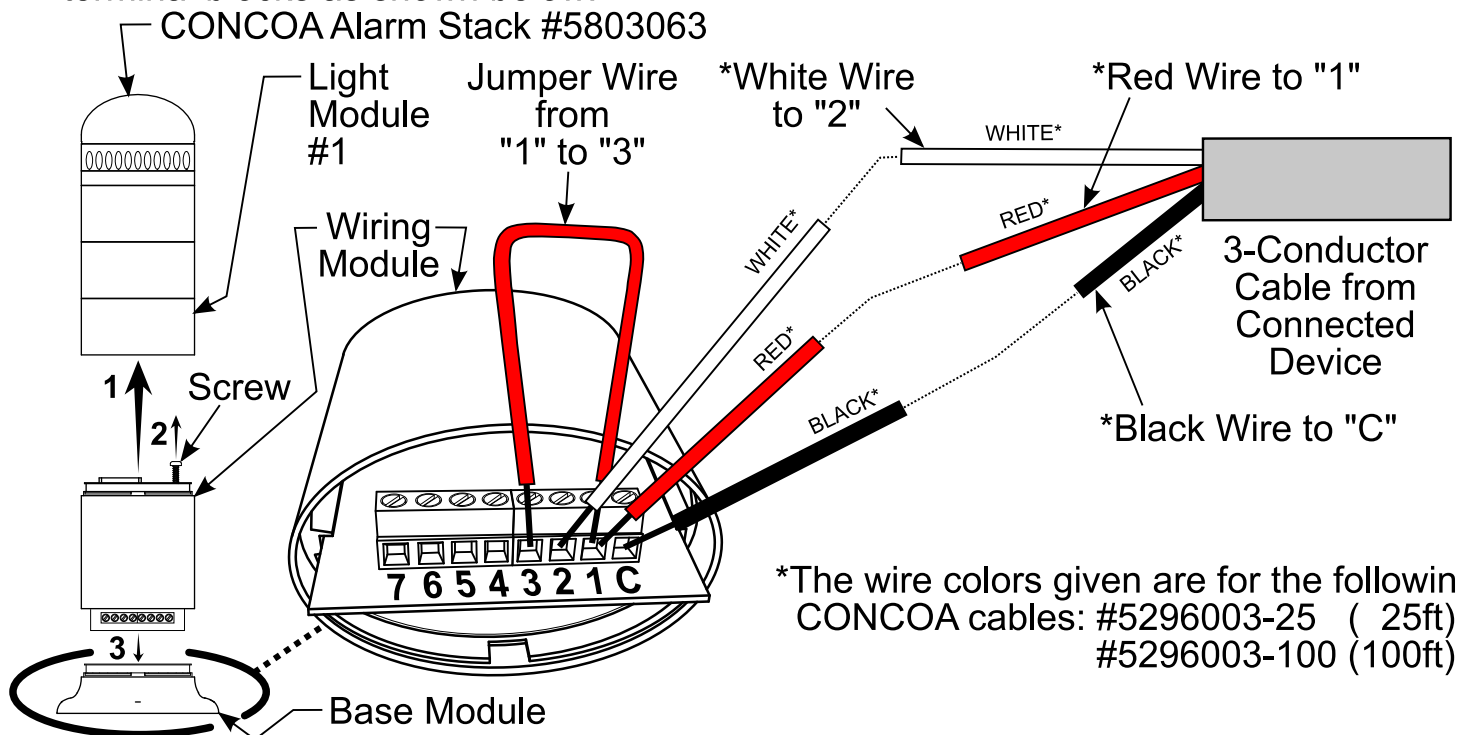
www.concoa.com

1-800-225-0473

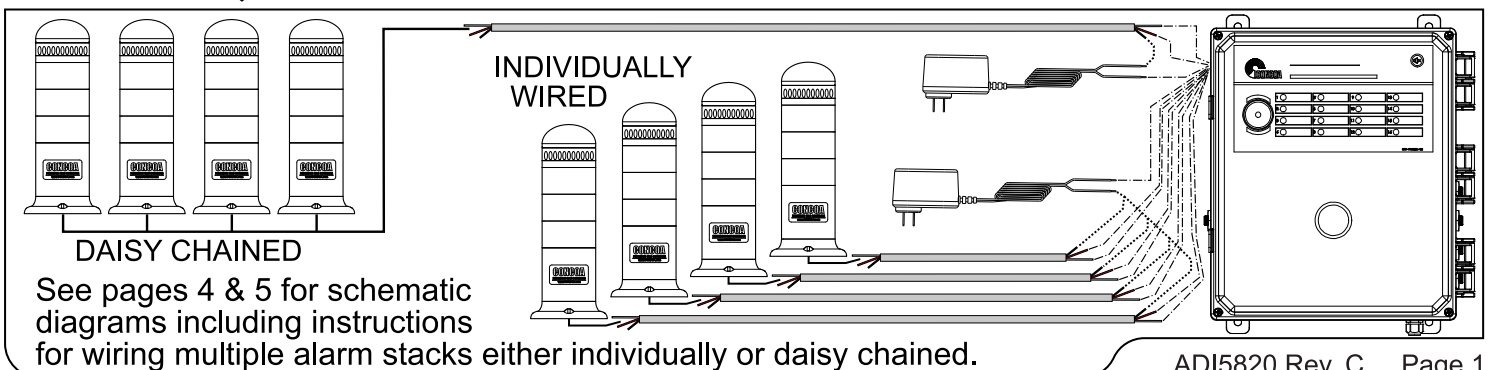
- 1 The 5803063 alarm stack requires a 24 VDC power supply. CONCOA provides each unit with a 1 Amp power supply # 8309211.



- 2 Detach light module #1 from the wiring module, and loosen the screw securing the wiring module to the base module. Pull firmly straight down to detach the base module, and connect wires to the exposed terminal blocks as shown below:



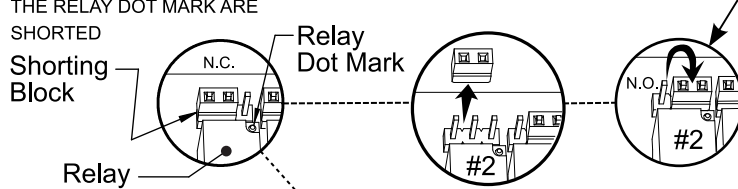
*The wire colors given are for the following CONCOA cables: #5296003-25 (25ft) #5296003-100 (100ft)



3 Wiring Arrangement #1 - Connection to CONCOA #5851008 Series ESO Controller:

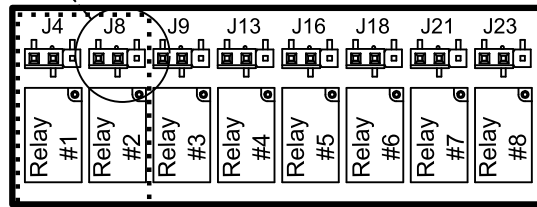
3-Conductor
Cable to
Alarm Stack

**STANDARD CONFIGURATION,
NORMALLY CLOSED:**
THE 2 PINS FARTHEST FROM
THE RELAY DOT MARK ARE
SHORTED



**CHANGE
RELAY #2
TO
NORMALLY
OPEN**

For an alarm stack connection, (2) alarm outputs are required. The (8) dry contact relay outputs on the 5851008 Series ESO Controller main circuit board allow for the connection of up to (4) alarm stacks. Refer to CONCOA instructions document 99065850 (ADI5850). Select a pair of outputs and relays to use for each alarm stack connection, and connect wires as shown below:



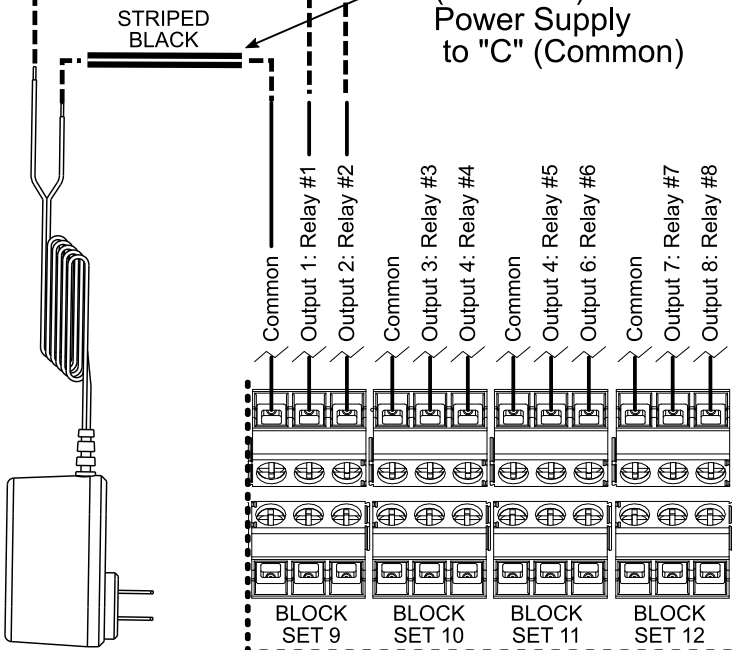
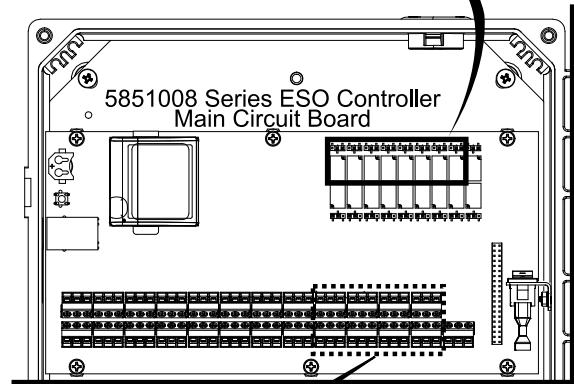
**DRY CONTACT
RELAY OUTPUTS**

EXAMPLE:

Output #1 / Relay #1 and
Output #2 / Relay #2
Have Been Selected for
the Alarm Stack Connection.

- *Black Wire from Cable to Black Wire on Power Supply
- *White Wire to Output "1"
- *Red Wire to Output "2"

Striped Wire (+24 VDC) on Power Supply to "C" (Common)



ALARM OUTPUTS

*The wire colors given are for the following CONCOA cables:
#5296003-25 (25ft)
#5296003-100 (100ft)

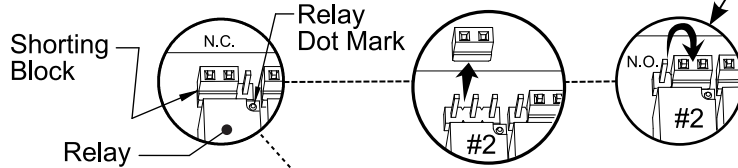
4 Wiring Arrangement #2 - Connection to CONCOA #5750164-01-000 Advantium 16 Remote Alarm:

3-Conductor
Cable to
Alarm Stack

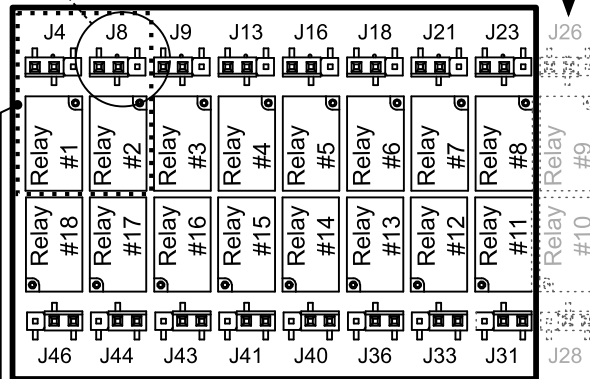
STANDARD CONFIGURATION, NORMALLY CLOSED:
THE 2 PINS FARTHEST FROM THE RELAY DOT MARK ARE SHORTED

**CHANGE
RELAY #2
TO
NORMALLY
OPEN**

Relays #9 & #10 are not user configurable.

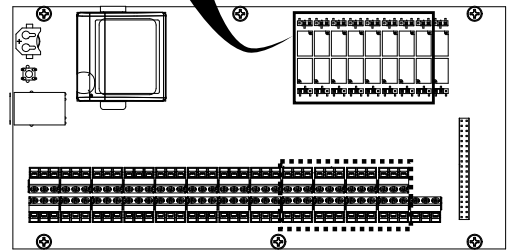


For an alarm stack connection, (2) alarm outputs are required. The (16) dry contact relay outputs on the Advantium 16 main circuit board allow for the connection of up to (8) alarm stacks. Refer to CONCOA instructions document 99069531 (ADI9531). Select a pair of outputs and relays to use for each alarm stack connection, and connect wires as shown below:



**DRY
CONTACT
RELAY
OUTPUTS**

EXAMPLE:
Output #1 / Relay #1
and
Output #2 / Relay #2
Have Been Selected
for the Alarm Stack
Connection.

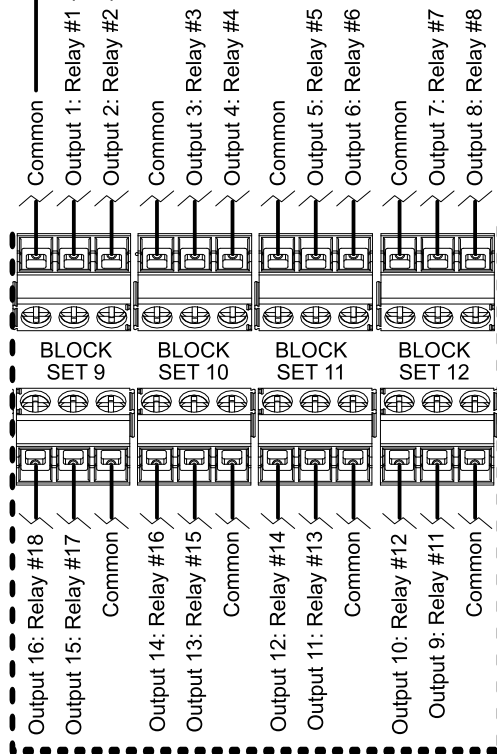


Advantium 16 Main Circuit Board

- *Black Wire from Cable to Black Wire on Power Supply
- *White Wire to Output "1"
- *Red Wire to Output "2"

Striped Wire (+24 VDC) on Power Supply to "C" (Common)

STRIPED BLACK

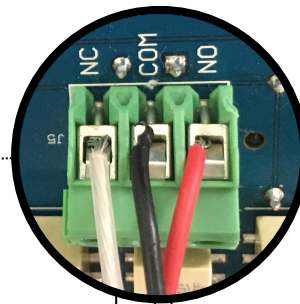
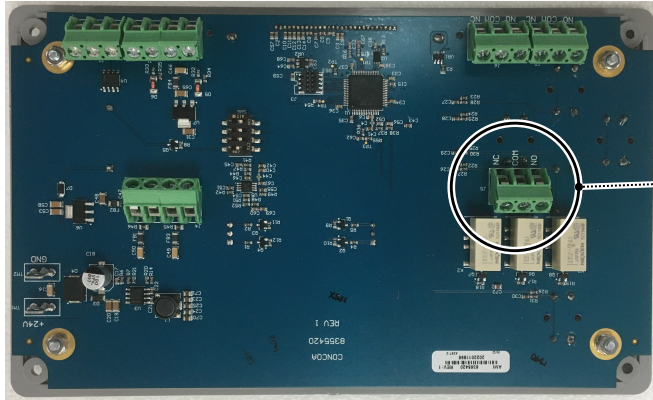


ALARM OUTPUTS

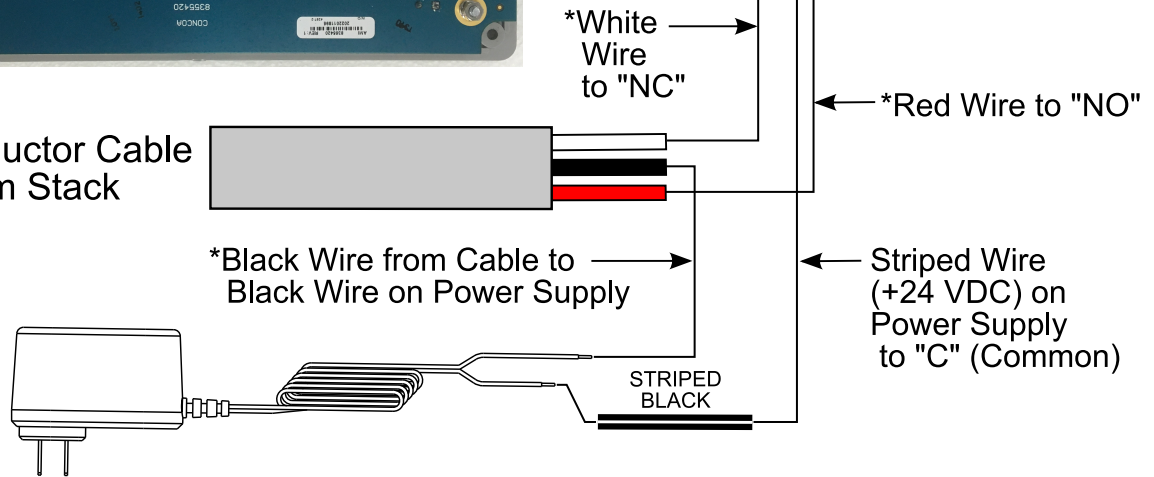
*The wire colors given are for the following CONCOA cables:
#5296003-25 (25ft)
#5296003-100 (100ft)

5 Wiring Arrangement #3 - Connection to CONCOA #5750025-01-24V Altos 2 Remote Alarm:

Altos 2 Main Circuit Board

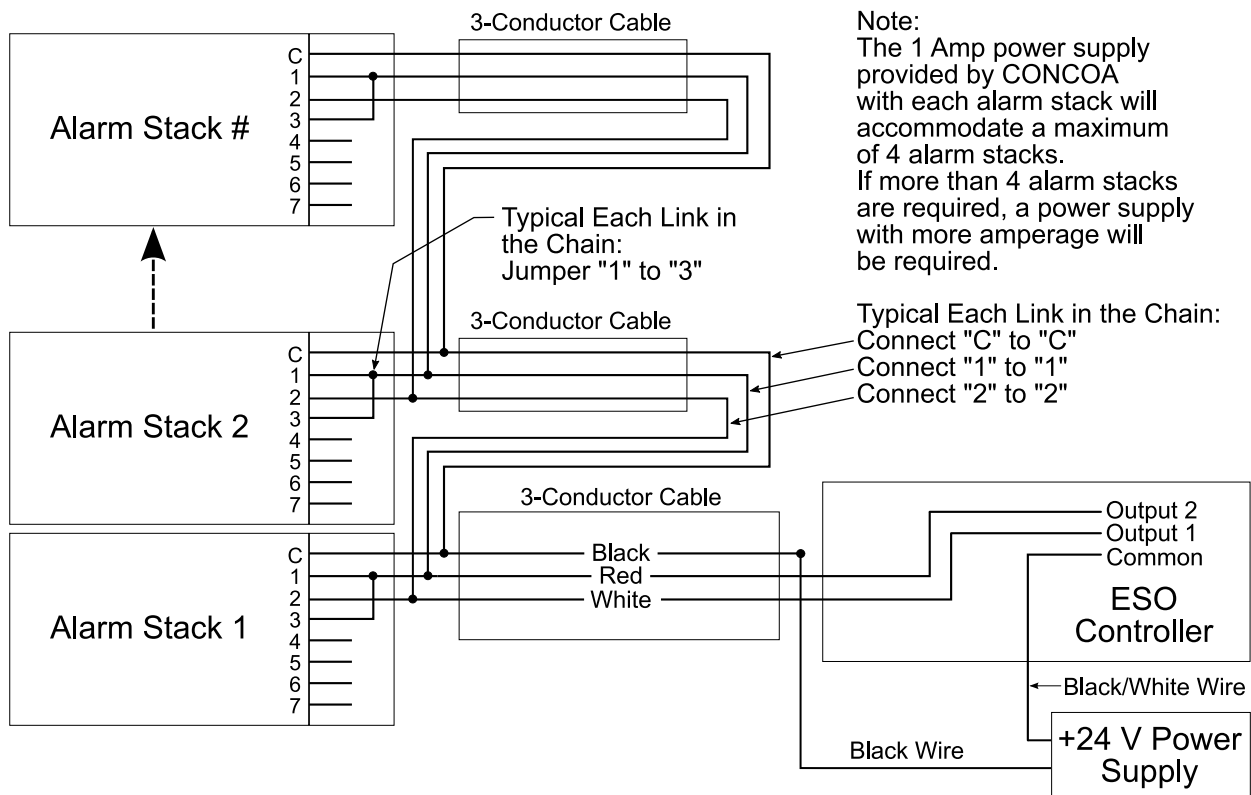


3-Conductor Cable to Alarm Stack



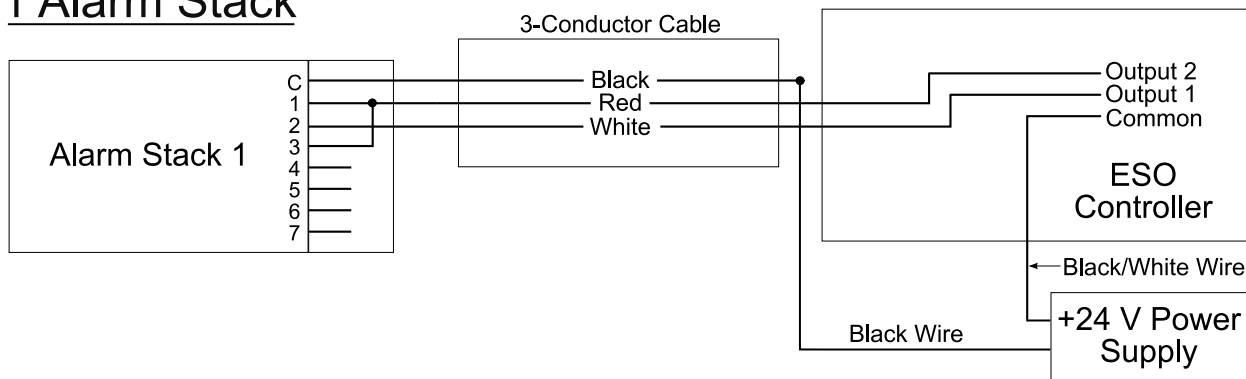
*The wire colors given are for the following CONCOA cables:
#5296003-25 (25ft) #5296003-100 (100ft)

SCHEMATIC DIAGRAM - DAISY CHAINED STACKS

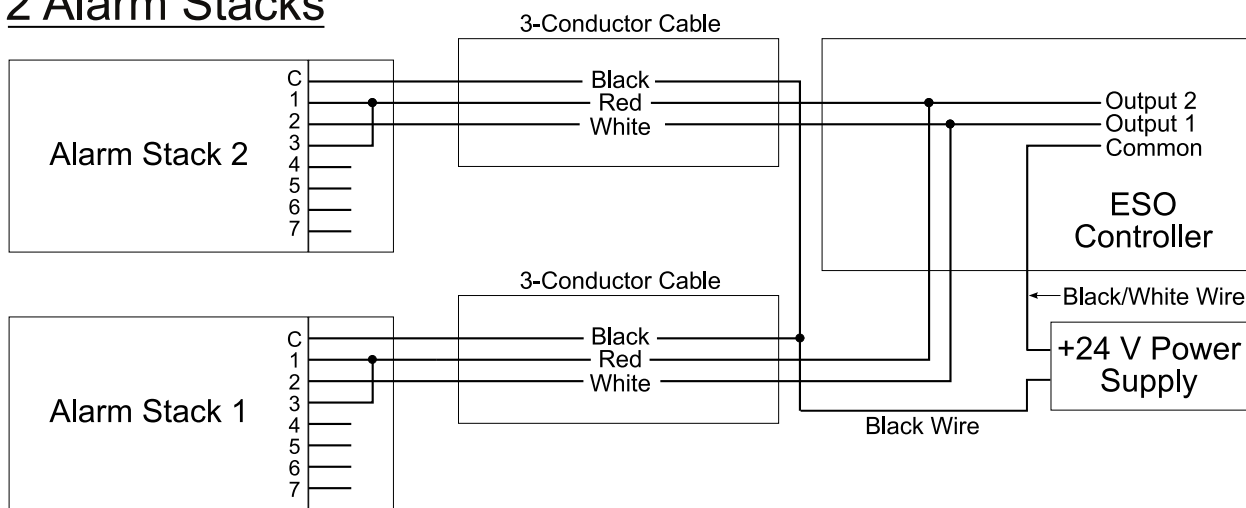


SCHEMATIC DIAGRAMS - INDIVIDUALLY WIRED STACKS

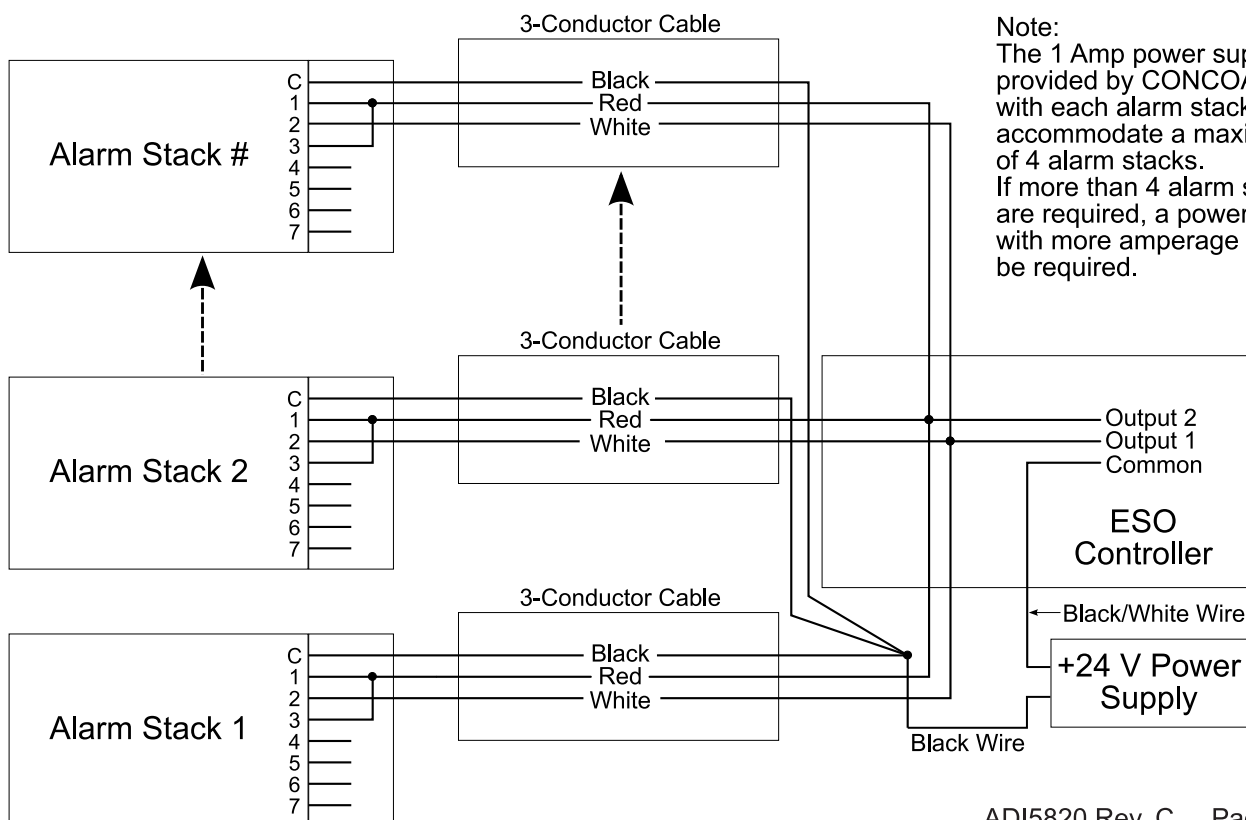
1 Alarm Stack



2 Alarm Stacks



More than 2 Alarm Stacks



Note:
The 1 Amp power supply provided by CONCOA with each alarm stack will accommodate a maximum of 4 alarm stacks. If more than 4 alarm stacks are required, a power supply with more amperage will be required.