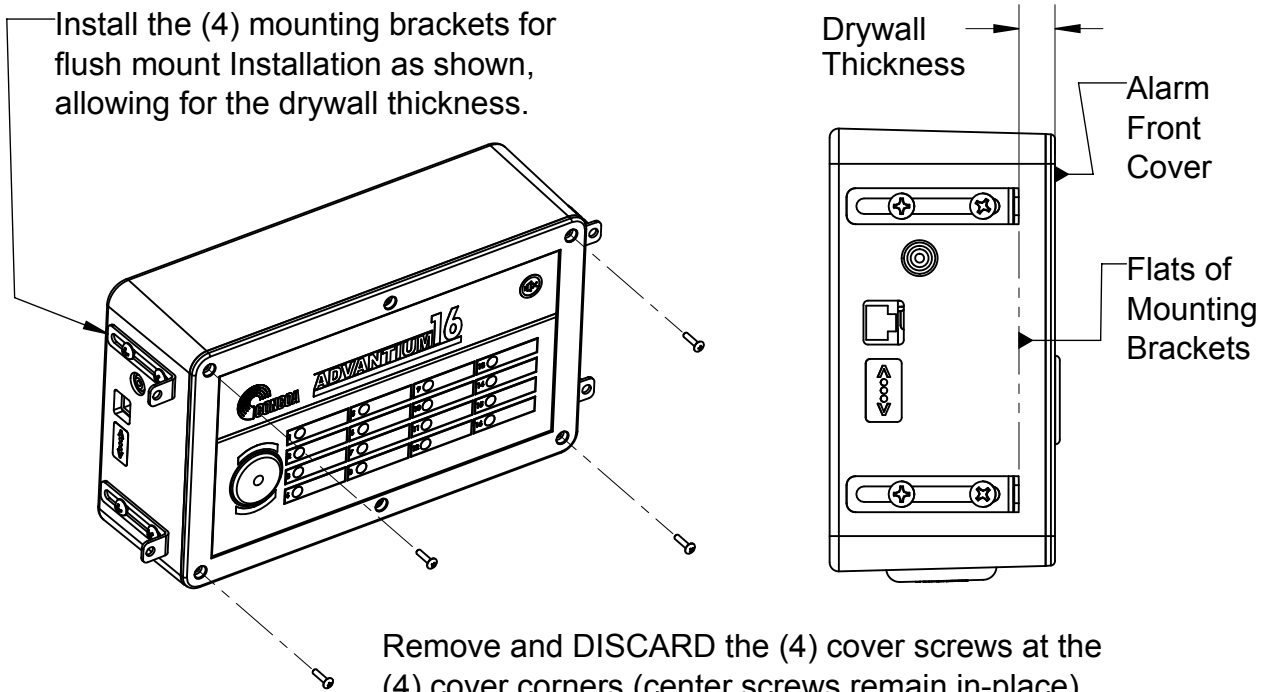


1 Assemble Alarm for Flush Mount Installation.

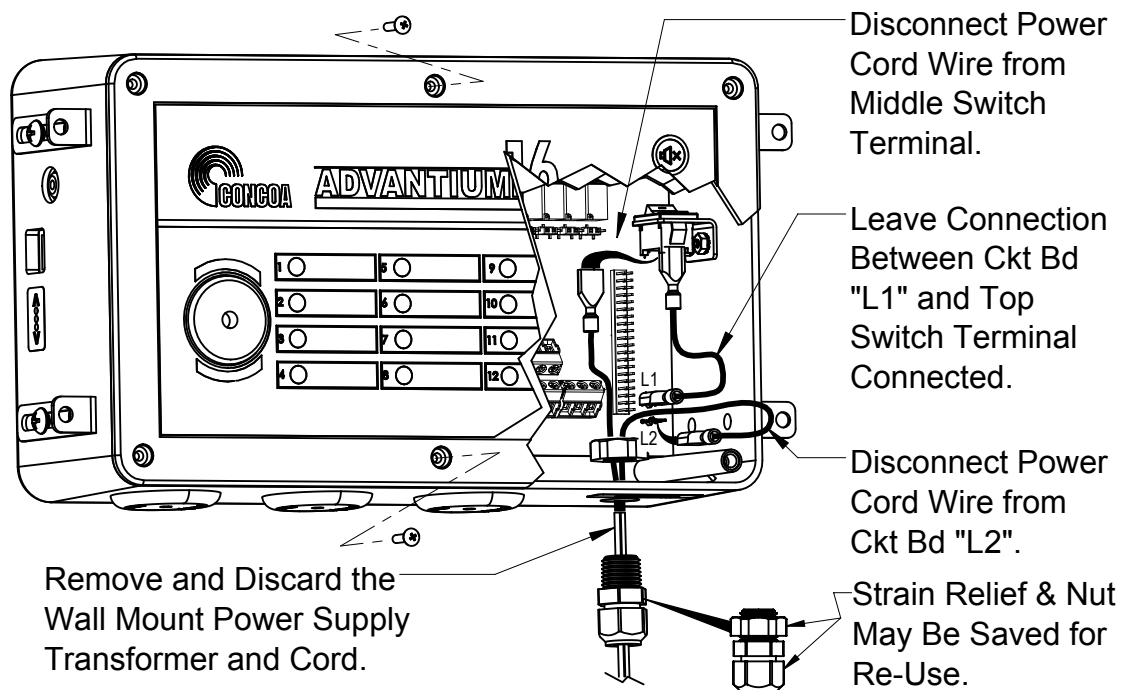
Install the (4) mounting brackets for flush mount installation as shown, allowing for the drywall thickness.



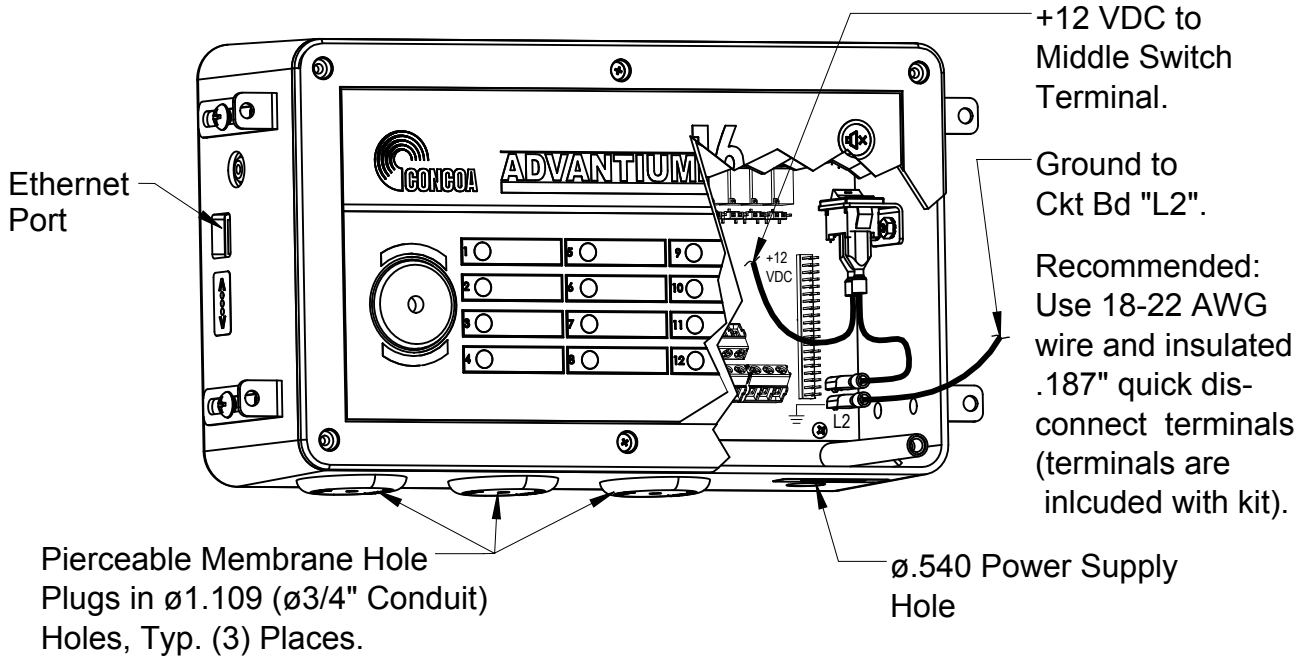
Remove and DISCARD the (4) cover screws at the (4) cover corners (center screws remain in-place).

2 • Remove and SAVE Front Cover Center Screws. • Remove Front Cover.

• Remove Wall Transformer & Power Cable Assembly.



3 Supply Power and Alarm Inputs Through Holes in Bottom of Alarm Enclosure as Indicated Below:



4 Install Alarm in Wall:

