



14th Floor, Centre Tower
3300 Bloor Street West
Toronto, Ontario
Canada M8X 2X4
Tel.: 416.734.3300
Fax: 416.231.1626
Toll Free: 1.877.682.8772

www.tssa.org

August 09, 2013

JOHN FRIEDRICHS
CONTROLS CORPORATION OF AMERICA
1501 HARPERS RD
VIRGINIA BEACH VA 23454
US

Service Request Type.: BPV-National CSA
Service Request No.: 1068770
Your Reference No.: DISTRIBUTION SYSTEMS - PHASE 1- CAT H FITTING
Registered to.: CONTROLS CORPORATION OF AMERICA

Dear JOHN FRIEDRICHS,

Please find enclosed the original response from QC,SK, registered under the CRN No.: CSA-0H15806.56.

As all jurisdictional fees are handled by the Technical Standards and Safety Authority (TSSA), you do not pay any jurisdictions directly.

Should you have any questions or require further assistance, I will be happy to assist you.
For general enquiries, please contact a Customer Service Advisor at 1.877.682.TSSA (8772) or e-mail customerservices@tssa.org. When contacting TSSA regarding this file, please refer to the Service Request number provided above.

Yours truly,

Tanya Francis
Administrative Assistant_ BPV Engineering
Tel. : 416-734-3423
Fax : 416-231-6183
Email : tfrancis@tssa.org


CONCOA CRN Testing Summary Sheet

Package 2 - Type H
529007X

Scope: 529007X Station Drop Compressed Gas Systems

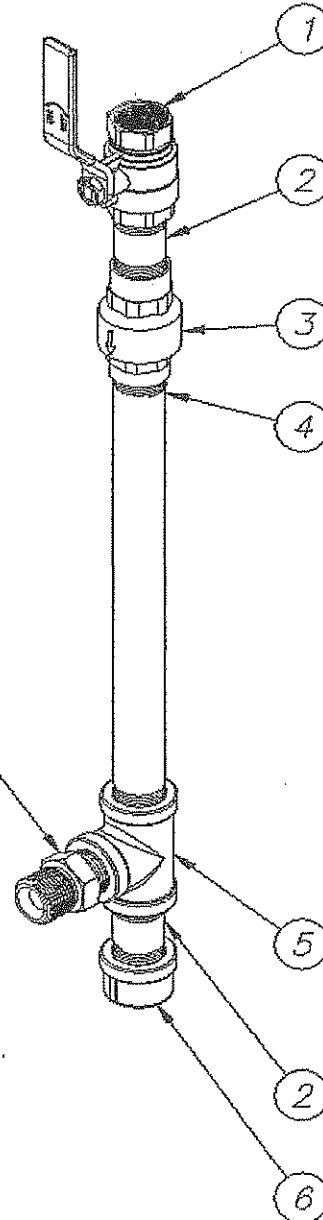
Comments: For items with existing CRN numbers, see attached sheet for pressure ratings. Total internal volume is well under 1.5 cu. ft.

Item	CRN / Test Data / Exclusions
1	OA8728.5
2	OA8728.5
3	See 8350471 burst test data attached
4	OA8728.5
5	OA8728.5
6	OA8728.5
7	See 8030434 burst test data attached


CANADIAN STANDARDS ASSOCIATION
M Lot 8
 ATTACHMENT TO
 CRN CSA-0H15806.56
 SIGNED *Bikramjit Sandhu*
 178 Rexdale Boulevard, Toronto, ON Canada M9W 1R3

Sketch:

THIS IS PART OF
CRN 0H15806.5
 Technical Standards & Safety Authority
 Boilers & Pressure Vessels
 Safety Program
lival FEB 12/13



Note:

Test results reflect testing of the highest rated inlet and outlet pressures of the entire series - testing the components with the thinnest wall thickness and weakest materials (worst case items in the design). All models in scope have same geometry, same materials of construction, same or lower pressure ratings, and the same temperature ratings as the tested items.

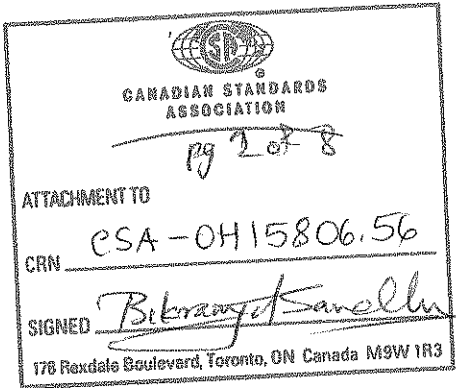
CONCOA CRN Testing Summary Sheet

Package 3 - Type H
5022XXX

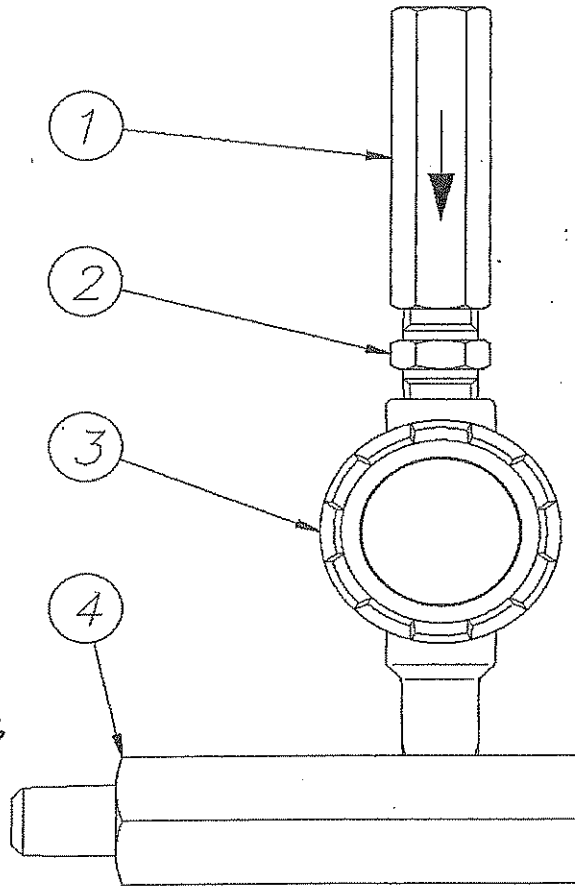
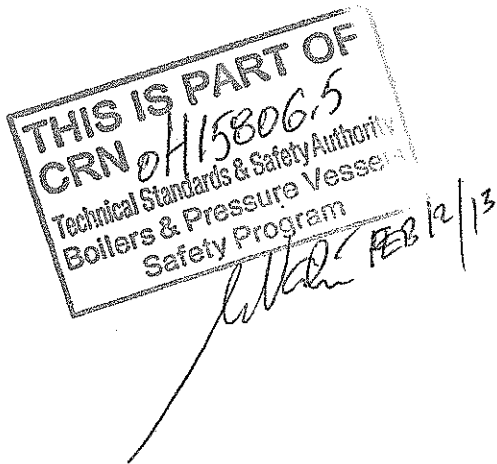
Scope: 5022XXX Compressed Gas Tee Purge Systems

Comments: For items with existing CRN numbers, see attached sheet for pressure ratings. Total internal volume is well under 1.5 cu. ft.

Item	CRN / Test Data / Exclusions
1	OC12577.5C
2	See 5534104 burst test data attached
3	OH5216.5R1
4	See 5022001 and 5022002 burst test data attached



Sketch:



Note:

Test results reflect testing of the highest rated inlet and outlet pressures of the entire series - testing the components with the thinnest wall thickness and weakest materials (worst case items in the design). All models in scope have same geometry, same materials of construction, same or lower pressure ratings, and the same temperature ratings as the tested items.

CONCOA CRN Testing Summary Sheet

Package 4 - Type H
628


Scope:

628 Manifold Compressed Gas Systems (pigtailed on some models shall require a separate valid CRN - Items 4 from sketch below is excluded from this listing)

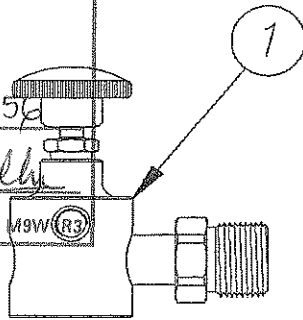
Comments:

For items with existing CRN numbers, see attached sheet for pressure ratings. Total internal volume is well under 1.5 cu. ft.

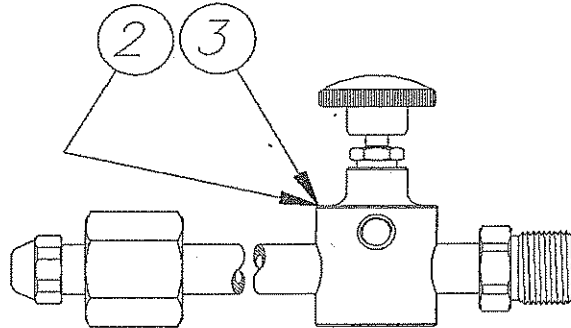
Item	CRN / Test Data / Exclusions
1	See 8291849 burst test data attached
2	6" extension - See 8291851 burst test data attached
3	12" extension - See 8291847 burst test data attached
4	Excluded from this listing


CANADIAN STANDARDS ASSOCIATION
 Pg 3 of 8

ATTACHMENT TO
 CRN CSA-OH15806, 5a
 SIGNED B. Krausz / Sandhu
 178 Rexdale Boulevard, Toronto, ON Canada M9W 1R3

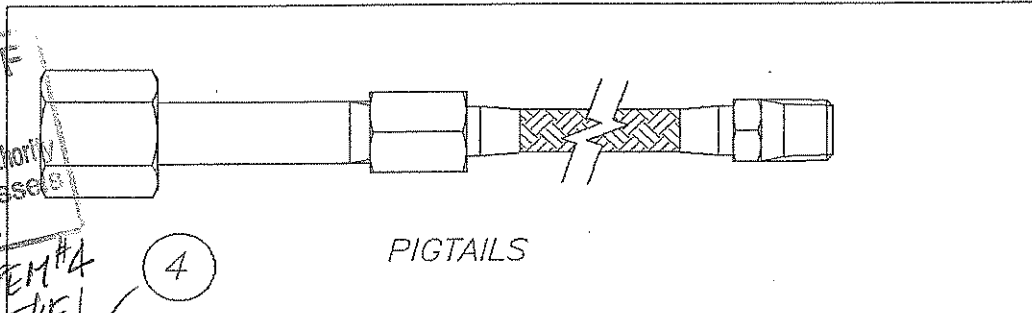


STARTER BLOCK



EXTENSION

Sketch:



PIGTAILS

THIS IS PART OF CRN OH
 Technical Standards & Safety Authority
 Boilers & Pressure Vessels
 Safety Program

NOTE: PIGTAILS ITEM #4 is EXCLUDED FROM THE SCOPE OF REGISTRATION FEB 12/13

Note:

Test results reflect testing of the highest rated inlet and outlet pressures of the entire series - testing the components with the thinnest wall thickness and weakest materials (worst case items in the design). All models in scope have same geometry, same materials of construction, same or lower pressure ratings, and the same temperature ratings as the tested items.


CONCOA CRN Testing Summary Sheet

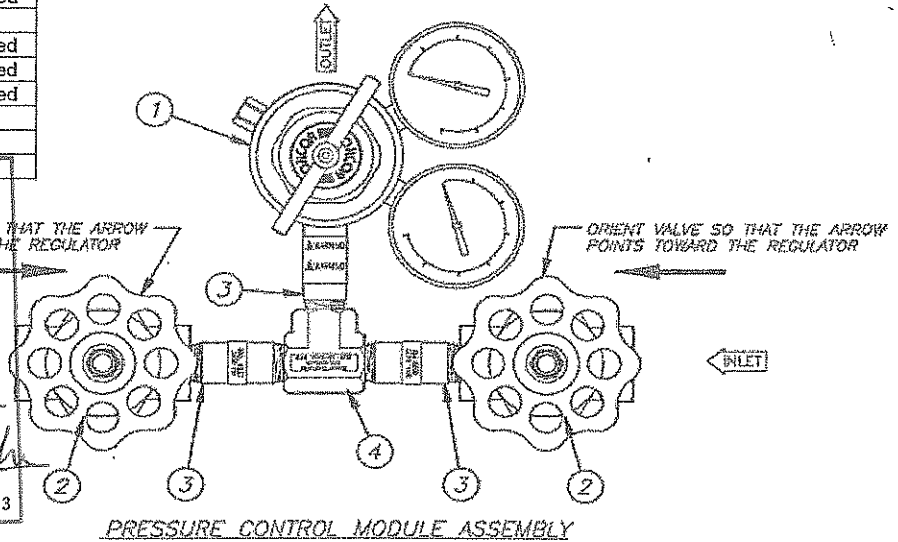
Package 5 - Type H
631/633

Scope: 631/633 Series Compressed Gas Systems (manifolds on some models shall require a separate valid CRN - Items 8,9 and 10 from sketch below are excluded from this listing)

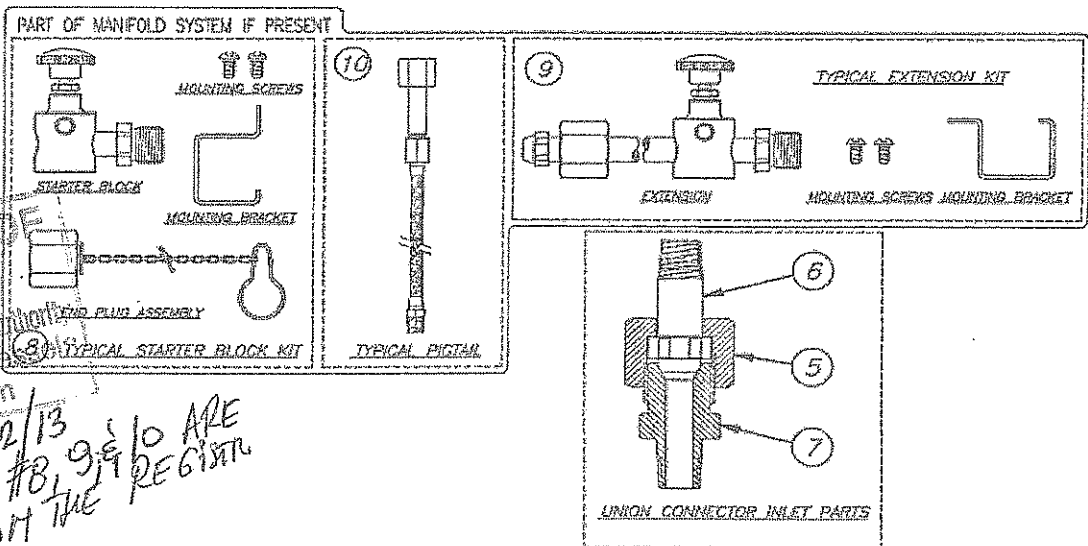
Comments: For items with existing CRN numbers, see attached sheet for pressure ratings. Total internal volume is well under 1.5 cu. ft.

Item	CRN / Test Data / Exclusions
1	OF11809.2
2	OH7770.5R1
3	See 8306499 burst test attached
4	CRN OA4093.2
5	See 8291839 burst test attached
6	See 8291840 burst test attached
7	See 8306498 burst test attached
8	Excluded from this listing
9	Excluded from this listing
10	Excluded from this listing


 CANADIAN STANDARDS ASSOCIATION
 ORIENT VALVE SO THAT THE ARROW POINTS TOWARD THE REGULATOR
 pg 4 of 8
 ATTACHMENT TO
 CRN CSA-OH15806.56
 SIGNED Bikramjit Samal
 178 Rexdale Boulevard, Toronto, ON Canada M9W 1R3



Sketch:



THIS IS PART OF CRN OH15806.5
 Technical Standards & Safety
 Boilers & Pressure Vessels
 Safety Program
 Valid FEB 12/13
 NOTE: ITEMS #8, 9, & 10 ARE EXCLUDED FROM THE REGISTER

Note: Test results reflect testing of the highest rated inlet and outlet pressures of the entire series - testing the components with the thinnest wall thickness and weakest materials (worst case items in the design). All models in scope have same geometry, same materials of construction, same or lower pressure ratings, and the same temperature ratings as the tested items.

CONCOA CRN Testing Summary Sheet

Package 6 - Type H
632

Scope: 632 Series Compressed Gas Systems (manifolds and pigtails on some models shall require a separate valid CRN - Items 13 and 14 from sketch below are excluded from this listing)

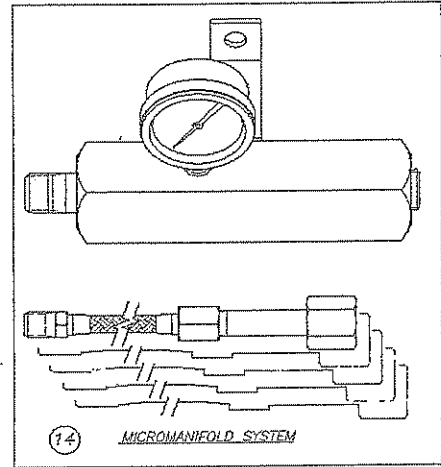
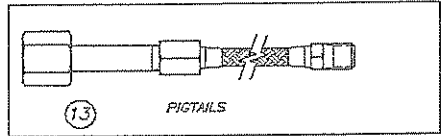
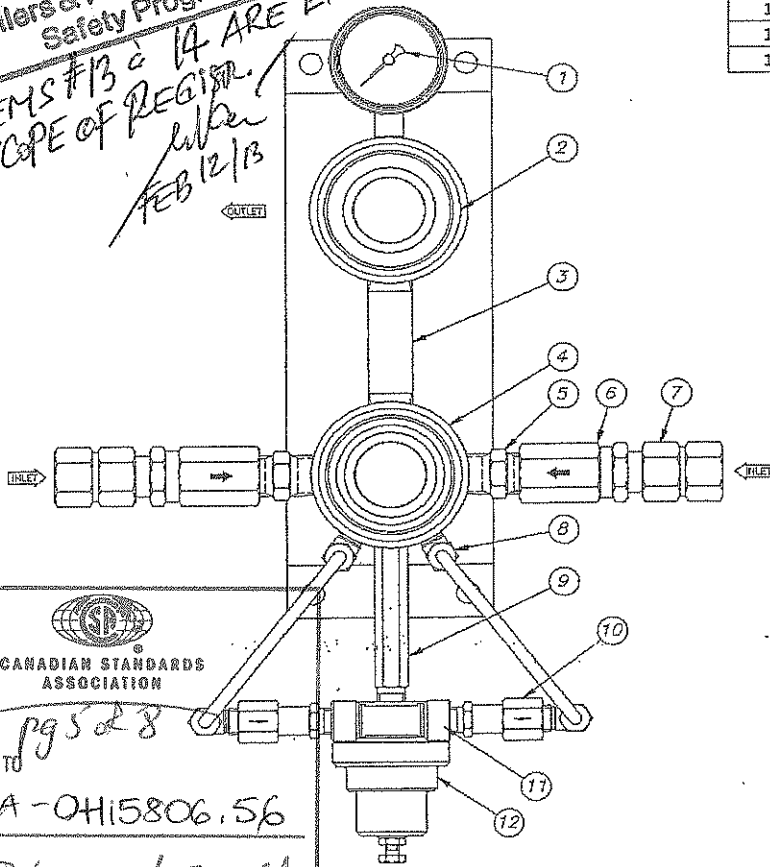
Comments: For items with existing CRN numbers, see attached sheet for pressure ratings. Total internal volume is well under 1.5 cu. ft.


Item	CRN / Test Data / Exclusions
1	OF8241.5 or OF2026.2
2	OF11809.2
3	See 8306230 burst test attached
4	See 632 Switch Reg burst test attached
5	See 8306499 burst test attached
6	OA12577.5C or OA4093.2
7	OA12577.5C
8	OA12577.5C, OA4093.2 or OA9866.5
9	OA12577.5C, OA4093.2 or OA9866.5
10	OA12577.5C
11	OA4093.2
12	OH7770.5R1
13	Excluded from this listing
14	Excluded from this listing

**THIS IS PART OF
CRN OH15806.5
Technical Standards & Safety Authority
Boilers & Pressure Vessels
Safety Program**

*NOTE: ITEMS #13 & 14 ARE EXCLUDED FROM THE SCOPE OF REGISTRATION
FEB 12/13*

Sketch:




CANADIAN STANDARDS ASSOCIATION
 pg 5 of 8
 ATTACHMENT TO
 CRN CSA-OH15806.56
 SIGNED Bikramjit Sandhu
 178 Rexdale Boulevard, Toronto, ON Canada M9W 1R3

Note: Test results reflect testing of the highest rated inlet and outlet pressures of the entire series - testing the components with the thinnest wall thickness and weakest materials (worst case items in the design). All models in scope have same geometry, same materials of construction, same or lower pressure ratings, and the same temperature ratings as the tested items.


CONCOA CRN Testing Summary Sheet

Package 7 - Type H
629

Scope: 629 Series Micro Manifold Compressed Gas Systems

Comments: For items with existing CRN numbers, see attached sheet for pressure ratings. Total internal volume is well under 1.5 cu. ft.

Item	CRN / Test Data / Exclusions
1	Excluded from this listing
2	See 8350080 burst test data attached
3	See 8309746 burst test data attached
4	Excluded from this listing
5	Excluded from this listing


CANADIAN STANDARDS ASSOCIATION

pg 6 of 8

ATTACHMENT TO
CRN CSA-0415806.56

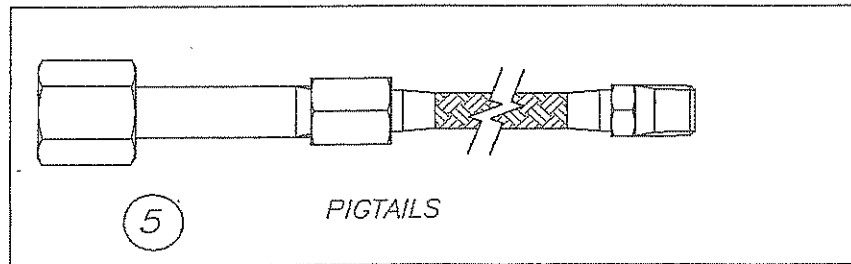
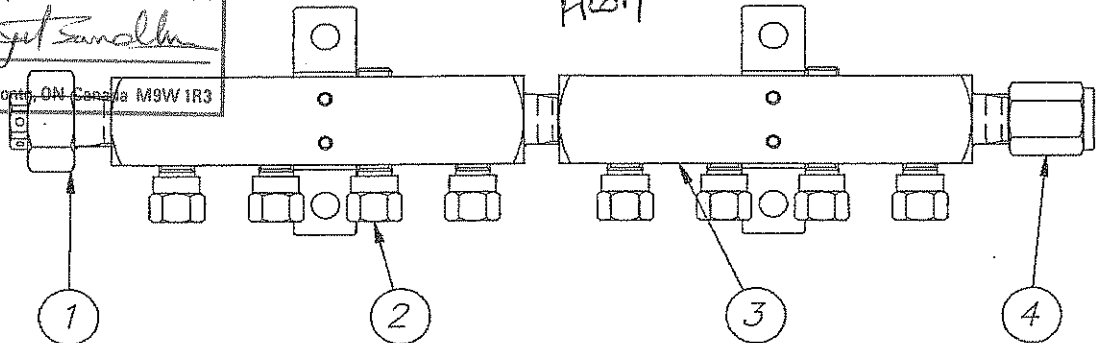
SIGNED Bikramjit Sandhu

178 Rexdale Boulevard, Toronto, ON Canada M9W 1R3

THIS IS PART OF
CRN 0415806.5
 Technical Standards & Safety Authority
 Boilers & Pressure Vessels
 Safety Program

NOTE: ITEMS #1, 4 & 5 ARE EXCLUDED FROM THE SCOPE OF REGISTRATION
Feb 12/13

Sketch:



Note:

Test results reflect testing of the highest rated inlet and outlet pressures of the entire series - testing the components with the thinnest wall thickness and weakest materials (worst case items in the design). All models in scope have same geometry, same materials of construction, same or lower pressure ratings, and the same temperature ratings as the tested items.


CONCOA CRN Testing Summary Sheet

Package 8 - Type H
52B, 52C, 52S

Scope: 52B, 52C and 52S Manifold Compressed Gas Systems (pigtailed on some models shall require a separate valid CRN - Items 4 from sketch below is excluded from this listing)

Comments: For items with existing CRN numbers, see attached sheet for pressure ratings. Total internal volume is well under 1.5 cu. ft.

Item	CRN / Test Data / Exclusions
1	OH5216.5R1
2	6" brass - See 8292007 burst test attached
2	6" stainless - See 8294007 burst test attached
2	12" brass - See 8292008 burst test attached
2	12" stainless - See 8294008 burst test attached
3	OH5216.5R1
4	Excluded from this listing


CANADIAN STANDARDS ASSOCIATION
pg 7 of 8

ATTACHMENT TO
 CRN CSA-OH15806.56

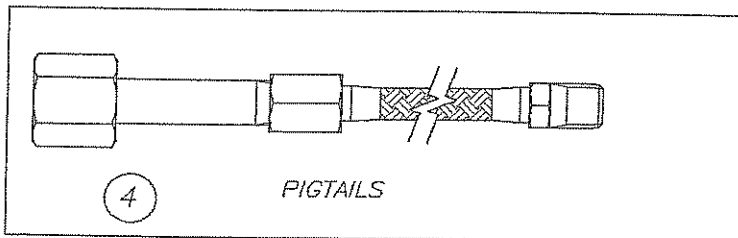
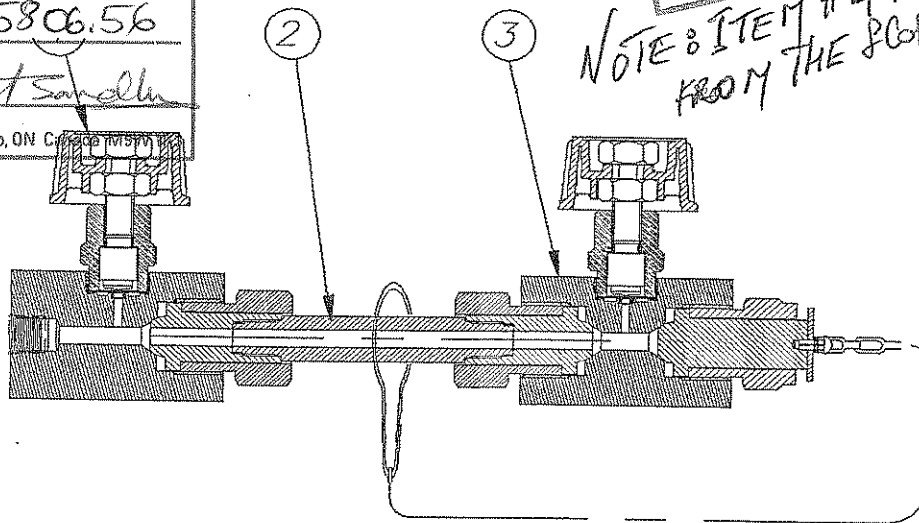
SIGNED Bikramjit Sandhu

178 Rexdale Boulevard, Toronto, ON C

THIS IS PART OF
CRN OH15806.5
 Technical Standards & Safety Authority
 Boilers & Pressure Vessels
 Safety Program

*NOTE: ITEM #4 IS EXCLUDED FROM THE SCOPE OF REGISTERED CRN
 FEB 12/13*

Sketch:



Note:

Test results reflect testing of the highest rated inlet and outlet pressures of the entire series - testing the components with the thinnest wall thickness and weakest materials (worst case items in the design). All models in scope have same geometry, same materials of construction, same or lower pressure ratings, and the same temperature ratings as the tested items.

CONCOA CRN Testing Summary Sheet


Package 9 - Type H
526/527/620

Scope:

526/527/620 Series Compressed Gas Systems (manifold connectors and pigtails on some models shall require a separate valid CRN - Items 6 and 7 from sketch below are excluded from this listing)

Comments:

For items with existing CRN numbers, see attached sheet for pressure ratings. Total internal volume is well under 1.5 cu. ft.



CANADIAN STANDARDS ASSOCIATION

Pg 8 of 8

ATTACHMENT TO

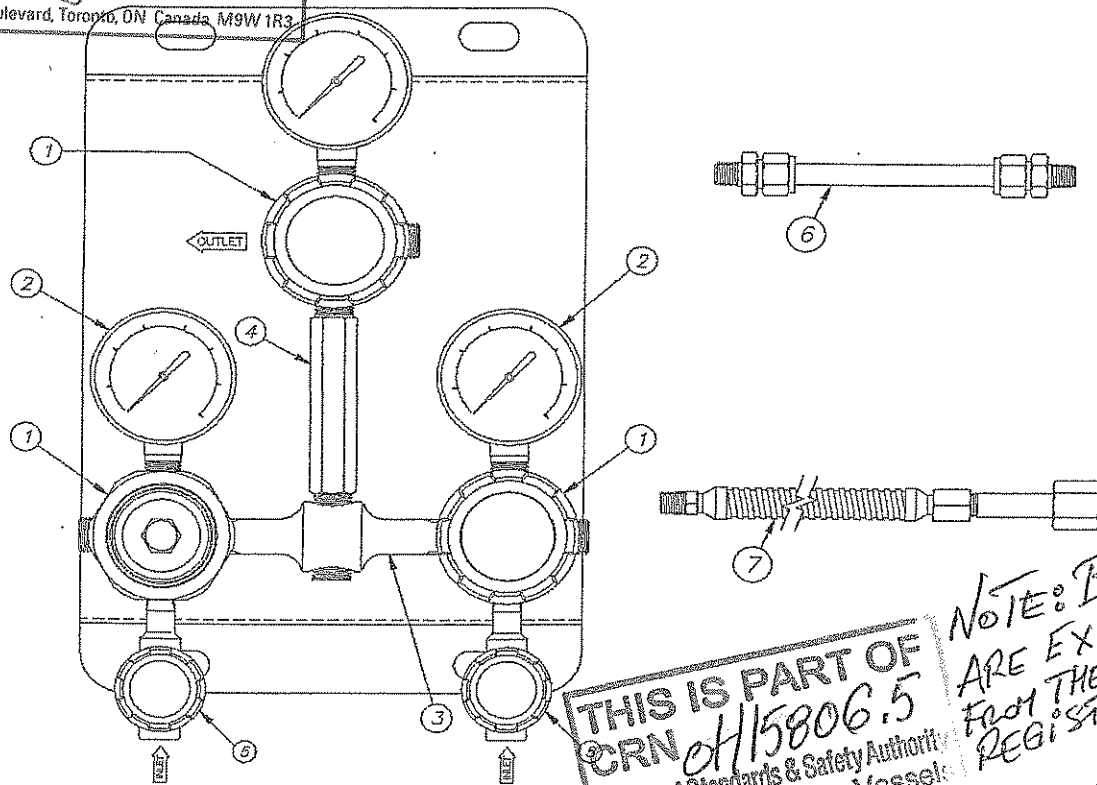
CRN CSA-OH15806.5

SIGNED Bikramjit Sandhu

178 Rexdale Boulevard, Toronto, ON Canada, M9W 1R3

Item	CRN / Test Data / Exclusions
1	OH5216.5R1
2	OF2026.2 or OF8241.5
3	See 8307641 and 8307643 burst tests attached
4	See 8308014 and 8308015 burst tests attached
5	OH5216.5R1
6	Excluded from this listing
7	Excluded from this listing

Sketch:



THIS IS PART OF
CRN OH15806.5
 Technical Standards & Safety Authority
 Boilers & Pressure Vessels
 Safety Program

NOTE: ITEMS #6 & 7
 ARE EXCLUDED
 FROM THE SCOPE OF
 REGISTRATION
 FEB 12/13

Note:

Test results reflect testing of the highest rated inlet and outlet pressures of the entire series - testing the components with the thinnest wall thickness and weakest materials (worst case items in the design). All models in scope have same geometry, same materials of construction, same or lower pressure ratings, and the same temperature ratings as the tested items.



14th Floor, Centre Tower
3300 Bloor Street West
Toronto, Ontario
Canada M8X 2X4
Tel.: 416.734.3300
Fax: 416.231.1626
Toll Free: 1.877.682.8772

www.tssa.org

August 09, 2013

JOHN FRIEDRICHS
CONTROLS CORPORATION OF AMERICA
1501 HARPERS RD
VIRGINIA BEACH VA 23454
US

Service Request Type.: BPV-National CSA
Service Request No.: 1068858
Your Reference No.: DISTRIBUTION SYSTEMS - PHASE 1
Registered to.: CONTROLS CORPORATION OF AMERICA

Dear JOHN FRIEDRICHS,

Please find enclosed the original response from QC,SK, registered under the CRN No.: CSA-0F15806.56.

As all jurisdictional fees are handled by the Technical Standards and Safety Authority (TSSA), you do not pay any jurisdictions directly.

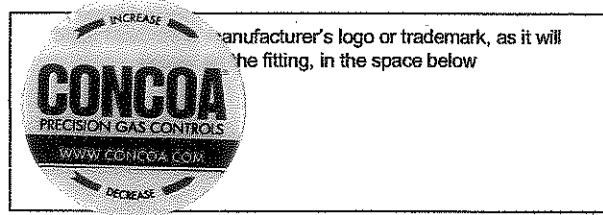
Should you have any questions or require further assistance, I will be happy to assist you.
For general enquiries, please contact a Customer Service Advisor at 1.877.682.TSSA (8772) or e-mail customerservices@tssa.org. When contacting TSSA regarding this file, please refer to the Service Request number provided above.

Yours truly,

Tanya Francis
Administrative Assistant_ BPV Engineering
Tel. : 416-734-3423
Fax : 416-231-6183
Email : tfrancis@tssa.org



TECHNICAL STANDARDS &
SAFETY AUTHORITY
14th Floor, Centre Tower
3300 Bloor Street West
Toronto, Ontario
Canada M8X 2X4



manufacturer's logo or trademark, as it will
fit, in the space below

STATUTORY DECLARATION

Registration of Fittings

I, John Friedrichs - Engineer II
(Name and Position, e.g. President, Plant Manager, Chief Engineer)

of Controls Corporation of America
(Name of Manufacturer)

Located at 1501 Harpers Road, Virginia Beach, VA 23454, USA 757-422-8330 757-422-3125
(Plant Address) *(Telephone No.)* *(Fax No.)*

do solemnly declare that the fittings listed hereunder, which are subject to the **Technical Standards and Safety Act**, Boilers and Pressure Vessels Regulation, comply with all of the requirements of

(Title of recognized North American Standard)
which specifies the dimensions, materials of construction, pressure/temperature ratings, identification marking the fittings and service;

or are not covered by the provisions of a recognized North American standard and are therefore manufactured to comply with 4x max inlet burst test as supported by the attached data which identifies the dimensions, material of construction, pressure/temperature ratings and the basis for such ratings, the marking of the fitting for identification and service.

I further declare that the manufacture of these fittings is controlled by a quality system meeting the requirements of ISO 9001
which has been verified by the following authority, Intertek Services Corporation.

The items covered by this declaration, for which I seek registration, are category F type fittings. In support of this application, the following information and/or test data are attached as follows:
Catalog Page, Drawings, Excel Spreadsheets, and Burst Test Data
(drawings, calculations, test reports, etc.)

Declared before me at VIRGINIA BEACH in the STATE of VIRGINIA
the 1 day of FEB AD 20 13.

Commissioner for Oaths:

Michelle Irving # 7015528
(Printed name)

(Signature)

exp. 31 MAR 2014

(Signature of Declarer)

FOR OFFICE USE ONLY

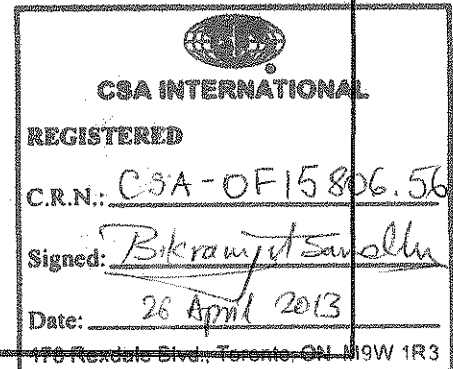
To the best of my knowledge and belief, the application meets the requirements of the **Technical Standards and Safety Act**, Boilers and Pressure Vessels Regulation, and CSA Standard B51 and is accepted for registration in Category 'F'.

CRN: CSA - OF15806.56

Registered by: B. SANDHU

Dated: APRIL 26, 2013

NOTE: This registration expires on: FEB. 11. 2023



PV 09553 (11/12)

Note: Concoa 700 Series Style Flowmeters. See the attachment for details.

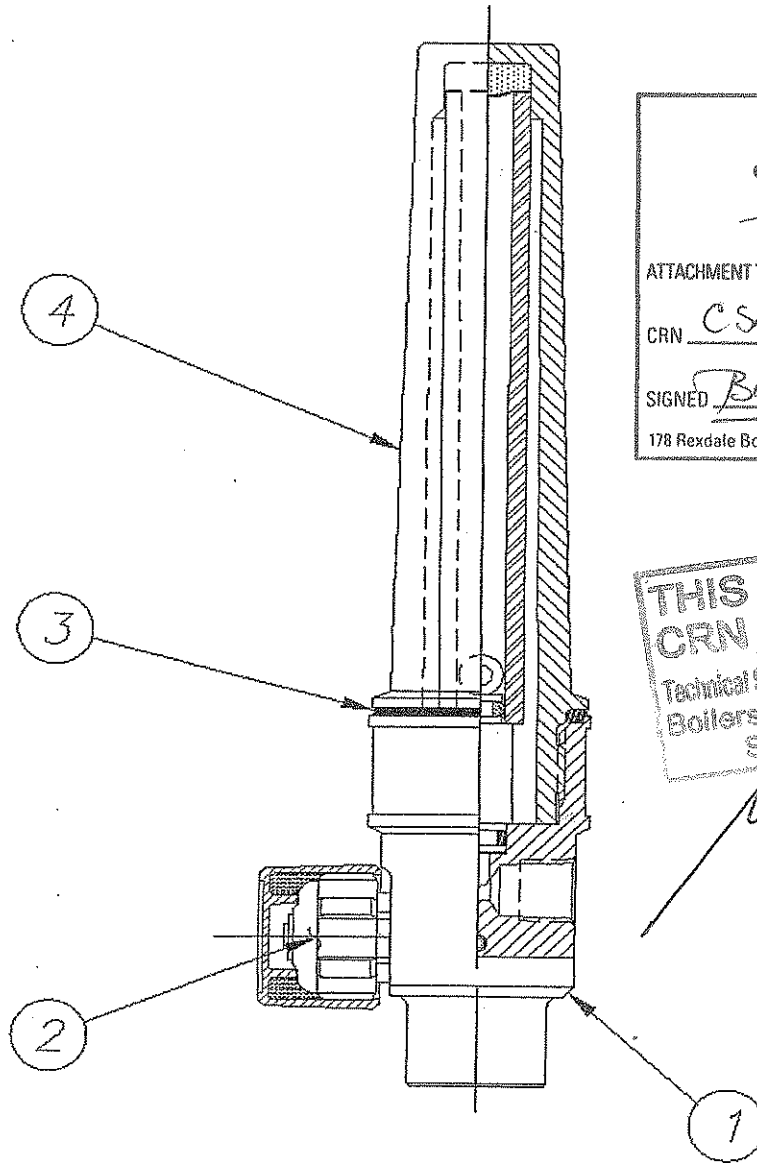
CONCOA CRN Testing Summary Sheet

Package 10 - Type F
700 Flowmeters

Scope: CONCOA 700 Series Style Flowmeters - using 8014405 flowtube casing

Comments: CONCOA 700 series style flowmeters consist of a brass body (Item 1 below), Valve or plug (Item 2 below), a blowout safety sealing ring (item 3 below), internal flowtube components, and an outer flowtube casing (Item 4 below). CONCOA uses 5 different bodies (Item 1), each having a different outlet connection (bottom of view); therefore, each of the bodies was burst tested to show compliance with CRN requirements (fully assembled into complete flowmeters using items shown below).

Sketch:



Note:

Test results reflect testing of the highest rated inlet and outlet pressures of the entire series - testing the components with the thinnest wall thickness and weakest materials (worst case items in the design). All models in scope have same geometry, same materials of construction, same or lower pressure ratings, and the same temperature ratings as the tested items.



14th Floor, Centre Tower
3300 Bloor Street West
Toronto, Ontario
Canada M8X 2X4
Tel.: 416.734.3300
Fax: 416.231.1626
Toll Free: 1.877.682.8772

www.tssa.org

July 19, 2013

JOHN FRIEDRICHS
CONTROLS CORPORATION OF AMERICA
1501 HARPERS RD
VIRGINIA BEACH VA 23454
US

Service Request Type.: BPV-National MB
Service Request No.: 1068774
Your Reference No.: DISTRIBUTION SYSTEMS - PHASE 1- CAT H FITTING
Registered to.: CONTROLS CORPORATION OF AMERICA

Dear JOHN FRIEDRICHS,

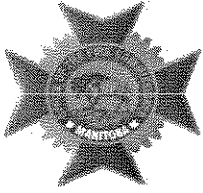
Please find enclosed the original response from MB, registered under the CRN No.: 0H15806.54.

As all jurisdictional fees are handled by the Technical Standards and Safety Authority (TSSA), you do not pay any jurisdictions directly.

Should you have any questions or require further assistance, I will be happy to assist you. For general enquiries, please contact a Customer Service Advisor at 1.877.682.TSSA (8772) or e-mail customerservices@tssa.org. When contacting TSSA regarding this file, please refer to the Service Request number provided above.

Yours truly,

Tanya Francis
Administrative Assistant_ BPV Engineering
Tel.: 416-734-3423
Fax: 416-231-6183
Email: tfrancis@tssa.org



Inspection and Technical Services Manitoba
500 - 401 York Avenue
Winnipeg Manitoba R3C 0P8
T (204) 945-3373
F (204) 948-2309
www.firecomm.gov.mb.ca/codes_steam_pressure.html

June 12, 2013

TSSA
3300 Bloor St. W, Center Tower, 14th Floor
Toronto, ON
M8X 2X4

Attn: Tanya Francis

REGISTRATION OF VALVES AND FITTINGS

Manufacturer: Controls Corporation of America

The design(s) for the following Valves/Fittings has been received by us and has been examined and accepted for registration in the Province of Manitoba as follows.

DRAWING / CATALOGUE	CRN	FILE
Distribution Systems	0H15806.54	32655


An invoice covering survey and registration fees is enclosed.

***NOTE:** CRN registered under Reciprocal Agreement and is conditional based on compliance with the notes set by the initial issuing jurisdiction, (TSSA). This registration includes the following Series: CONCOA 529007X, 5022XXX, 628, 629, 631/633, 632, 52B/52C/52S and 526/527/620. This registration expires February 6, 2023.*

This registration is valid until the indicated expiry date only if the Manufacturer maintains a valid quality management system approved by an acceptable third-party agency until that date. Should the approval of the quality management system lapse before the expiry date indicated above, this registration shall become void.

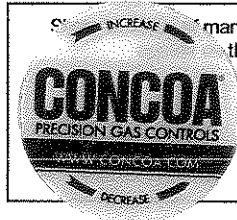
The registration of this design does not relieve the manufacturer, the owner or his agent of the responsibility for the design or construction of a fitting in accordance with the applicable Acts, Codes and Standards. Inspection and Technical Services assumes no responsibility by registering designs, examining plans and/or inspecting equipment or facility.

Yours truly,


for
Ryan DeLury, C.E.T.
Senior Design Surveyor, Inspection and Technical Services



**TECHNICAL STANDARDS &
SAFETY AUTHORITY**
14th Floor, Centre Tower
3300 Bloor Street West
Toronto, Ontario
Canada M8X 2X4



manufacturer's logo or trademark, as it will
the fitting, in the space below

**STATUTORY DECLARATION
Registration of Fittings**

I, John Friedrichs - Engineer II
(Name and Position, e.g. President, Plant Manager, Chief Engineer)

of Controls Corporation of America
(Name of Manufacturer)

Located at 1501 Harpers Road, Virginia Beach, VA 23454, USA 757-422-8330 757-422-3125
(Plant Address) (Telephone No.) (Fax No.)

do solemnly declare that the fittings listed hereunder, which are subject to the **Technical Standards and Safety Act**, Boilers and Pressure Vessels Regulation, comply with all of the requirements of

(Title of recognized North American Standard)
which specifies the dimensions, materials of construction, pressure/temperature ratings, identification marking the fittings and service;

or are not covered by the provisions of a recognized North American standard and are therefore manufactured to comply with 4x max inlet burst test _____ as supported by the attached data which identifies the dimensions, material of construction, pressure/temperature ratings and the basis for such ratings, the marking of the fitting for identification and service.

I further declare that the manufacture of these fittings is controlled by a quality system meeting the requirements of ISO 9001
which has been verified by the following authority, Intertek Services Corporation.

The items covered by this declaration, for which I seek registration, are category H type fittings. In support of this application, the following information and/or test data are attached as follows:
Catalog Page, Drawings, Excel Spreadsheets, and Burst Test Data

(drawings, calculations, test reports, etc.)

Declared before me at VIRGINIA BEACH in the STATE of VIRGINIA
the 1 day of FEB AD 20 13.

Commissioner for Oaths:

NICHOLE KING
(Printed name)

[Signature]
(Signature) 31 MAY 2014-EX

[Signature]
(Signature of Declarer)

FOR OFFICE USE ONLY

To the best of my knowledge and belief, the application meets the requirements of the **Technical Standards and Safety Act**, Boilers and Pressure Vessels Regulation, and CSA Standard B51 and is accepted for registration in Category H.

CRN: OH15806.54

Registered by: [Signature]

Dated: JUNE 5, 2013

NOTE: This registration expires on: FEB 6, 2023

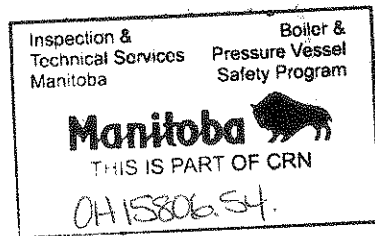
CONCOA CRN Testing Summary Sheet

Package 2 - Type H
529007X

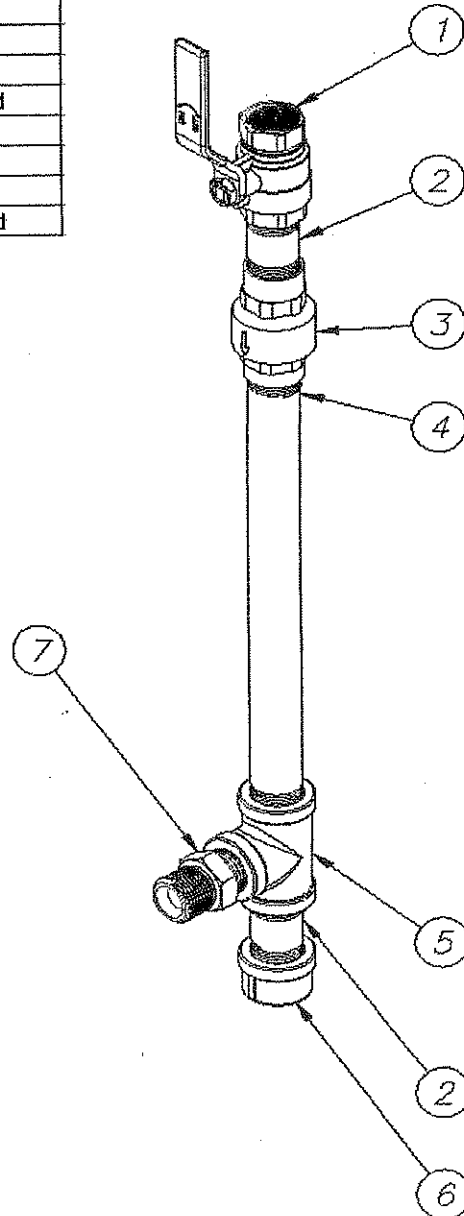
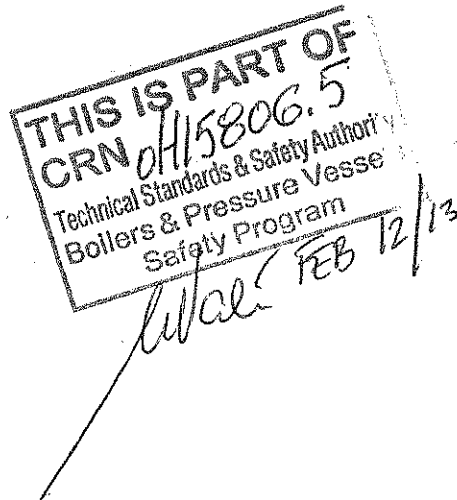
Scope: 529007X Station Drop Compressed Gas Systems

Comments: For items with existing CRN numbers, see attached sheet for pressure ratings. Total internal volume is well under 1.5 cu. ft.

Item	CRN / Test Data / Exclusions
1	OA8728.5
2	OA8728.5
3	See 8350471 burst test data attached
4	OA8728.5
5	OA8728.5
6	OA8728.5
7	See 8030434 burst test data attached



Sketch:



Note:

Test results reflect testing of the highest rated inlet and outlet pressures of the entire series - testing the components with the thinnest wall thickness and weakest materials (worst case items in the design). All models in scope have same geometry, same materials of construction, same or lower pressure ratings, and the same temperature ratings as the tested items.

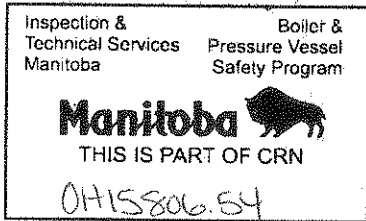
CONCOA CRN Testing Summary Sheet

Package 3 - Type H
5022XXX

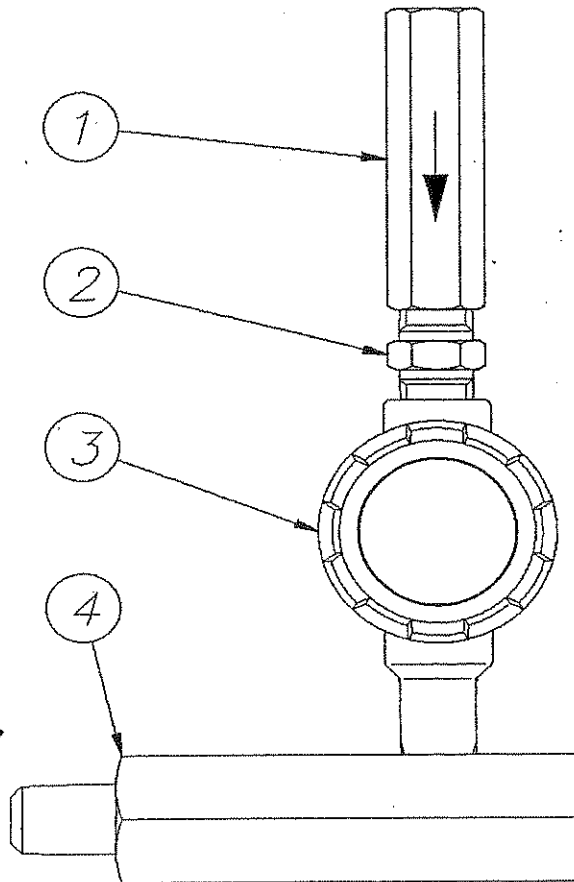
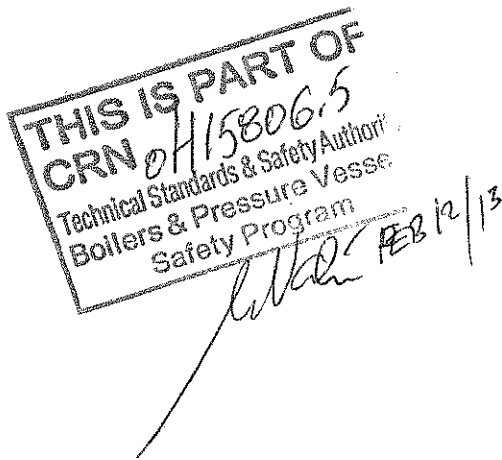
Scope: 5022XXX Compressed Gas Tee Purge Systems

Comments: For items with existing CRN numbers, see attached sheet for pressure ratings. Total internal volume is well under 1.5 cu. ft.

Item	CRN / Test Data / Exclusions
1	OC12577.5C
2	See 5534104 burst test data attached
3	OH5216.5R1
4	See 5022001 and 5022002 burst test data attached



Sketch:



Note:

Test results reflect testing of the highest rated inlet and outlet pressures of the entire series - testing the components with the thinnest wall thickness and weakest materials (worst case items in the design). All models in scope have same geometry, same materials of construction, same or lower pressure ratings, and the same temperature ratings as the tested items.

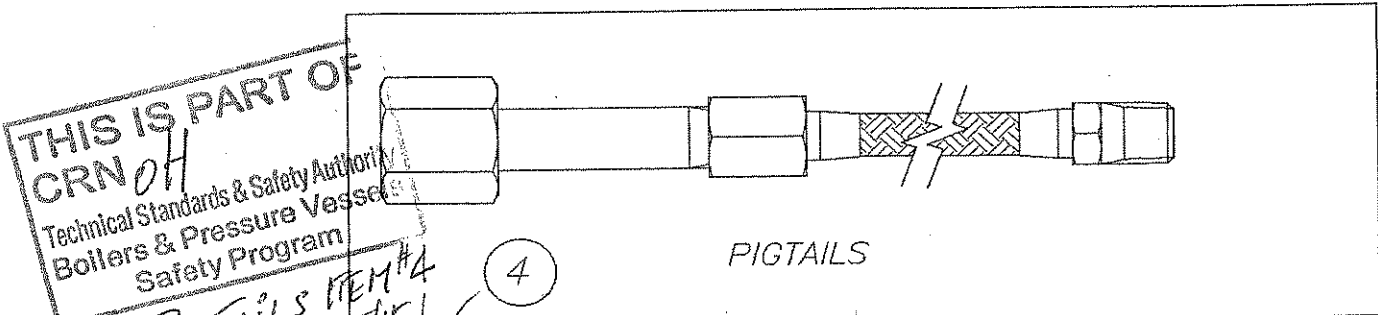
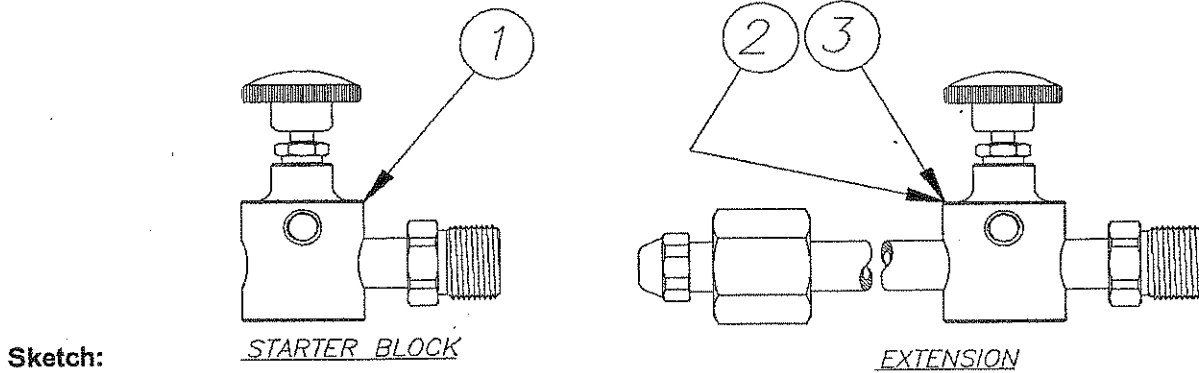
CONCOA CRN Testing Summary Sheet

Package 4 - Type H
628

Scope: 628 Manifold Compressed Gas Systems (pigtails on some models shall require a separate valid CRN - Items 4 from sketch below is excluded from this listing)

Comments: For items with existing CRN numbers, see attached sheet for pressure ratings. Total internal volume is well under 1.5 cu. ft.

Item	CRN / Test Data / Exclusions
1	See 8291849 burst test data attached
2	6" extension - See 8291851 burst test data attached
3	12" extension - See 8291847 burst test data attached
4	Excluded from this listing



THIS IS PART OF CRN OH
 Technical Standards & Safety Authority
 Boilers & Pressure Vessels
 Safety Program

NOTE: PIGTAILS ITEM #4 IS EXCLUDED FROM THE SCOPE OF REGISTRATION. FEB 12/13

Inspection & Technical Services
 Manitoba

Boiler & Pressure Vessel Safety Program

Manitoba

THIS IS PART OF CRN

OH15806.54

Note: Test results reflect testing of the highest rated inlet and outlet pressures of the entire series - testing the components with the thinnest wall thickness and weakest materials (worst case items in the design). All models in scope have same geometry, same materials of construction, same or lower pressure ratings, and the same temperature ratings as the tested items.

CONCOA CRN Testing Summary Sheet

Package 5 - Type H
631/633

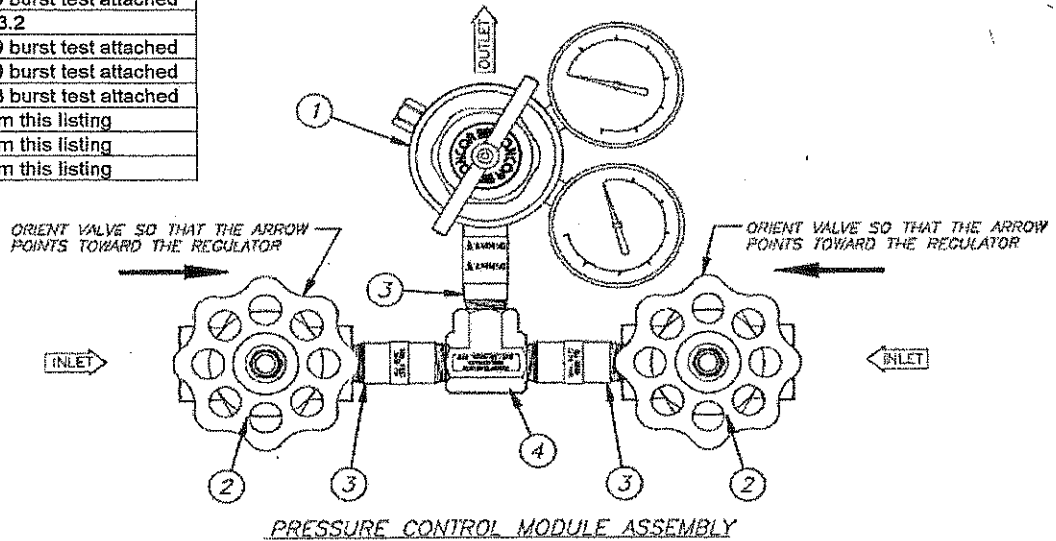
Scope:

631/633 Series Compressed Gas Systems (manifolds on some models shall require a separate valid CRN - Items 8,9 and 10 from sketch below are excluded from this listing)

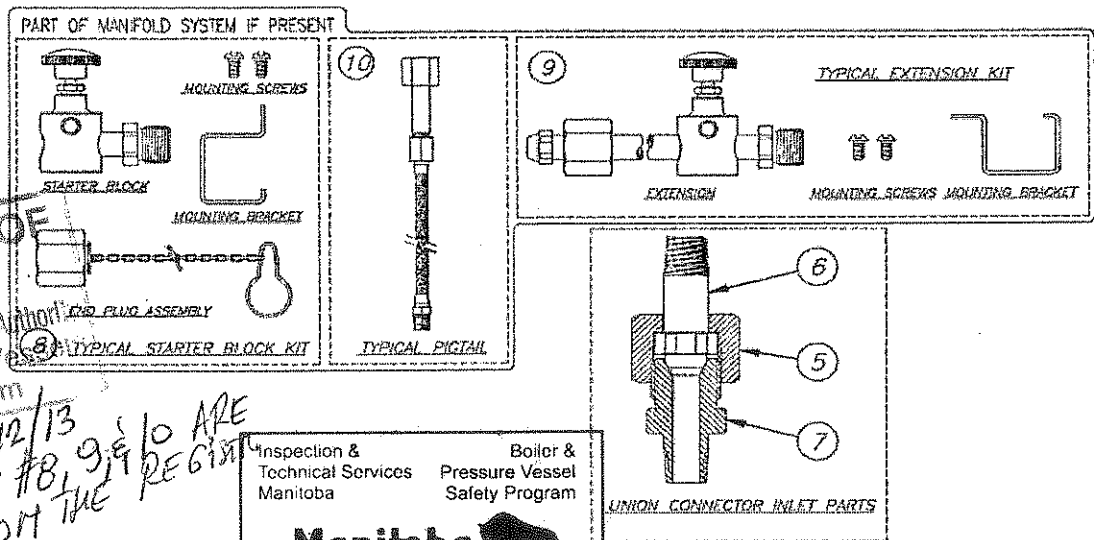
Comments:

For items with existing CRN numbers, see attached sheet for pressure ratings. Total internal volume is well under 1.5 cu. ft.

Item	CRN / Test Data / Exclusions
1	OF11809.2
2	OH7770.5R1
3	See 8306499 burst test attached
4	CRN OA4093.2
5	See 8291839 burst test attached
6	See 8291840 burst test attached
7	See 8306498 burst test attached
8	Excluded from this listing
9	Excluded from this listing
10	Excluded from this listing



Sketch:



Inspection & Technical Services
Manitoba

Boiler & Pressure Vessel Safety Program

Manitoba

THIS IS PART OF CRN
OH 15806.54

THIS IS PART OF CRN OH15806.5
Technical Standards & Safety Authority
Boilers & Pressure Vessels Safety Program
cut off FEB 12/13
NOTE: ITEMS #8, 9 & 10 ARE EXCLUDED FROM THE REGISTER

Note:

Test results reflect testing of the highest rated inlet and outlet pressures of the entire series - testing the components with the thinnest wall thickness and weakest materials (worst case items in the design). All models in scope have same geometry, same materials of construction, same or lower pressure ratings, and the same temperature ratings as the tested items.


CONCOA CRN Testing Summary Sheet

Package 6 - Type H
632

Scope: 632 Series Compressed Gas Systems (manifolds and pigtails on some models shall require a separate valid CRN - Items 13 and 14 from sketch below are excluded from this listing)

Comments: For items with existing CRN numbers, see attached sheet for pressure ratings. Total internal volume is well under 1.5 cu. ft.

Inspection & Technical Services Manitoba
Boiler & Pressure Vessel Safety Program

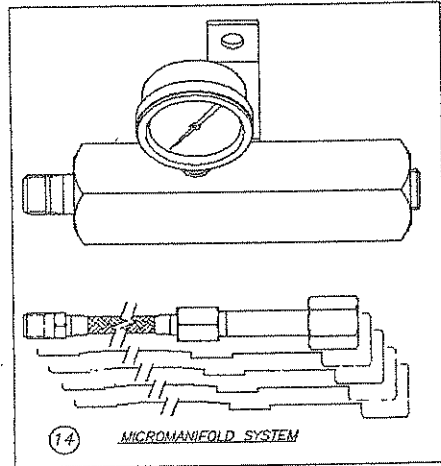
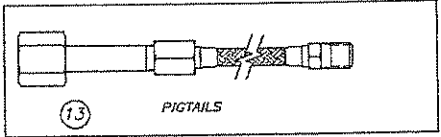
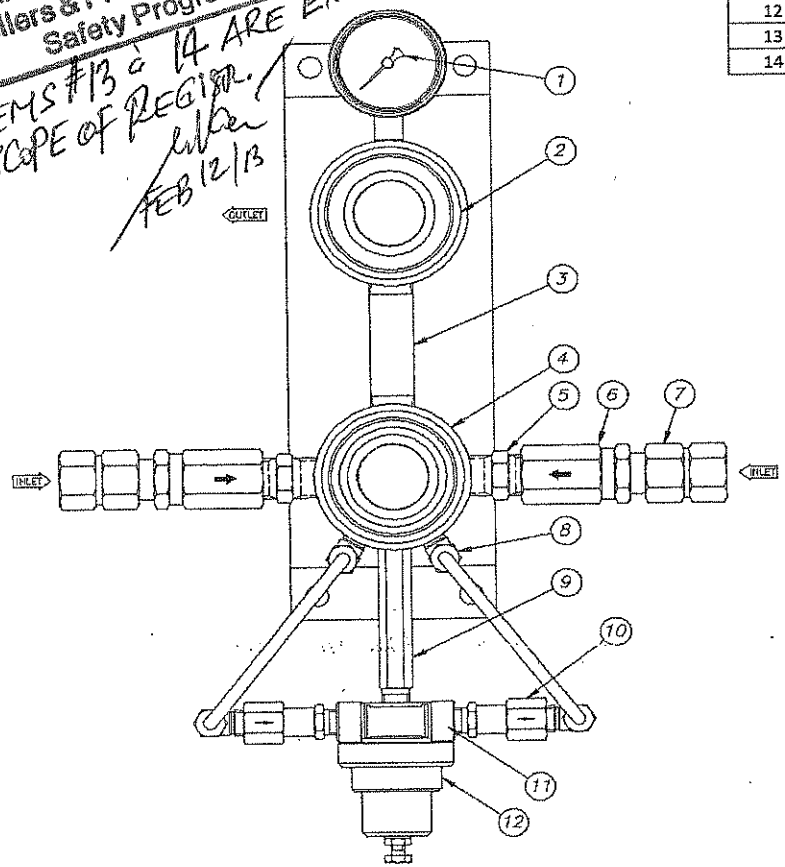
Manitoba 
THIS IS PART OF CRN
OH15806.54

Item	CRN / Test Data / Exclusions
1	OF8241.5 or OF2026.2
2	OF11809.2
3	See 8306230 burst test attached
4	See 632 Switch Reg burst test attached
5	See 8306499 burst test attached
6	OA12577.5C or OA4093.2
7	OA12577.5C
8	OA12577.5C, OA4093.2 or OA9866.5
9	OA12577.5C, OA4093.2 or OA9866.5
10	OA12577.5C
11	OA4093.2
12	OH7770.5R1
13	Excluded from this listing
14	Excluded from this listing

THIS IS PART OF CRN OH15806.5
Technical Standards & Safety Authority
Boilers & Pressure Vessels
Safety Program

NOTE: ITEMS #13 & 14 ARE EXCLUDED FROM THE SCOPE OF REGISTRATION. FEB 12/13

Sketch:



Note:

Test results reflect testing of the highest rated inlet and outlet pressures of the entire series - testing the components with the thinnest wall thickness and weakest materials (worst case items in the design). All models in scope have same geometry, same materials of construction, same or lower pressure ratings, and the same temperature ratings as the tested items.

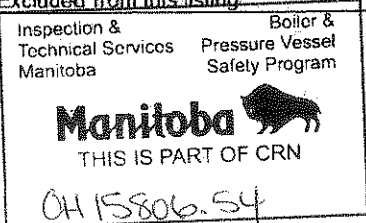
CONCOA CRN Testing Summary Sheet

Package 7 - Type H
629

Scope: 629 Series Micro Manifold Compressed Gas Systems

Comments: For items with existing CRN numbers, see attached sheet for pressure ratings. Total internal volume is well under 1.5 cu. ft.

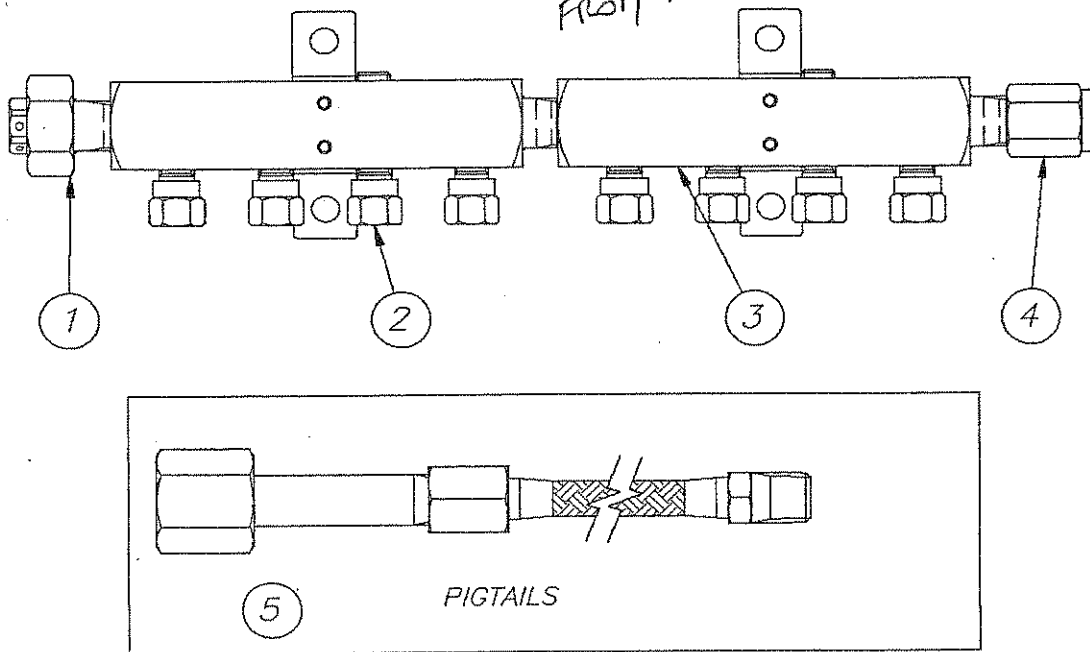
Item	CRN / Test Data / Exclusions
1	Excluded from this listing
2	See 8350080 burst test data attached
3	See 8309746 burst test data attached
4	Excluded from this listing
5	Excluded from this listing



THIS IS PART OF CRN OH15806.5
Technical Standards & Safety Authority
Boilers & Pressure Vessels
Safety Program

NOTE: ITEMS #1, 4 & 5 ARE EXCLUDED FROM THE SCOPE OF REGISTRATION
FEB 12/13

Sketch:



Note:

Test results reflect testing of the highest rated inlet and outlet pressures of the entire series - testing the components with the thinnest wall thickness and weakest materials (worst case items in the design). All models in scope have same geometry, same materials of construction, same or lower pressure ratings, and the same temperature ratings as the tested items.

CONCOA CRN Testing Summary Sheet

Package 8 - Type H
52B, 52C, 52S

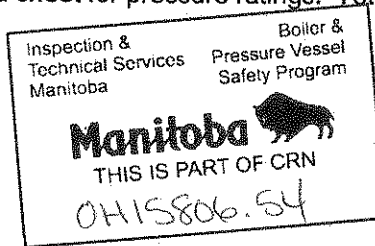
Scope:

52B, 52C and 52S Manifold Compressed Gas Systems (pigtails on some models shall require a separate valid CRN - Items 4 from sketch below is excluded from this listing)

Comments:

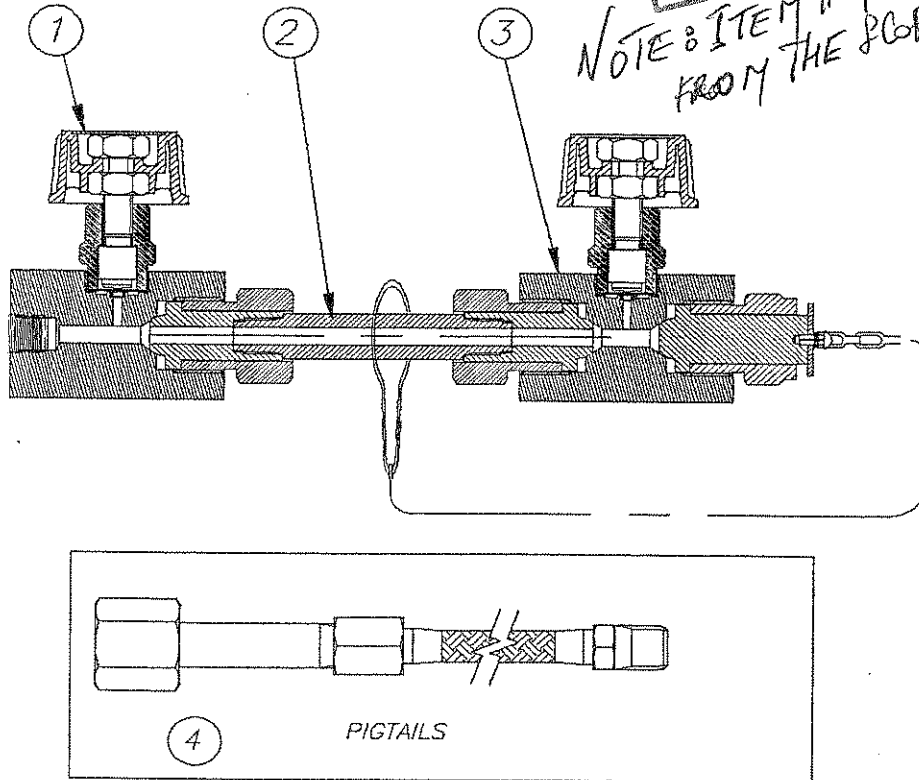
For items with existing CRN numbers, see attached sheet for pressure ratings. Total internal volume is well under 1.5 cu. ft.

Item	CRN / Test Data / Exclusions
1	OH5216.5R1
2	6" brass - See 8292007 burst test attached
2	6" stainless - See 8294007 burst test attached
2	12" brass - See 8292008 burst test attached
2	12" stainless - See 8294008 burst test attached
3	OH5216.5R1
4	Excluded from this listing



NOTE: ITEM #4 IS EXCLUDED FROM THE SCOPE OF REGISTRATION
led/can
FEB 12/13

Sketch:



Note:

Test results reflect testing of the highest rated inlet and outlet pressures of the entire series - testing the components with the thinnest wall thickness and weakest materials (worst case items in the design). All models in scope have same geometry, same materials of construction, same or lower pressure ratings, and the same temperature ratings as the tested items.

CONCOA CRN Testing Summary Sheet

Package 9 - Type H
526/527/620

Scope:

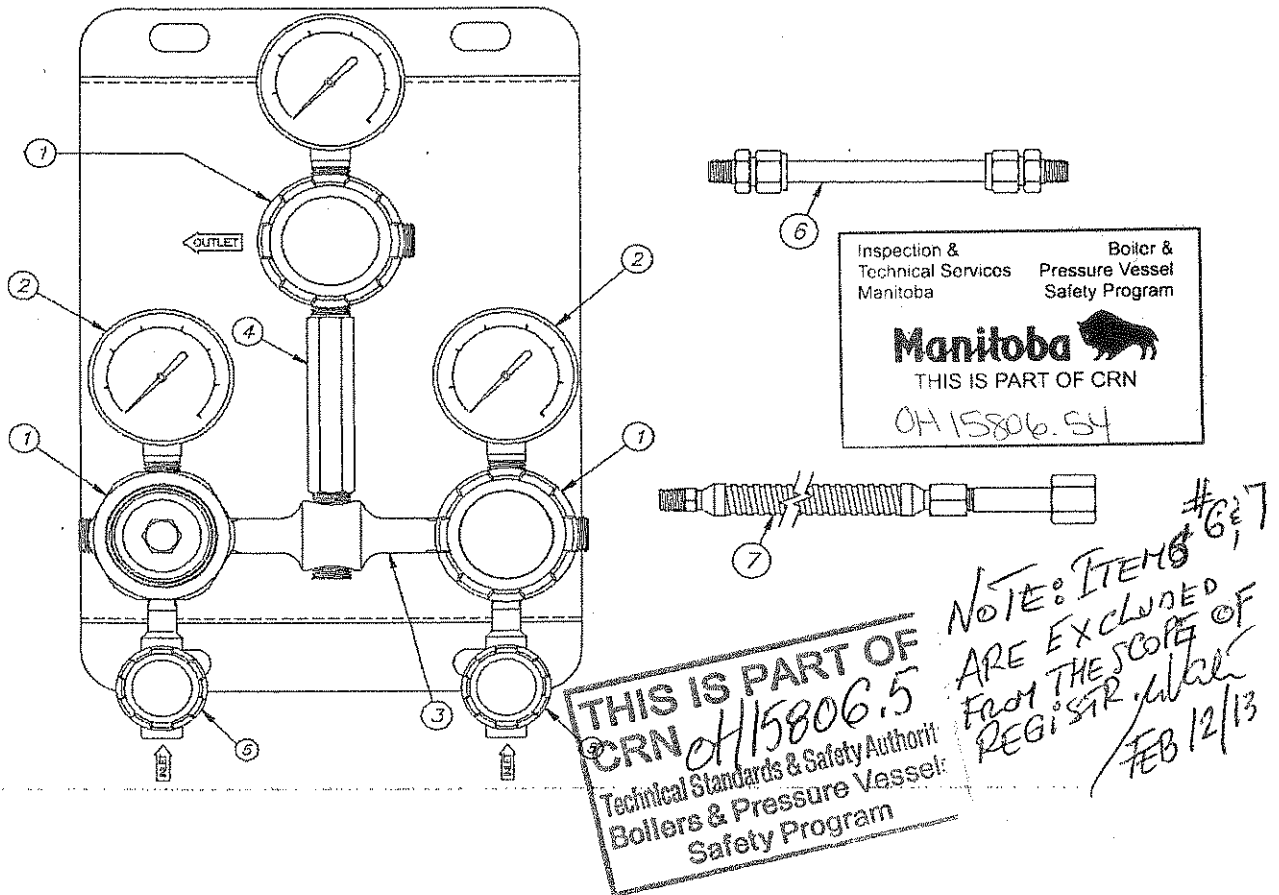
526/527/620 Series Compressed Gas Systems (manifold connectors and pigtails on some models shall require a separate valid CRN - Items 6 and 7 from sketch below are excluded from this listing)

Comments:

For items with existing CRN numbers, see attached sheet for pressure ratings. Total internal volume is well under 1.5 cu. ft.

Item	CRN / Test Data / Exclusions
1	OH5216.5R1
2	OF2026.2 or OF8241.5
3	See 8307641 and 8307643 burst tests attached
4	See 8308014 and 8308015 burst tests attached
5	OH5216.5R1
6	Excluded from this listing
7	Excluded from this listing

Sketch:



Note:

Test results reflect testing of the highest rated inlet and outlet pressures of the entire series - testing the components with the thinnest wall thickness and weakest materials (worst case items in the design). All models in scope have same geometry, same materials of construction, same or lower pressure ratings, and the same temperature ratings as the tested items.



14th Floor, Centre Tower
3300 Bloor Street West
Toronto, Ontario
Canada M8X 2X4
Tel.: 416.734.3300
Fax: 416.231.1626
Toll Free: 1.877.682.8772

www.tssa.org

July 19, 2013

JOHN FRIEDRICHS
CONTROLS CORPORATION OF AMERICA
1501 HARPERS RD
VIRGINIA BEACH VA 23454
US

Service Request Type.: BPV-National MB
Service Request No.: 1068868
Your Reference No.: DISTRIBUTION SYSTEMS - PHASE 1
Registered to.: CONTROLS CORPORATION OF AMERICA

Dear JOHN FRIEDRICHS,

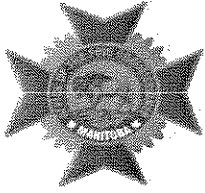
Please find enclosed the original response from MB, registered under the CRN No.: 0F15806.54.

As all jurisdictional fees are handled by the Technical Standards and Safety Authority (TSSA), you do not pay any jurisdictions directly.

Should you have any questions or require further assistance, I will be happy to assist you. For general enquiries, please contact a Customer Service Advisor at 1.877.682.TSSA (8772) or e-mail customerservices@tssa.org. When contacting TSSA regarding this file, please refer to the Service Request number provided above.

Yours truly,

Tanya Francis
Administrative Assistant_ BPV Engineering
Tel. : 416-734-3423
Fax : 416-231-6183
Email : tfrancis@tssa.org



Inspection and Technical Services Manitoba
500 - 401 York Avenue
Winnipeg Manitoba R3C 0P8
T (204) 945-3373
F (204) 948-2309
www.firecomm.gov.mb.ca/codes_steam_pressure.html

June 11, 2013

TSSA
3300 Bloor St. W, Center Tower, 14th Floor
Toronto, ON
M8X 2X4

Attn: Tanya Francis

REGISTRATION OF VALVES AND FITTINGS

Manufacturer: Controls Corporation of America

The design(s) for the following Valves/Fittings has been received by us and has been examined and accepted for registration in the Province of Manitoba as follows.

DRAWING / CATALOGUE	CRN	FILE
CONCOA 700 Series Style Flowmeters	0F15806.54	32654

An invoice covering survey and registration fees is enclosed.

***NOTE:** This registration expires February 11, 2023.*

This registration is valid until the indicated expiry date only if the Manufacturer maintains a valid quality management system approved by an acceptable third-party agency until that date. Should the approval of the quality management system lapse before the expiry date indicated above, this registration shall become void.

The registration of this design does not relieve the manufacturer, the owner or his agent of the responsibility for the design or construction of a fitting in accordance with the applicable Acts, Codes and Standards. Inspection and Technical Services assumes no responsibility by registering designs, examining plans and/or inspecting equipment or facility.

Yours truly,

Ryan DeLury, C.E.T.
Senior Design Surveyor, Inspection and Technical Services

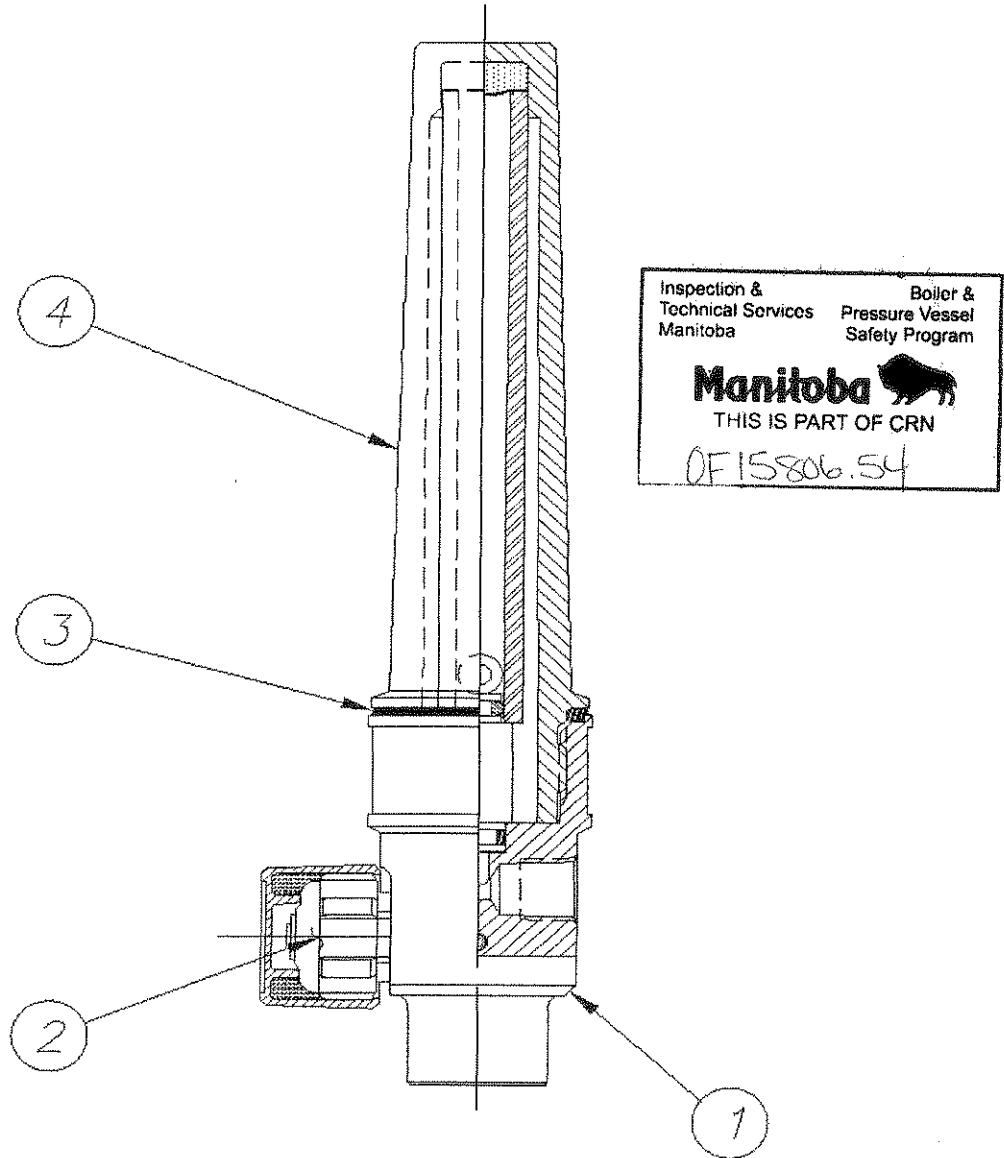
CONCOA CRN Testing Summary Sheet

Package 10 - Type F
700 Flowmeters

Scope: CONCOA 700 Series Style Flowmeters - using 8014405 flowtube casing

Comments: CONCOA 700 series style flowmeters consist of a brass body (Item 1 below), Valve or plug (Item 2 below), a blowout safety sealing ring (item 3 below), internal flowtube components, and an outer flowtube casing (Item 4 below). CONCOA uses 5 different bodies (Item 1), each having a different outlet connection (bottom of view); therefore, each of the bodies was burst tested to show compliance with CRN requirements (fully assembled into complete flowmeters using items shown below).

Sketch:



Note:

Test results reflect testing of the highest rated inlet and outlet pressures of the entire series - testing the components with the thinnest wall thickness and weakest materials (worst case items in the design). All models in scope have same geometry, same materials of construction, same or lower pressure ratings, and the same temperature ratings as the tested items.



14th Floor, Centre Tower
3300 Bloor Street West
Toronto, Ontario
Canada M8X 2X4
Tel.: 416.734.3300
Fax: 416.231.1626
Toll Free: 1.877.682.8772

www.tssa.org

August 09, 2013

JOHN FRIEDRICHS
CONTROLS CORPORATION OF AMERICA
1501 HARPERS RD
VIRGINIA BEACH VA 23454
US

Service Request Type.: BPV-National CSA
Service Request No.: 1068770
Your Reference No.: DISTRIBUTION SYSTEMS - PHASE 1- CAT H FITTING
Registered to.: CONTROLS CORPORATION OF AMERICA

Dear JOHN FRIEDRICHS,

Please find enclosed the original response from QC,SK, registered under the CRN No.: CSA-0H15806.56.

As all jurisdictional fees are handled by the Technical Standards and Safety Authority (TSSA), you do not pay any jurisdictions directly.

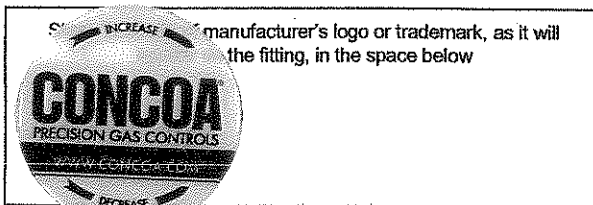
Should you have any questions or require further assistance, I will be happy to assist you.
For general enquiries, please contact a Customer Service Advisor at 1.877.682.TSSA (8772) or e-mail customerservices@tssa.org. When contacting TSSA regarding this file, please refer to the Service Request number provided above.

Yours truly,

Tanya Francis
Administrative Assistant_ BPV Engineering
Tel. : 416-734-3423
Fax : 416-231-6183
Email : tfrancis@tssa.org



TECHNICAL STANDARDS &
SAFETY AUTHORITY
14th Floor, Centre Tower
3300 Bloor Street West
Toronto, Ontario
Canada M8X 2X4



STATUTORY DECLARATION

Registration of Fittings

I, John Friedrichs - Engineer II
(Name and Position, e.g. President, Plant Manager, Chief Engineer)
of Controls Corporation of America
(Name of Manufacturer)

Located at 1501 Harpers Road, Virginia Beach, VA 23454, USA 757-422-8330 757-422-3125
(Plant Address) (Telephone No.) (Fax No.)

do solemnly declare that the fittings listed hereunder, which are subject to the **Technical Standards and Safety Act**, Boilers and Pressure Vessels Regulation, comply with all of the requirements of

_____ (Title of recognized North American Standard)
which specifies the dimensions, materials of construction, pressure/temperature ratings, identification marking the fittings and service;

or are not covered by the provisions of a recognized North American standard and are therefore manufactured to comply with 4x max inlet burst test _____ as supported by the attached data which identifies the dimensions, material of construction, pressure/temperature ratings and the basis for such ratings, the marking of the fitting for identification and service.

I further declare that the manufacture of these fittings is controlled by a quality system meeting the requirements of ISO 9001 which has been verified by the following authority, Intertek Services Corporation.

The items covered by this declaration, for which I seek registration, are category H type fittings. In support of

this application, the following information and/or test data are attached as follows:
Catalog Page, Drawings, Excel Spreadsheets, and Burst Test Data
(drawings, calculations, test reports, etc.)

Declared before me at VIRGINIA BEACH in the STATE of VIRGINIA
the 1 day of FEB AD 20 13.

Commissioner for Oaths:

NICHOLE KRING
(Printed name)

[Signature]
#9015528 (Signature) 31 MAY 2014 EXP

[Signature]
(Signature of Declarer)

FOR OFFICE USE ONLY

To the best of my knowledge and belief, the application meets the requirements of the **Technical Standards and Safety Act**, Boilers and Pressure Vessels Regulation, and CSA Standard B51 and is accepted for registration in Category H.

CRN: CSA - 04115806.56
Registered by: B. SANDHU
Dated: APRIL 26, 2013

NOTE: This registration expires on: FEB. 06, 2023

CSA INTERNATIONAL

REGISTERED

C.R.N.: CSA - 04115806.56

Signed: Bikramjit Samalhi

Date: 26 April 2013

17A Bexdale Blvd. Toronto, ON M1W 1R3

*Note: See the attachment for the scope of the registration.


CONCOA CRN Testing Summary Sheet

Package 2 - Type H
529007X

Scope: 529007X Station Drop Compressed Gas Systems

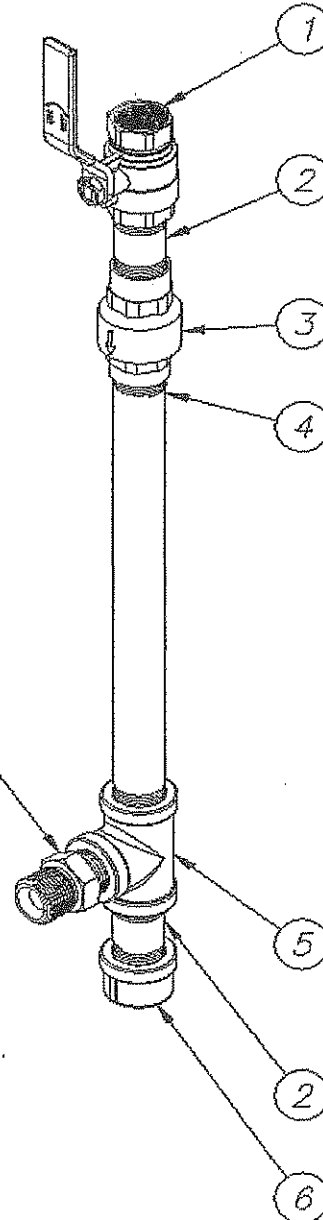
Comments: For items with existing CRN numbers, see attached sheet for pressure ratings. Total internal volume is well under 1.5 cu. ft.

Item	CRN / Test Data / Exclusions
1	OA8728.5
2	OA8728.5
3	See 8350471 burst test data attached
4	OA8728.5
5	OA8728.5
6	OA8728.5
7	See 8030434 burst test data attached


CANADIAN STANDARDS ASSOCIATION
M Lot 8
 ATTACHMENT TO
 CRN CSA-0H15806.56
 SIGNED *Bikramjit Sandhu*
 178 Rexdale Boulevard, Toronto, ON Canada M9W 1R3

Sketch:

THIS IS PART OF
CRN 0H15806.5
 Technical Standards & Safety Authority
 Boilers & Pressure Vessels
 Safety Program
lival FEB 12/13



Note:

Test results reflect testing of the highest rated inlet and outlet pressures of the entire series - testing the components with the thinnest wall thickness and weakest materials (worst case items in the design). All models in scope have same geometry, same materials of construction, same or lower pressure ratings, and the same temperature ratings as the tested items.

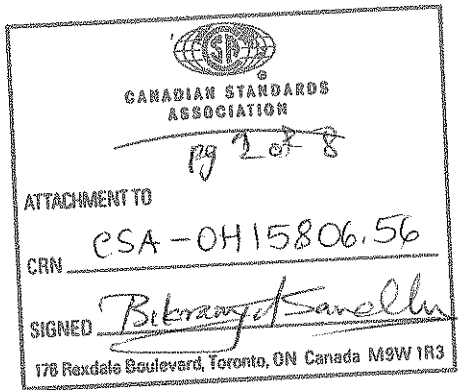
CONCOA CRN Testing Summary Sheet

Package 3 - Type H
5022XXX

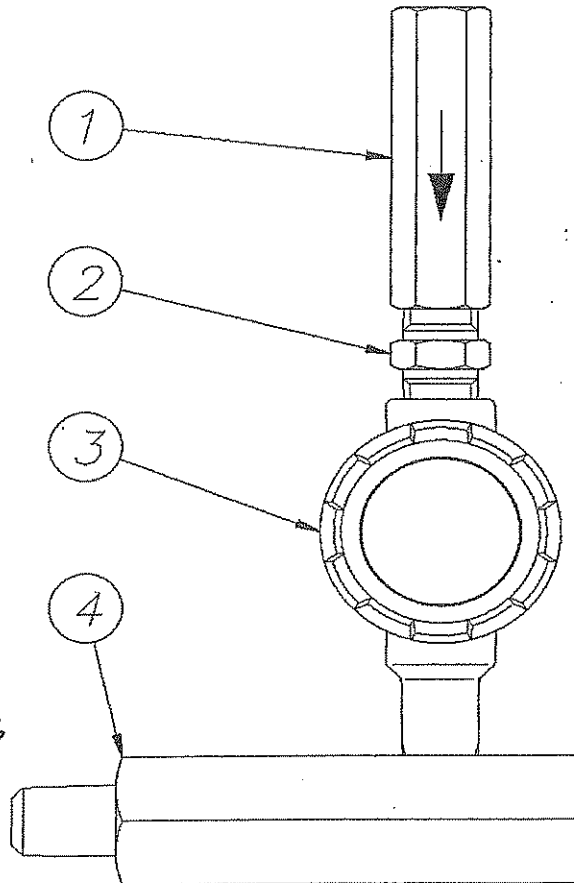
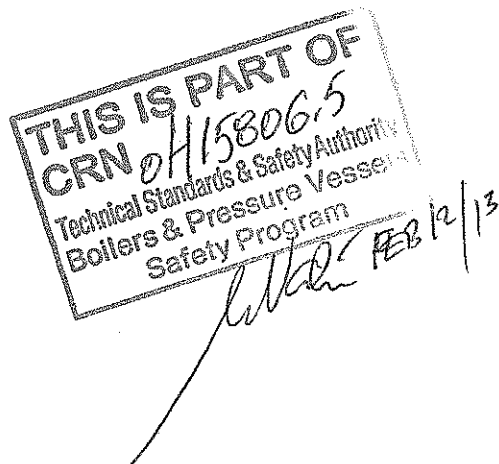
Scope: 5022XXX Compressed Gas Tee Purge Systems

Comments: For items with existing CRN numbers, see attached sheet for pressure ratings. Total internal volume is well under 1.5 cu. ft.

Item	CRN / Test Data / Exclusions
1	OC12577.5C
2	See 5534104 burst test data attached
3	OH5216.5R1
4	See 5022001 and 5022002 burst test data attached



Sketch:



Note:

Test results reflect testing of the highest rated inlet and outlet pressures of the entire series - testing the components with the thinnest wall thickness and weakest materials (worst case items in the design). All models in scope have same geometry, same materials of construction, same or lower pressure ratings, and the same temperature ratings as the tested items.

CONCOA CRN Testing Summary Sheet

Package 4 - Type H
628


Scope:

628 Manifold Compressed Gas Systems (pigtailed on some models shall require a separate valid CRN - Items 4 from sketch below is excluded from this listing)

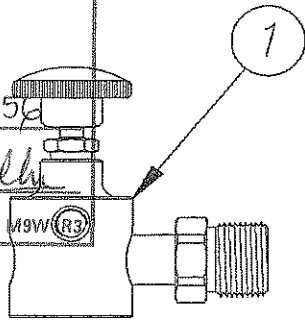
Comments:

For items with existing CRN numbers, see attached sheet for pressure ratings. Total internal volume is well under 1.5 cu. ft.

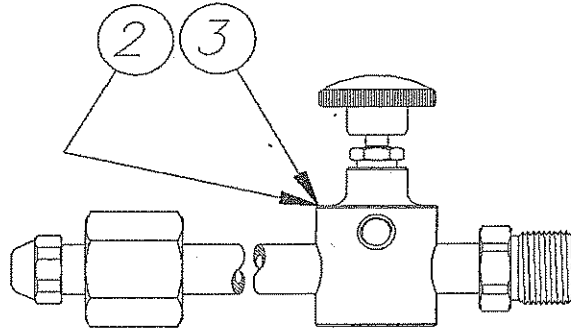
Item	CRN / Test Data / Exclusions
1	See 8291849 burst test data attached
2	6" extension - See 8291851 burst test data attached
3	12" extension - See 8291847 burst test data attached
4	Excluded from this listing


CANADIAN STANDARDS ASSOCIATION
 Pg 3 of 8

ATTACHMENT TO
 CRN CSA-OH15806, 52
 SIGNED B. Krausz / Sandhu
 178 Rexdale Boulevard, Toronto, ON Canada M9W 1R3

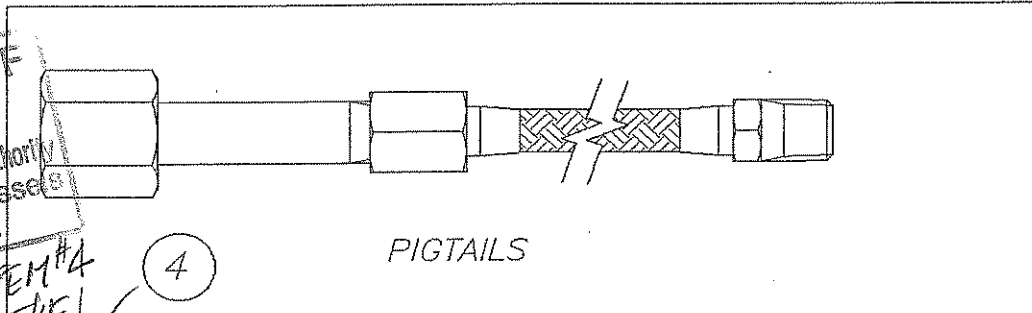


STARTER BLOCK



EXTENSION

Sketch:



PIGTAILS

THIS IS PART OF CRN OH
 Technical Standards & Safety Authority
 Boilers & Pressure Vessels
 Safety Program

NOTE: PIGTAILS ITEM #4 is EXCLUDED FROM THE SCOPE OF REGISTRATION. FEB 12/13

Note:

Test results reflect testing of the highest rated inlet and outlet pressures of the entire series - testing the components with the thinnest wall thickness and weakest materials (worst case items in the design). All models in scope have same geometry, same materials of construction, same or lower pressure ratings, and the same temperature ratings as the tested items.


CONCOA CRN Testing Summary Sheet

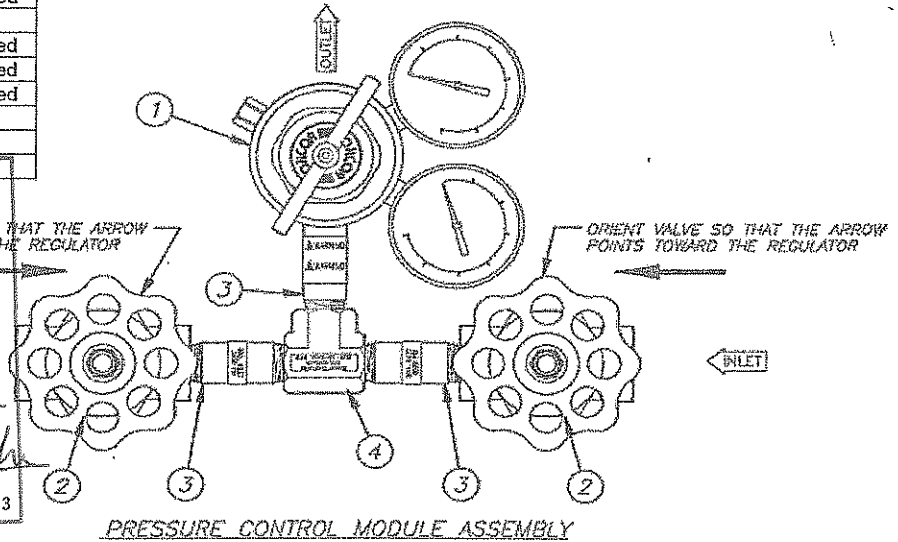
Package 5 - Type H
631/633

Scope: 631/633 Series Compressed Gas Systems (manifolds on some models shall require a separate valid CRN - Items 8,9 and 10 from sketch below are excluded from this listing)

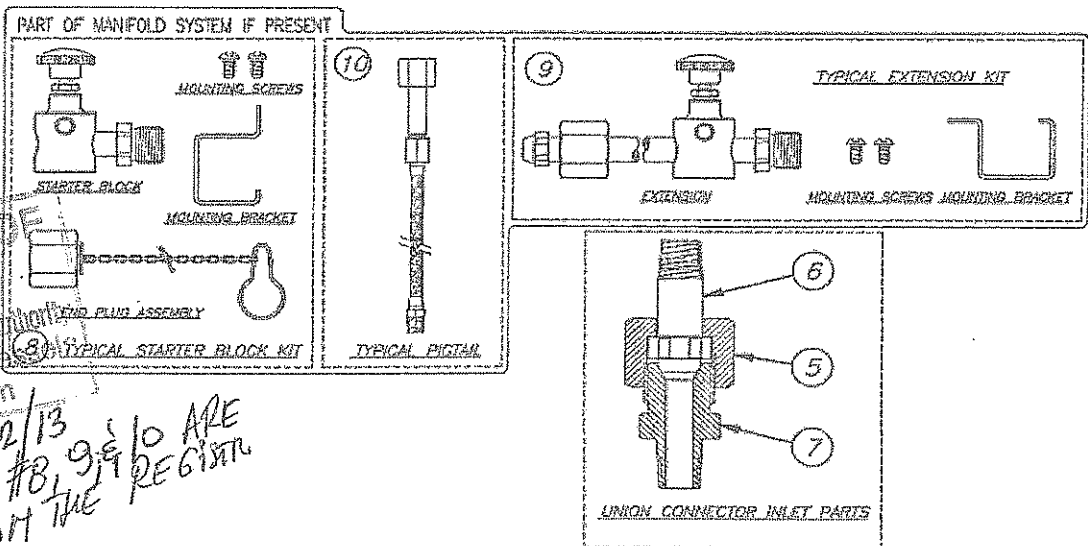
Comments: For items with existing CRN numbers, see attached sheet for pressure ratings. Total internal volume is well under 1.5 cu. ft.

Item	CRN / Test Data / Exclusions
1	OF11809.2
2	OH7770.5R1
3	See 8306499 burst test attached
4	CRN OA4093.2
5	See 8291839 burst test attached
6	See 8291840 burst test attached
7	See 8306498 burst test attached
8	Excluded from this listing
9	Excluded from this listing
10	Excluded from this listing


 CANADIAN STANDARDS ASSOCIATION
 ORIENT VALVE SO THAT THE ARROW POINTS TOWARD THE REGULATOR
 pg 4 of 8
 ATTACHMENT TO
 CRN CSA-OH15806.56
 SIGNED Bikramjit Samal
 178 Rexdale Boulevard, Toronto, ON Canada M9W 1R3



Sketch:



THIS IS PART OF CRN OH15806.5
 Technical Standards & Safety
 Boilers & Pressure Vessels
 Safety Program
 Valid FEB 12/13
 NOTE: ITEMS #8, 9, & 10 ARE EXCLUDED FROM THE REGISTER

Note: Test results reflect testing of the highest rated inlet and outlet pressures of the entire series - testing the components with the thinnest wall thickness and weakest materials (worst case items in the design). All models in scope have same geometry, same materials of construction, same or lower pressure ratings, and the same temperature ratings as the tested items.

CONCOA CRN Testing Summary Sheet

Package 6 - Type H
632

Scope: 632 Series Compressed Gas Systems (manifolds and pigtails on some models shall require a separate valid CRN - Items 13 and 14 from sketch below are excluded from this listing)

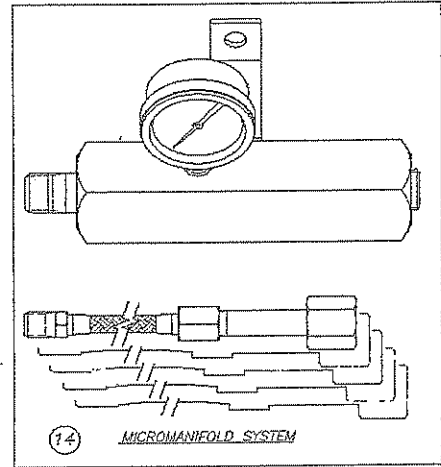
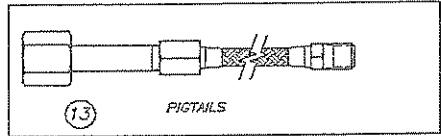
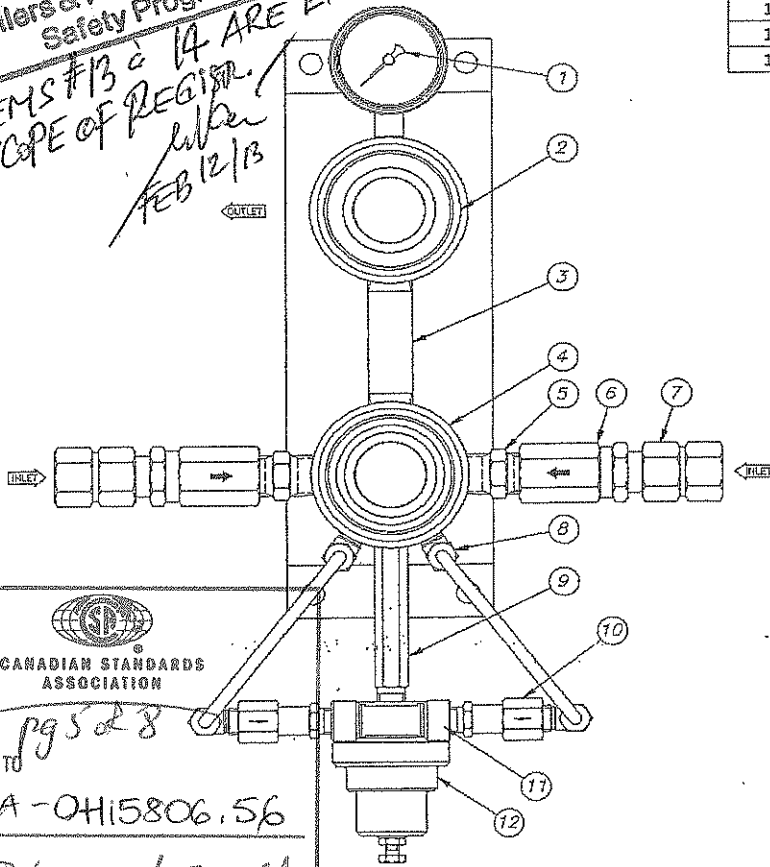
Comments: For items with existing CRN numbers, see attached sheet for pressure ratings. Total internal volume is well under 1.5 cu. ft.

Item	CRN / Test Data / Exclusions
1	OF8241.5 or OF2026.2
2	OF11809.2
3	See 8306230 burst test attached
4	See 632 Switch Reg burst test attached
5	See 8306499 burst test attached
6	OA12577.5C or OA4093.2
7	OA12577.5C
8	OA12577.5C, OA4093.2 or OA9866.5
9	OA12577.5C, OA4093.2 or OA9866.5
10	OA12577.5C
11	OA4093.2
12	OH7770.5R1
13	Excluded from this listing
14	Excluded from this listing

**THIS IS PART OF
CRN OH15806.5**
Technical Standards & Safety Authority
Boilers & Pressure Vessels
Safety Program

NOTE: ITEMS #13 & 14 ARE EXCLUDED FROM THE SCOPE OF REGISTRATION. FEB 12/13

Sketch:



CANADIAN STANDARDS ASSOCIATION

pg 5 of 8

ATTACHMENT TO
CRN CSA-OH15806.56

SIGNED Bikramjit Sandhu

178 Rexdale Boulevard, Toronto, ON Canada M9W 1R3

Note: Test results reflect testing of the highest rated inlet and outlet pressures of the entire series - testing the components with the thinnest wall thickness and weakest materials (worst case items in the design). All models in scope have same geometry, same materials of construction, same or lower pressure ratings, and the same temperature ratings as the tested items.


CONCOA CRN Testing Summary Sheet

Package 7 - Type H
629

Scope: 629 Series Micro Manifold Compressed Gas Systems

Comments: For items with existing CRN numbers, see attached sheet for pressure ratings. Total internal volume is well under 1.5 cu. ft.

Item	CRN / Test Data / Exclusions
1	Excluded from this listing
2	See 8350080 burst test data attached
3	See 8309746 burst test data attached
4	Excluded from this listing
5	Excluded from this listing


CANADIAN STANDARDS ASSOCIATION

pg 6 of 8

ATTACHMENT TO
CRN CSA-0415806.56

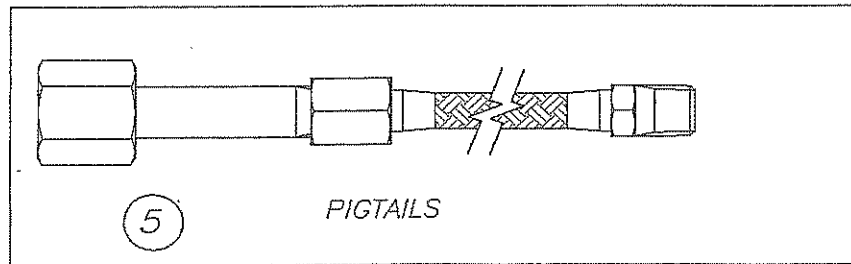
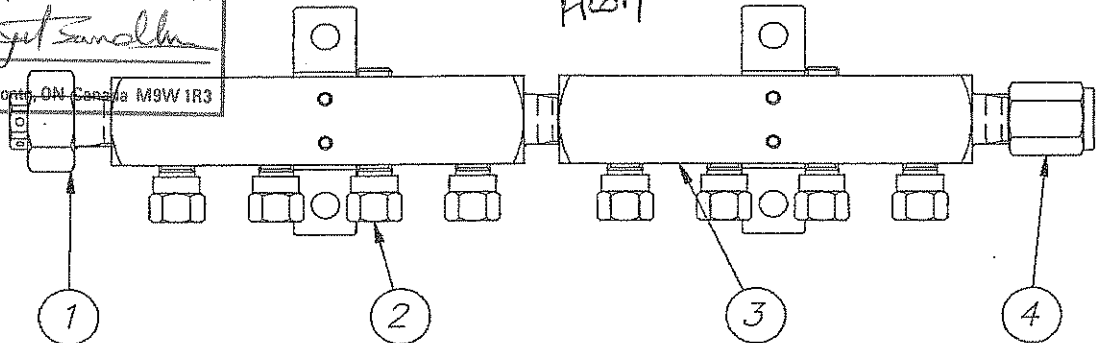
SIGNED Bikramjit Sandhu

178 Rexdale Boulevard, Toronto, ON, Canada M9W 1R3

THIS IS PART OF
CRN 0415806.5
 Technical Standards & Safety Authority
 Boilers & Pressure Vessels
 Safety Program

NOTE: ITEMS #1, 4 & 5 ARE EXCLUDED FROM THE SCOPE OF REGISTRATION
Feb 12/13

Sketch:



Note:

Test results reflect testing of the highest rated inlet and outlet pressures of the entire series - testing the components with the thinnest wall thickness and weakest materials (worst case items in the design). All models in scope have same geometry, same materials of construction, same or lower pressure ratings, and the same temperature ratings as the tested items.


CONCOA CRN Testing Summary Sheet

Package 8 - Type H
52B, 52C, 52S

Scope: 52B, 52C and 52S Manifold Compressed Gas Systems (pigtails on some models shall require a separate valid CRN - Items 4 from sketch below is excluded from this listing)

Comments: For items with existing CRN numbers, see attached sheet for pressure ratings. Total internal volume is well under 1.5 cu. ft.

Item	CRN / Test Data / Exclusions
1	OH5216.5R1
2	6" brass - See 8292007 burst test attached
2	6" stainless - See 8294007 burst test attached
2	12" brass - See 8292008 burst test attached
2	12" stainless - See 8294008 burst test attached
3	OH5216.5R1
4	Excluded from this listing


CANADIAN STANDARDS ASSOCIATION
pg 7 of 8

ATTACHMENT TO
 CRN CSA-OH15806.56

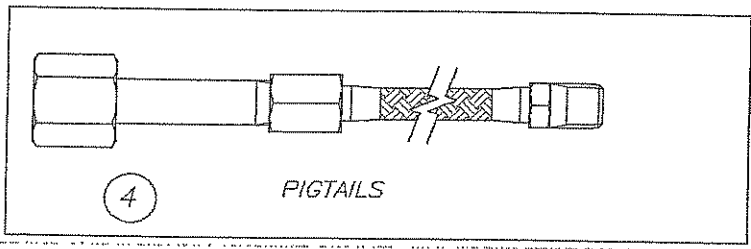
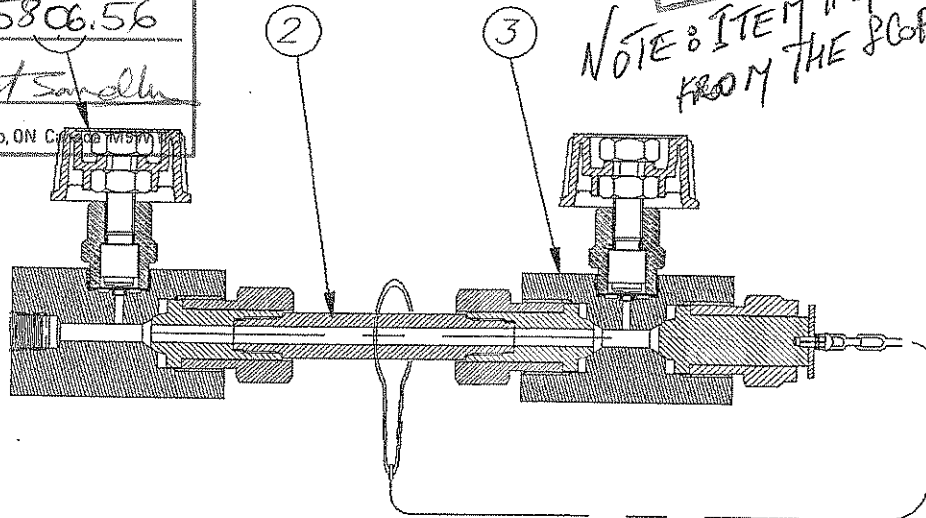
SIGNED Bikramjit Sandhu

178 Rexdale Boulevard, Toronto, ON C

THIS IS PART OF
CRN OH15806.5
 Technical Standards & Safety Authority
 Boilers & Pressure Vessels
 Safety Program

*NOTE: ITEM #4 IS EXCLUDED FROM THE SCOPE OF REGISTERED CRN
 FEB 12/13*

Sketch:



Note: Test results reflect testing of the highest rated inlet and outlet pressures of the entire series - testing the components with the thinnest wall thickness and weakest materials (worst case items in the design). All models in scope have same geometry, same materials of construction, same or lower pressure ratings, and the same temperature ratings as the tested items.

CONCOA CRN Testing Summary Sheet


Package 9 - Type H
526/527/620

Scope:

526/527/620 Series Compressed Gas Systems (manifold connectors and pigtails on some models shall require a separate valid CRN - Items 6 and 7 from sketch below are excluded from this listing)

Comments:

For items with existing CRN numbers, see attached sheet for pressure ratings. Total internal volume is well under 1.5 cu. ft.



CANADIAN STANDARDS ASSOCIATION

Pg 8 of 8

ATTACHMENT TO

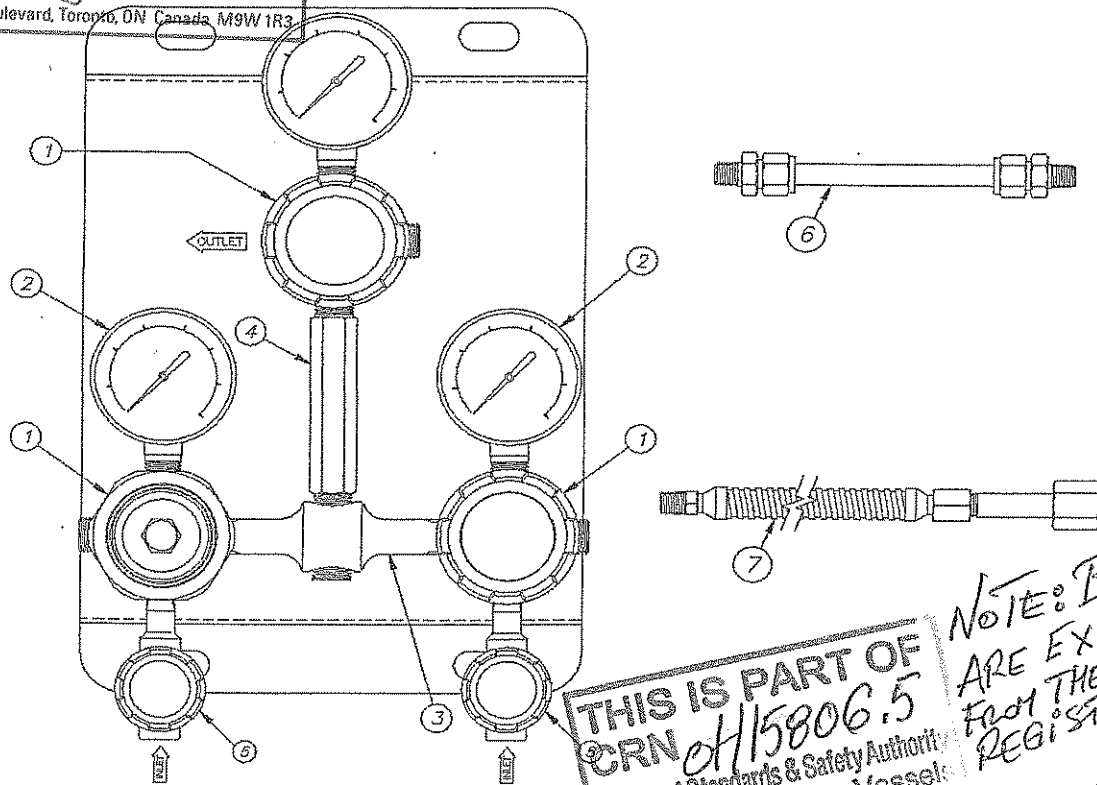
CRN CSA-0H15806.5

SIGNED Bikramjit Sandhu

178 Rexdale Boulevard, Toronto, ON Canada, M9W 1R3

Item	CRN / Test Data / Exclusions
1	OH5216.5R1
2	OF2026.2 or OF8241.5
3	See 8307641 and 8307643 burst tests attached
4	See 8308014 and 8308015 burst tests attached
5	OH5216.5R1
6	Excluded from this listing
7	Excluded from this listing

Sketch:



THIS IS PART OF
CRN 0H15806.5
 Technical Standards & Safety Authority
 Boilers & Pressure Vessels
 Safety Program

NOTE: ITEMS #6 & 7
 ARE EXCLUDED
 FROM THE SCOPE OF
 REGISTRATION
 FEB 12/13

Note:

Test results reflect testing of the highest rated inlet and outlet pressures of the entire series - testing the components with the thinnest wall thickness and weakest materials (worst case items in the design). All models in scope have same geometry, same materials of construction, same or lower pressure ratings, and the same temperature ratings as the tested items.



14th Floor, Centre Tower
3300 Bloor Street West
Toronto, Ontario
Canada M8X 2X4
Tel.: 416.734.3300
Fax: 416.231.1626
Toll Free: 1.877.682.8772

www.tssa.org

August 09, 2013

JOHN FRIEDRICHS
CONTROLS CORPORATION OF AMERICA
1501 HARPERS RD
VIRGINIA BEACH VA 23454
US

Service Request Type.: BPV-National CSA
Service Request No.: 1068858
Your Reference No.: DISTRIBUTION SYSTEMS - PHASE 1
Registered to.: CONTROLS CORPORATION OF AMERICA

Dear JOHN FRIEDRICHS,

Please find enclosed the original response from QC,SK, registered under the CRN No.: CSA-0F15806.56.

As all jurisdictional fees are handled by the Technical Standards and Safety Authority (TSSA), you do not pay any jurisdictions directly.

Should you have any questions or require further assistance, I will be happy to assist you.
For general enquiries, please contact a Customer Service Advisor at 1.877.682.TSSA (8772) or e-mail customerservices@tssa.org. When contacting TSSA regarding this file, please refer to the Service Request number provided above.

Yours truly,

Tanya Francis
Administrative Assistant_ BPV Engineering
Tel. : 416-734-3423
Fax : 416-231-6183
Email : tfrancis@tssa.org

CONCOA CRN Testing Summary Sheet

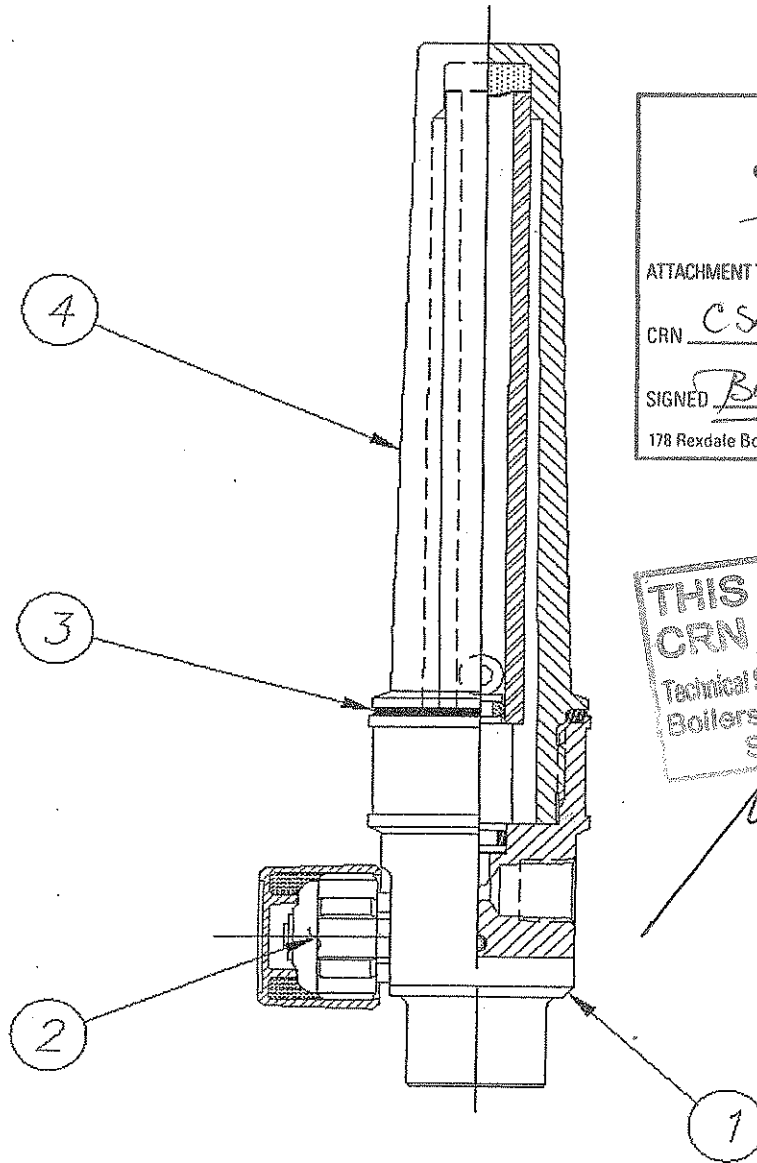
Package 10 - Type F
700 Flowmeters

Scope: CONCOA 700 Series Style Flowmeters - using 8014405 flowtube casing

Comments:

CONCOA 700 series style flowmeters consist of a brass body (Item 1 below), Valve or plug (Item 2 below), a blowout safety sealing ring (item 3 below), internal flowtube components, and an outer flowtube casing (Item 4 below). CONCOA uses 5 different bodies (Item 1), each having a different outlet connection (bottom of view); therefore, each of the bodies was burst tested to show compliance with CRN requirements (fully assembled into complete flowmeters using items shown below).

Sketch:



Note:

Test results reflect testing of the highest rated inlet and outlet pressures of the entire series - testing the components with the thinnest wall thickness and weakest materials (worst case items in the design). All models in scope have same geometry, same materials of construction, same or lower pressure ratings, and the same temperature ratings as the tested items.



14th Floor, Centre Tower
3300 Bloor Street West
Toronto, Ontario
Canada M8X 2X4
Tel.: 416.734.3300
Fax: 416.231.1626
Toll Free: 1.877.682.8772

www.tssa.org

October 25, 2013

JOHN FRIEDRICHS
CONTROLS CORPORATION OF AMERICA
1501 HARPERS RD
VIRGINIA BEACH VA 23454
US

Service Request Type.: BPV-National ACI Central
Service Request No.: 1068762
Your Reference No.: DISTRIBUTION SYSTEMS - PHASE 1- CAT H FITTING
Registered to.: CONTROLS CORPORATION OF AMERICA

Dear JOHN FRIEDRICHS,

Please find enclosed the original response from PEI,NS,NB,NFLD,YK,NFLD,NWT,NU, registered under the CRN No.: 0H15806.59870YTN.

As all jurisdictional fees are handled by the Technical Standards and Safety Authority (TSSA), you do not pay any jurisdictions directly.

Should you have any questions or require further assistance, I will be happy to assist you. For general enquiries, please contact a Customer Service Advisor at 1.877.682.TSSA (8772) or e-mail customerservices@tssa.org. When contacting TSSA regarding this file, please refer to the Service Request number provided above.

Yours truly,

Tanya Francis
Administrative Assistant_ BPV Engineering
Tel.: 416-734-3423
Fax: 416-231-6183
Email: tfrancis@tssa.org


UNIFORM STATUTORY DECLARATION FORM FOR THE REGISTRATION OF FITTING DESIGNS

NEW BRUNSWICK
NUNAVUT

NOVA SCOTIA
YUKON

PRINCE EDWARD ISLAND
NORTHWEST TERRITORIES

NEWFOUNDLAND AND LABRADOR

MANUFACTURERS NAME: Controls Corporation of America	
MANUFACTURERS ADDRESS: 1501 Harpers Road, Virginia Beach, VA 23454	
PLANT LOCATIONS: U.S.A.	
CATEGORY OF FITTINGS TO BE REGISTERED, CIRCLE ONE CATEGORY ONLY	
<p>A Pipe fittings, including couplings, tees, elbows, Ys, plugs, unions, pipe caps, or reducers</p> <p>B Flanges: all flanges</p> <p>C Valves: all line valves</p> <p>D Expansion joints, flexible connections, and hose assemblies: all types</p> <p>E Strainers, filters, separators, and steam traps</p> <p>F Measuring devices, including pressure gauges, level gauges, sight glasses, levels, or pressure transmitters</p> <p>G Certified capacity-rated pressure relief devices acceptable as primary over pressure protection on boilers, pressure vessels, piping and fusible plugs</p> <p><input checked="" type="radio"/> H Pressure retaining components that do not fall into one of the above categories</p> <p>N N/A</p> <p>Notes: Class 1 <input type="checkbox"/> Class 2 <input type="checkbox"/> Class 3 <input type="checkbox"/>. (Meeting CNSC or ASME requirements)</p>	<p>TITLE OF THE STANDARD OF CONSTRUCTION</p> <p>Proof test 4x max design pressure</p>
<p>SPONSOR'S NAME, TRADEMARK OR LOGO AS IT WILL APPEAR ON THE PRODUCT</p> 	<p>TYPE OF CONSTRUCTION</p> <p>FORGED <input type="checkbox"/> WELDED <input type="checkbox"/> WROUGHT <input type="checkbox"/></p> <p>CAST <input type="checkbox"/> OTHER <input type="checkbox"/></p> <p>DESCRIBE OTHER:</p>
<p>LIST OF SUPPORTING DOCUMENTATION AND IDENTIFICATION OF THE ACTUAL ITEMS TO BE REGISTERED:</p> <p>Drawings, Catalogs, Excel Spreadsheets, and burst test reports</p>	

DECLARATION:

I, John Friedrichs (see note 3) employed by Controls Corp. of America and being the person having full authority and responsibility for the quality of the end product do solemnly declare that the information contained in this form is true and to the best of my knowledge represents the product for which registration is sought. The dimensions, materials of construction, pressure temperature ratings, and identification markings are in accordance with the herein named standards. I further declare that the manufacture of these fittings is regulated by a Quality Control Program which extends to each plant where fabrication occurs in whole or in part and has been verified by Intertek Services Corporation as being suitable for that purpose and I make this solemn declaration conscientiously believing it to be true, and knowing that it is of the same force and effect as if made under oath.

Signature of Declarer: [Signature]

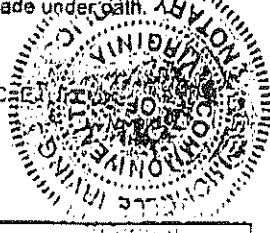
Declared before me at VIRGINIA BEACH, VA

This 1 day of FEB AD 2013

Commissioner of Oaths or Notary Public: (sign) [Signature]

311A-7264 EXP # 161528

USE THIS SPACE FOR OFFICIAL



This space for Regulatory Authority use

This registration must be revalidated after ten (10) years from the date of acceptance.

CRN: OH15806.5

FID#: 614

Notes:

- All fittings shall be registered in the name of the Manufacturer.
- Each category shall be supported with two Statutory Declaration forms and one copy of supporting documentation.
- The declaration shall be made by the person having full authority and responsibility for the quality of the end product.
- Quality control programs shall be resubmitted for validation at a maximum interval of five (5) years.

ACCEPTED
 PROVINCE OF PRINCE EDWARD ISLAND
 ENVIRONMENT, LABOUR & JUSTICE
 C.R.N. OH15806.59
 DATE: August 13
INSPECTION SERVICES SECTION
BOILER/PRESSURE VESSEL BRANCH
 Sect. 1.0 - Fittings Rev. 1 05/2003


UNIFORM STATUTORY DECLARATION FORM FOR THE REGISTRATION OF FITTING DESIGNS

NEW BRUNSWICK
NUNAVUT

NOVA SCOTIA
YUKON

PRINCE EDWARD ISLAND
NORTHWEST TERRITORIES

NEWFOUNDLAND AND LABRADOR

MANUFACTURERS NAME: Controls Corporation of America	
MANUFACTURERS ADDRESS: 1501 Harpers Road, Virginia Beach, VA 23454	
PLANT LOCATIONS: U.S.A.	
CATEGORY OF FITTINGS TO BE REGISTERED. CIRCLE ONE CATEGORY ONLY.	
<p>A Pipe fittings, including couplings, tees, elbows, Ys, plugs, unions, pipe caps, or reducers</p> <p>B Flanges: all flanges</p> <p>C Valves: all line valves</p> <p>D Expansion joints, flexible connections, and hose assemblies: all types</p> <p>E Strainers, filters, separators, and steam traps</p> <p>F Measuring devices, including pressure gauges, level gauges, sight glasses, levels, or pressure transmitters</p> <p>G Certified capacity-rated pressure relief devices acceptable as primary over pressure protection on boilers, pressure vessels, piping and fusible plugs</p> <p>H Pressure retaining components that do not fall into one of the above categories</p> <p>N Non-pressure components: Class 1 <input type="checkbox"/> Class 2 <input type="checkbox"/> Class 3 <input type="checkbox"/> (Meeting CNSC or ASME requirements)</p>	TITLE OF THE STANDARD OF CONSTRUCTION Proof test 4x max design pressure
	TYPE OF CONSTRUCTION FORGED <input type="checkbox"/> WELDED <input type="checkbox"/> WROUGHT <input type="checkbox"/> CAST <input type="checkbox"/> OTHER <input type="checkbox"/> DESCRIBE OTHER:
LIST OF SUPPORTING DOCUMENTATION AND IDENTIFICATION OF THE ACTUAL ITEMS TO BE REGISTERED: Drawings, Catalogs, Excel Spreadsheets, and burst test reports	

DECLARATION:

I, John Friedrichs (see note 3) employed by Controls Corp. of America and being the person having full authority and responsibility for the quality of the end product do solemnly declare that the information contained in this form is true and to the best of my knowledge represents the product for which registration is sought. The dimensions, materials of construction, pressure temperature ratings, and identification markings are in accordance with the herein named standards. I further declare that the manufacture of these fittings is regulated by a Quality Control Program which extends to each plant where fabrication occurs in whole or in part and has been verified by Intertek Services Corporation as being suitable for that purpose and I make this solemn declaration conscientiously believing it to be true, and knowing that it is of the same force and effect as if made under oath.

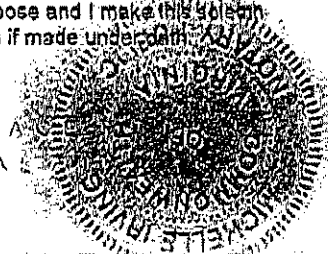
Signature of Declarer: [Signature]

Declared before me at VIRGINIA BEACH, VA

This 1 day of FEB AD 2013

Commissioner of Oaths
 or Notary Public: (sign) [Signature]
3/11/2014 121520

USE THIS SPACE FOR OFFICIAL USE

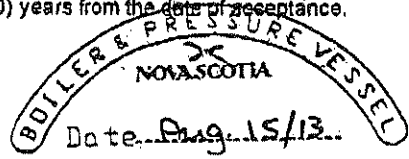


This space for Regulatory Authority use

This registration must be revalidated after ten (10) years from the date of acceptance.

CRN: OH15806.5

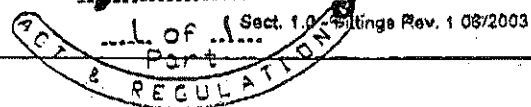
FID#: 614



C.R.N. OH15806.58

Dwg. as described

Signed Yvonne Perry



Notes:

1. All fittings shall be registered in the name of the Manufacturer.
2. Each category shall be supported with two Statutory Declaration forms and one copy of supporting documentation.
3. The declaration shall be made by the person having full authority and responsibility for the quality of the end product.
4. Quality control programs shall be resubmitted for validation at a maximum interval of five (5) years.


UNIFORM STATUTORY DECLARATION FORM FOR THE REGISTRATION OF FITTING DESIGNS

NEW BRUNSWICK
NUNAVUT

NOVA SCOTIA
YUKON

PRINCE EDWARD ISLAND
NORTHWEST TERRITORIES

NEWFOUNDLAND AND LABRADOR

MANUFACTURERS NAME: Controls Corporation of America	
MANUFACTURERS ADDRESS: 1501 Harpers Road, Virginia Beach, VA 23454	
PLANT LOCATIONS: U.S.A.	
<p align="center">CATEGORY OF FITTINGS TO BE REGISTERED. CIRCLE ONE CATEGORY ONLY</p> <p>A Pipe fittings, including couplings, tees, elbows, Ys, plugs, unions, pipe caps, or reducers B Flanges: all flanges C Valves: all line valves D Expansion joints, flexible connections, and hose assemblies: all types E Strainers, filters, separators, and steam traps F Measuring devices, including pressure gauges, level gauges, sight glasses, levels, or pressure transmitters G Certified capacity-rated pressure relief devices acceptable as primary over pressure protection on boilers, pressure vessels, piping and fusible plugs H Pressure retaining components that do not fall into one of the above categories</p> <p>N N° INCREASE DECREASE ents: Class 1 <input type="checkbox"/> Class 2 <input type="checkbox"/> Class 3 <input type="checkbox"/>, (Meeting CNSC or ASME requirements)</p>	<p>TITLE OF THE STANDARD OF CONSTRUCTION Proof test 4x max design pressure</p>
<p>SI MANUFACTURERS NAME, TRADEMARK, OR LOGO AS IT WILL APPEAR ON THE PRODUCT</p> 	<p>TYPE OF CONSTRUCTION FORGED <input type="checkbox"/> WELDED <input type="checkbox"/> WROUGHT <input type="checkbox"/> CAST <input type="checkbox"/> OTHER <input type="checkbox"/> DESCRIBE OTHER:</p>
<p>LIST OF SUPPORTING DOCUMENTATION AND IDENTIFICATION OF THE ACTUAL ITEMS TO BE REGISTERED: Drawings, Catalogs, Excel Spreadsheets, and burst test reports</p>	

DECLARATION:

I, John Friedrichs (see note 3) employed by Controls Corp. of America and being the person having full authority and responsibility for the quality of the end product do solemnly declare that the information contained in this form is true and to the best of my knowledge represents the product for which registration is sought. The dimensions, materials of construction, pressure temperature ratings, and identification markings are in accordance with the herein named standards. I further declare that the manufacture of these fittings is regulated by a Quality Control Program which extends to each plant where fabrication occurs in whole or in part and has been verified by Intertek Services Corporation as being suitable for that purpose and I make this solemn declaration conscientiously believing it to be true, and knowing that it is of the same force and effect as if made under oath.

Signature of Declarer: [Signature]

Declared before me at VIRGINIA BEACH, VA

This 1 day of FEB AD 2013

Commissioner of Oaths or Notary Public: (sign) [Signature]
31 MAY 2014 EXP # 1015528



This space for Regulatory Authority use This registration must be revalidated after ten (10) years from the date of registration.	
CRN: <u>OH15806.5</u> FID#: <u>614</u>	CRN: <u>OH15806.57</u> EXAMINER: <u>[Signature]</u> for CHIEF BOILER INSPECTOR DATE: <u>8/15/2013</u>
<p>Notes:</p> <ol style="list-style-type: none"> All fittings shall be registered in the name of the Manufacturer. Each category shall be supported with two Statutory Declaration forms and one copy of supporting documentation. The declaration shall be made by the person having full authority and responsibility for the quality of the end product. Quality control programs shall be resubmitted for validation at a maximum interval of five (5) years. 	<p><input type="checkbox"/> BLRs <input type="checkbox"/> PVs <input checked="" type="checkbox"/> FITTINGS <input type="checkbox"/> COMPONENTS</p> <p align="right">Rev. 1 06/2003</p>


UNIFORM STATUTORY DECLARATION FORM FOR THE REGISTRATION OF FITTING DESIGNS

NEW BRUNSWICK
NUNAVUT

NOVA SCOTIA
YUKON

PRINCE EDWARD ISLAND
NORTHWEST TERRITORIES

NEWFOUNDLAND AND LABRADOR

MANUFACTURERS NAME: Controls Corporation of America	
MANUFACTURERS ADDRESS: 1501 Harpers Road, Virginia Beach, VA 23454	
PLANT LOCATIONS: U.S.A.	
<p align="center">CATEGORY OF FITTINGS TO BE REGISTERED. CIRCLE ONE CATEGORY ONLY</p> <p>A Pipe fittings, including couplings, tees, elbows, Ys, plugs, unions, pipe caps, or reducers B Flanges: all flanges C Valves: all line valves D Expansion joints, flexible connections, and hose assemblies: all types E Strainers, filters, separators, and steam traps F Measuring devices, including pressure gauges, level gauges, sight glasses, levels, or pressure transmitters G Certified capacity-rated pressure relief devices acceptable as primary over pressure protection on boilers, pressure vessels, piping and fusible plugs <input checked="" type="radio"/> H Pressure retaining components that do not fall into one of the above categories N <small>Non-pressure retaining</small> components: Class 1 <input type="checkbox"/> Class 2 <input type="checkbox"/> Class 3 <input type="checkbox"/>. (Meeting CNSC or ASME requirements)</p>	<p align="center">TITLE OF THE STANDARD OF CONSTRUCTION</p> <p>Proof test 4x max design pressure</p>
<p>SP <small>Supplier's Name, Trademark, or Logo as it will appear on the product</small></p> 	<p align="center">TYPE OF CONSTRUCTION</p> <p>FORGED <input type="checkbox"/> WELDED <input type="checkbox"/> WROUGHT <input type="checkbox"/> CAST <input type="checkbox"/> OTHER <input type="checkbox"/> DESCRIBE OTHER:</p>
<p>LIST OF SUPPORTING DOCUMENTATION AND IDENTIFICATION OF THE ACTUAL ITEMS TO BE REGISTERED:</p> <p>Drawings, Catalogs, Excel Spreadsheets, and burst test reports</p>	

DECLARATION:

I, John Friedrichs (see note 3) employed by Controls Corp. of America and being the person having full authority and responsibility for the quality of the end product do solemnly declare that the information contained in this form is true and to the best of my knowledge represents the product for which registration is sought. The dimensions, materials of construction, pressure temperature ratings, and identification markings are in accordance with the herein named standards. I further declare that the manufacture of these fittings is regulated by a Quality Control Program which extends to each plant where fabrication occurs in whole or in part and has been verified by Intertek Services Corporation as being suitable for that purpose and I make this solemn declaration conscientiously believing it to be true, and knowing that it is of the same force and effect as if made under oath.

Signature of Declarer: [Signature]

Declared before me at VIRGINIA BEACH, VA

This 1 day of FEB AD 2013

Commissioner of Oaths [Signature]

or Notary Public: (sign) [Signature]



<p align="center">This space for Regulatory Authority use</p> <p align="center">This registration must be revalidated after ten (10) years from the date of acceptance.</p> <p>CRN: <u>OH15806.5</u></p> <p>FID#: <u>614</u></p> <p>Notes: 1. All fittings shall be registered in the name of the Manufacturer. 2. Each category shall be supported with two Statutory Declaration forms and one copy of supporting documentation. 3. The declaration shall be made by the person having full authority and responsibility for the quality of the end product. 4. Quality control programs shall be resubmitted for validation at a maximum interval of five (5) years.</p>	<p align="center">GOVERNMENT OF NEWFOUNDLAND AND LABRADOR</p> <p align="center">Department of Government Services</p> <p>Registered <u>OH15806.50</u></p> <p>Date <u>04 SEP 2013</u></p> <p align="center">GOVERNMENT SERVICES CENTRE Engineering and Inspection Services</p> <p>Registered by <u>[Signature]</u></p> <p align="center">UNDER THE AUTHORITY OF THE PUBLIC SAFETY ACT AND THE BOILER, PRESSURE VESSELS AND COMPRESSED GAS REGULATIONS</p>
---	--


UNIFORM STATUTORY DECLARATION FORM FOR THE REGISTRATION OF FITTING DESIGNS

NEW BRUNSWICK
NUNAVUT

NOVA SCOTIA
YUKON

PRINCE EDWARD ISLAND
NORTHWEST TERRITORIES

NEWFOUNDLAND AND LABRADOR

MANUFACTURERS NAME: Controls Corporation of America	
MANUFACTURERS ADDRESS: 1501 Harpers Road, Virginia Beach, VA 23454	
PLANT LOCATIONS: U.S.A.	
<p>CATEGORY OF FITTINGS TO BE REGISTERED. CIRCLE ONE CATEGORY ONLY</p> <p>A Pipe fittings, including couplings, tees, elbows, Ys, plugs, unions, pipe caps, or reducers B Flanges: all flanges C Valves: all line valves D Expansion joints, flexible connections, and hose assemblies: all types E Strainers, filters, separators, and steam traps F Measuring devices, including pressure gauges, level gauges, sight glasses, levels, or pressure transmitters G Certified capacity-rated pressure relief devices acceptable as primary over pressure protection on boilers, pressure vessels, piping and fusible plugs <input checked="" type="radio"/> H Pressure retaining components that do not fall into one of the above categories</p> <p>N NPS Schedule 40s: Class 1 <input type="checkbox"/> Class 2 <input type="checkbox"/> Class 3 <input type="checkbox"/>. (Meeting CNSC or ASME requirements)</p>	<p>TITLE OF THE STANDARD OF CONSTRUCTION Proof test 4x max design pressure</p>
<p>SI MANUFACTURERS NAME, TRADEMARK, OR LOGO AS IT WILL APPEAR ON THE PRODUCT</p> 	<p>TYPE OF CONSTRUCTION</p> <p>FORGED <input type="checkbox"/> WELDED <input type="checkbox"/> WROUGHT <input type="checkbox"/> CAST <input type="checkbox"/> OTHER <input type="checkbox"/> DESCRIBE OTHER:</p>
<p>LIST OF SUPPORTING DOCUMENTATION AND IDENTIFICATION OF THE ACTUAL ITEMS TO BE REGISTERED: Drawings, Catalogs, Excel Spreadsheets, and burst test reports</p>	

DECLARATION:

I, John Friedrichs (see note 3) employed by Controls Corp. of America and being the person having full authority and responsibility for the quality of the end product do solemnly declare that the information contained in this form is true and to the best of my knowledge represents the product for which registration is sought. The dimensions, materials of construction, pressure temperature ratings, and identification markings are in accordance with the herein named standards. I further declare that the manufacture of these fittings is regulated by a Quality Control Program which extends to each plant where fabrication occurs in whole or in part and has been verified by Intertek Services Corporation as being suitable for that purpose and I make this solemn declaration conscientiously believing it to be true, and knowing that it is of the same force and effect as if made under oath.

Signature of Declarer: [Signature]

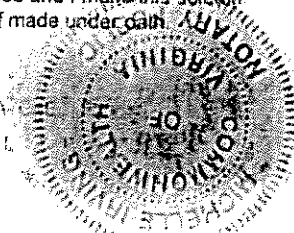
Declared before me at VIRGINIA BEACH, VA

This 1 day of FEB AD 2013

Commissioner of Oaths [Signature]

or Notary Public: (sign) [Signature]
3111A72014 EX2 # 143528

USE THIS SPACE FOR
OFFICIAL




This space for Regulatory Authority use

This registration must be revalidated after ten (10) years from the date of acceptance.

CRN: OH15806.5

FID#: 614

Notes:
 1. All fittings shall be registered in the name of the Manufacturer.
 2. Each category shall be supported with two Statutory Declaration forms and one copy of supporting documentation.
 3. The declaration shall be made by the person having full authority and responsibility for the quality of the end product.
 4. Quality control programs shall be resubmitted for validation at a maximum interval of five (5) years.



GOVERNMENT OF YUKON
 BY [Signature]
 CRN OH15806.5
 DATE 8/15/13
 BOILER'S BRANCH

Section 03 Fittings Rev. 1 05/2003


UNIFORM STATUTORY DECLARATION FORM FOR THE REGISTRATION OF FITTING DESIGNS

NEW BRUNSWICK
NUNAVUT

NOVA SCOTIA
YUKON

PRINCE EDWARD ISLAND
NORTHWEST TERRITORIES

NEWFOUNDLAND AND LABRADOR

MANUFACTURERS NAME: Controls Corporation of America	
MANUFACTURERS ADDRESS: 1501 Harpers Road, Virginia Beach, VA 23454	
PLANT LOCATIONS: U.S.A.	
CATEGORY OF FITTINGS TO BE REGISTERED. CIRCLE ONE CATEGORY ONLY A Pipe fittings, including couplings, tees, elbows, Ys, plugs, unions, pipe caps, or reducers B Flanges: all flanges C Valves: all line valves D Expansion joints, flexible connections, and hose assemblies: all types E Strainers, filters, separators, and steam traps F Measuring devices, including pressure gauges, level gauges, sight glasses, levels, or pressure transmitters G Certified capacity-rated pressure relief devices acceptable as primary over pressure protection on boilers, pressure vessels, piping and fusible plugs <input checked="" type="radio"/> H Pressure retaining components that do not fall into one of the above categories N Nomenclature: Class 1 <input type="checkbox"/> Class 2 <input type="checkbox"/> Class 3 <input type="checkbox"/> . (Meeting CNRC or ASME requirements)	TITLE OF THE STANDARD OF CONSTRUCTION Proof test 4x max design pressure
SI: REGISTRANT'S NAME, TRADEMARK, OR LOGO AS IT WILL APPEAR ON THE PRODUCT 	TYPE OF CONSTRUCTION FORGED <input type="checkbox"/> WELDED <input type="checkbox"/> WROUGHT <input type="checkbox"/> CAST <input type="checkbox"/> OTHER <input type="checkbox"/> DESCRIBE OTHER:
LIST OF SUPPORTING DOCUMENTATION AND IDENTIFICATION OF THE ACTUAL ITEMS TO BE REGISTERED: Drawings, Catalogs, Excel Spreadsheets, and burst test reports	

DECLARATION:

I John Friedrichs (100 0015 3) employed by Controls Corp. of America and being the person having full authority and responsibility for the quality of the end product do solemnly declare that the information contained in this form is true and to the best of my knowledge represents the product for which registration is sought. The dimensions, materials of construction, pressure temperature ratings, and identification markings are in accordance with the herein named standards. I further declare that the manufacture of these fittings is regulated by a Quality Control Program which extends to each plant where fabrication occurs in whole or in part and has been verified by Intertek Services Corporation as being suitable for that purpose and I make this solemn declaration conscientiously believing it to be true, and knowing that it is of the same force and effect as if made under oath.

Signature of Declarer: [Signature]

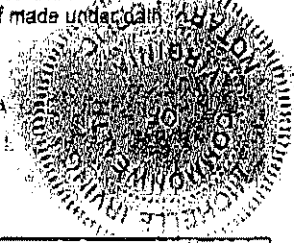
Declared before me at VIRGINIA BEACH, VA

This 1 day of FEB AD 2013

Commissioner of Oaths [Signature]

Notary Public: (sign) [Signature]
31MA7614 EX #7615528

USE THIS SPACE FOR OFFICIAL STAMP



This space for Regulatory Authority use

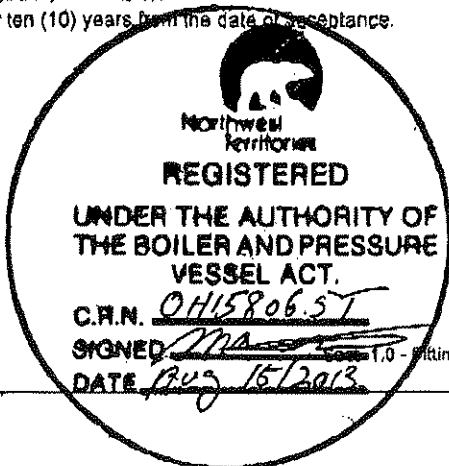
This registration must be revalidated after ten (10) years from the date of acceptance.

CRN: 0H15806.5

FID#: 614

Notes:

1. All fittings shall be registered in the name of the Manufacturer.
2. Each category shall be supported with two Statutory Declaration forms and one copy of supporting documentation.
3. The declaration shall be made by the person having full authority and responsibility for the quality of the end product.
4. Quality control programs shall be resubmitted for validation at a maximum interval of five (5) years.



15800


UNIFORM STATUTORY DECLARATION FORM FOR THE REGISTRATION OF FITTING DESIGNS

NEW BRUNSWICK
NUNAVUT

NOVA SCOTIA
YUKON

PRINCE EDWARD ISLAND
NORTHWEST TERRITORIES

NEWFOUNDLAND AND LABRADOR

MANUFACTURERS NAME: Controls Corporation of America	
MANUFACTURERS ADDRESS: 1501 Harpers Road, Virginia Beach, VA 23464	
PLANT LOCATIONS: U.S.A.	
<p align="center">CATEGORY OF FITTINGS TO BE REGISTERED. CIRCLE ONE CATEGORY ONLY</p> <p>A Pipe fittings, including couplings, tees, elbows, Ys, plugs, unions, pipe caps, or reducers B Flanges: all flanges C Valves: all line valves D Expansion joints, flexible connections, and hose assemblies: all types E Strainers, filters, separators, and steam traps F Measuring devices, including pressure gauges, level gauges, sight glasses, levels, or pressure transmitters G Certified capacity-rated pressure relief devices acceptable as primary over pressure protection on boilers, pressure vessels, piping and flexible piping <input checked="" type="radio"/> H Pressure retaining components that do not fall into one of the above categories N N/A</p>	<p>TITLE OF THE STANDARD OF CONSTRUCTION Proof test 4x max design pressure</p>
<p>SPONSORING ORGANIZATION NAME, TRADEMARK, OR LOGO AS IT WILL APPEAR ON THE PRODUCT</p> 	<p>TYPE OF CONSTRUCTION</p> FORGED <input type="checkbox"/> WELDED <input type="checkbox"/> WROUGHT <input type="checkbox"/> CAST <input type="checkbox"/> OTHER <input type="checkbox"/> DESCRIBE OTHER:
<p>LIST OF SUPPORTING DOCUMENTATION AND IDENTIFICATION OF THE ACTUAL ITEMS TO BE REGISTERED: Drawings, Catalogs, Excel Spreadsheets, and burst test reports</p>	

DECLARATION:

I, John Friedrichs (name now is) employed by Controls Corp. of America and being the person having full authority and responsibility for the quality of the end product do solemnly declare that the information contained in this form is true and to the best of my knowledge represents the product for which registration is sought. The dimensions, materials of construction, pressure temperature ratings, and identification markings are in accordance with the herein named standards. I further declare that the manufacture of these fittings is regulated by a Quality Control Program which extends to each plant where fabrication occurs in whole or in part and has been verified by Intertek Services Corporation as being suitable for that purpose and I make this solemn declaration conscientiously believing it to be true and knowing that it is of the same force and effect as if made under oath.

Signature of Declarer: [Signature]

Declared before me at VIRGINIA BEACH, VA

This 1 day of FEB AD 2013

Commissioner of Oaths [Signature]

or Notary Public: (sign) [Signature]
31 MAR 2014 EXP # 105524

USE THIS SPACE FOR OFFICIAL STAMP



This space for Regulatory Authority
 This registration must be revalidated after ten (10) years from the date of acceptance.

CRN: OH15806.5

FID#: 614

Notes:
 1. All fittings shall be registered in the name of the Manufacturer.
 2. Each category shall be supported with two Statutory Declaration forms and one copy of supporting documentation.
 3. The declaration shall be made by the person having full authority and responsibility for the quality of the end product.
 4. Quality control programs shall be resubmitted for validation at a maximum interval of five (5) years.

NUNAVUT
 Boilers and Pressure Vessels Act

REGISTERED

CRN OH15806.5N

Date Aug 26, 2013

Signed [Signature]
 Chief Inspector

Sept 1.0 - Fittings Rev 1 06/2003

Territorial Registration Fee



14th Floor, Centre Tower
3300 Bloor Street West
Toronto, Ontario
Canada M8X 2X4
Tel.: 416.734.3300
Fax: 416.231.1626
Toll Free: 1.877.682.8772

www.tssa.org

October 25, 2013

JOHN FRIEDRICHS
CONTROLS CORPORATION OF AMERICA
1501 HARPERS RD
VIRGINIA BEACH VA 23454
US

Service Request Type.: BPV-National ACI Central
Service Request No.: 1068762
Your Reference No.: DISTRIBUTION SYSTEMS - PHASE 1- CAT H FITTING
Registered to.: CONTROLS CORPORATION OF AMERICA

Dear JOHN FRIEDRICHS,

Please find enclosed the original response from PEI,NS,NB,NFLD,YK,NFLD,NWT,NU, registered under the CRN No.: 0H15806.59870YTN.

As all jurisdictional fees are handled by the Technical Standards and Safety Authority (TSSA), you do not pay any jurisdictions directly.

Should you have any questions or require further assistance, I will be happy to assist you. For general enquiries, please contact a Customer Service Advisor at 1.877.682.TSSA (8772) or e-mail customerservices@tssa.org. When contacting TSSA regarding this file, please refer to the Service Request number provided above.

Yours truly,

Tanya Francis
Administrative Assistant_ BPV Engineering
Tel.: 416-734-3423
Fax: 416-231-6183
Email: tfrancis@tssa.org


UNIFORM STATUTORY DECLARATION FORM FOR THE REGISTRATION OF FITTING DESIGNS

NEW BRUNSWICK
NUNAVUT

NOVA SCOTIA
YUKON

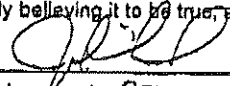
PRINCE EDWARD ISLAND
NORTHWEST TERRITORIES

NEWFOUNDLAND AND LABRADOR

MANUFACTURERS NAME: Controls Corporation of America	
MANUFACTURERS ADDRESS: 1501 Harpers Road, Virginia Beach, VA 23454	
PLANT LOCATIONS: U.S.A.	
CATEGORY OF FITTINGS TO BE REGISTERED, CIRCLE ONE CATEGORY ONLY	
<p>A Pipe fittings, including couplings, tees, elbows, Ys, plugs, unions, pipe caps, or reducers</p> <p>B Flanges: all flanges</p> <p>C Valves: all line valves</p> <p>D Expansion joints, flexible connections, and hose assemblies: all types</p> <p>E Strainers, filters, separators, and steam traps</p> <p>F Measuring devices, including pressure gauges, level gauges, sight glasses, levels, or pressure transmitters</p> <p>G Certified capacity-rated pressure relief devices acceptable as primary over pressure protection on boilers, pressure vessels, piping and fusible plugs</p> <p><input checked="" type="radio"/> H Pressure retaining components that do not fall into one of the above categories</p> <p>N N/A</p> <p>Notes: Class 1 <input type="checkbox"/> Class 2 <input type="checkbox"/> Class 3 <input type="checkbox"/>. (Meeting CNSC or ASME requirements)</p>	<p>TITLE OF THE STANDARD OF CONSTRUCTION</p> <p>Proof test 4x max design pressure</p>
<p>SPONSOR'S NAME, TRADEMARK OR LOGO AS IT WILL APPEAR ON THE PRODUCT</p> 	<p>TYPE OF CONSTRUCTION</p> <p>FORGED <input type="checkbox"/> WELDED <input type="checkbox"/> WROUGHT <input type="checkbox"/></p> <p>CAST <input type="checkbox"/> OTHER <input type="checkbox"/></p> <p>DESCRIBE OTHER:</p>
<p>LIST OF SUPPORTING DOCUMENTATION AND IDENTIFICATION OF THE ACTUAL ITEMS TO BE REGISTERED:</p> <p>Drawings, Catalogs, Excel Spreadsheets, and burst test reports</p>	


DECLARATION:

I, John Friedrichs (see note 3) employed by Controls Corp. of America and being the person having full authority and responsibility for the quality of the end product do solemnly declare that the information contained in this form is true and to the best of my knowledge represents the product for which registration is sought. The dimensions, materials of construction, pressure temperature ratings, and identification markings are in accordance with the herein named standards. I further declare that the manufacture of these fittings is regulated by a Quality Control Program which extends to each plant where fabrication occurs in whole or in part and has been verified by Intertek Services Corporation as being suitable for that purpose and I make this solemn declaration conscientiously believing it to be true, and knowing that it is of the same force and effect as if made under oath.

Signature of Declarer: 

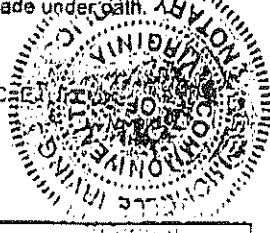
Declared before me at VIRGINIA BEACH, VA

This 1 day of FEB AD 2013

Commissioner of Oaths or Notary Public: (sign) 

311A-7264 EXP # 161528

USE THIS SPACE FOR OFFICIAL



This space for Regulatory Authority use

This registration must be revalidated after ten (10) years from the date of acceptance.

CRN: OH15806.5

FID#: 614

Notes:

- All fittings shall be registered in the name of the Manufacturer.
- Each category shall be supported with two Statutory Declaration forms and one copy of supporting documentation.
- The declaration shall be made by the person having full authority and responsibility for the quality of the end product.
- Quality control programs shall be resubmitted for validation at a maximum interval of five (5) years.

ACCEPTED
PROVINCE OF PRINCE EDWARD ISLAND
ENVIRONMENT, LABOUR & JUSTICE
 C.R.N. OH15806.59
 DATE: August 13
INSPECTION SERVICES SECTION
BOILER/PRESSURE VESSEL BRANCH
 Sect. 1.0 - Fittings Rev. 1 05/2003


UNIFORM STATUTORY DECLARATION FORM FOR THE REGISTRATION OF FITTING DESIGNS

NEW BRUNSWICK
NUNAVUT

NOVA SCOTIA
YUKON

PRINCE EDWARD ISLAND
NORTHWEST TERRITORIES

NEWFOUNDLAND AND LABRADOR

MANUFACTURERS NAME: Controls Corporation of America	
MANUFACTURERS ADDRESS: 1501 Harpers Road, Virginia Beach, VA 23454	
PLANT LOCATIONS: U.S.A.	
CATEGORY OF FITTINGS TO BE REGISTERED. CIRCLE ONE CATEGORY ONLY.	
<p>A Pipe fittings, including couplings, tees, elbows, Ys, plugs, unions, pipe caps, or reducers</p> <p>B Flanges: all flanges</p> <p>C Valves: all line valves</p> <p>D Expansion joints, flexible connections, and hose assemblies: all types</p> <p>E Strainers, filters, separators, and steam traps</p> <p>F Measuring devices, including pressure gauges, level gauges, sight glasses, levels, or pressure transmitters</p> <p>G Certified capacity-rated pressure relief devices acceptable as primary over pressure protection on boilers, pressure vessels, piping and fusible plugs</p> <p>H Pressure retaining components that do not fall into one of the above categories</p> <p>N Non-pressure components: Class 1 <input type="checkbox"/> Class 2 <input type="checkbox"/> Class 3 <input type="checkbox"/> (Meeting CNSC or ASME requirements)</p>	TITLE OF THE STANDARD OF CONSTRUCTION Proof test 4x max design pressure
 <p>REG. NAME, TRADEMARK, OR LOGO AS IT WILL APPEAR ON THE PRODUCT</p>	<p>TYPE OF CONSTRUCTION</p> <p>FORGED <input type="checkbox"/> WELDED <input type="checkbox"/> WROUGHT <input type="checkbox"/></p> <p>CAST <input type="checkbox"/> OTHER <input type="checkbox"/></p> <p>DESCRIBE OTHER:</p>
LIST OF SUPPORTING DOCUMENTATION AND IDENTIFICATION OF THE ACTUAL ITEMS TO BE REGISTERED: Drawings, Catalogs, Excel Spreadsheets, and burst test reports	

DECLARATION:

I, John Friedrichs (see note 3) employed by Controls Corp. of America and being the person having full authority and responsibility for the quality of the end product do solemnly declare that the information contained in this form is true and to the best of my knowledge represents the product for which registration is sought. The dimensions, materials of construction, pressure temperature ratings, and identification markings are in accordance with the herein named standards. I further declare that the manufacture of these fittings is regulated by a Quality Control Program which extends to each plant where fabrication occurs in whole or in part and has been verified by Intertek Services Corporation as being suitable for that purpose and I make this solemn declaration conscientiously believing it to be true, and knowing that it is of the same force and effect as if made under oath.

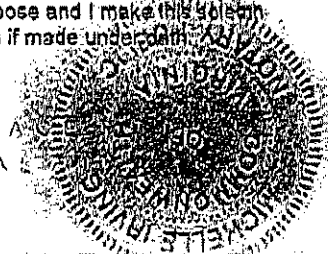
Signature of Declarer: [Signature]

Declared before me at VIRGINIA BEACH, VA

This 1 day of FEB AD 2013

Commissioner of Oaths or Notary Public: (sign) [Signature]
3/11/2014 121520

USE THIS SPACE FOR OFFICIAL USE

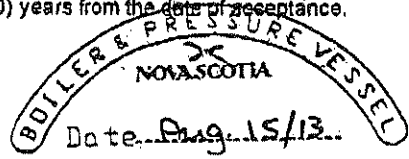


This space for Regulatory Authority use

This registration must be revalidated after ten (10) years from the date of acceptance.

CRN: OH15806.5

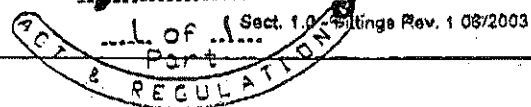
FID#: 614



C.R.N. OH15806.58

Dwg. as described

Signed Yvonne Perry



Notes:

- All fittings shall be registered in the name of the Manufacturer.
- Each category shall be supported with two Statutory Declaration forms and one copy of supporting documentation.
- The declaration shall be made by the person having full authority and responsibility for the quality of the end product.
- Quality control programs shall be resubmitted for validation at a maximum interval of five (5) years.


UNIFORM STATUTORY DECLARATION FORM FOR THE REGISTRATION OF FITTING DESIGNS

NEW BRUNSWICK
NUNAVUT

NOVA SCOTIA
YUKON

PRINCE EDWARD ISLAND
NORTHWEST TERRITORIES

NEWFOUNDLAND AND LABRADOR

MANUFACTURERS NAME: Controls Corporation of America	
MANUFACTURERS ADDRESS: 1501 Harpers Road, Virginia Beach, VA 23454	
PLANT LOCATIONS: U.S.A.	
<p align="center">CATEGORY OF FITTINGS TO BE REGISTERED. CIRCLE ONE CATEGORY ONLY</p> <p>A Pipe fittings, including couplings, tees, elbows, Ys, plugs, unions, pipe caps, or reducers B Flanges: all flanges C Valves: all line valves D Expansion joints, flexible connections, and hose assemblies: all types E Strainers, filters, separators, and steam traps F Measuring devices, including pressure gauges, level gauges, sight glasses, levels, or pressure transmitters G Certified capacity-rated pressure relief devices acceptable as primary over pressure protection on boilers, pressure vessels, piping and fusible plugs <input checked="" type="radio"/> H Pressure retaining components that do not fall into one of the above categories</p> <p>N N° <input type="checkbox"/> INCREASE <input type="checkbox"/> DECREASE <input type="checkbox"/> Class 1 <input type="checkbox"/> Class 2 <input type="checkbox"/> Class 3 <input type="checkbox"/>, (Meeting CNSC or ASME requirements)</p>	<p>TITLE OF THE STANDARD OF CONSTRUCTION Proof test 4x max design pressure</p>
<p>SI  CONCOA PRECISION GAS CONTROLS WWW.CONCOA.COM</p>	<p>MANUFACTURERS NAME, TRADEMARK, OR LOGO AS IT WILL APPEAR ON THE PRODUCT</p> <p>TYPE OF CONSTRUCTION FORGED <input type="checkbox"/> WELDED <input type="checkbox"/> WROUGHT <input type="checkbox"/> CAST <input type="checkbox"/> OTHER <input type="checkbox"/> DESCRIBE OTHER:</p>
<p>LIST OF SUPPORTING DOCUMENTATION AND IDENTIFICATION OF THE ACTUAL ITEMS TO BE REGISTERED: Drawings, Catalogs, Excel Spreadsheets, and burst test reports</p>	

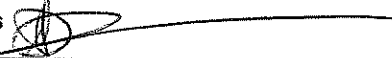
DECLARATION:

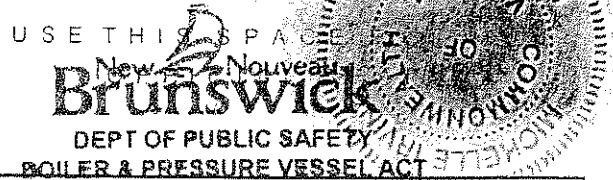
I, John Friedrichs (see note 3) employed by Controls Corp. of America and being the person having full authority and responsibility for the quality of the end product do solemnly declare that the information contained in this form is true and to the best of my knowledge represents the product for which registration is sought. The dimensions, materials of construction, pressure temperature ratings, and identification markings are in accordance with the herein named standards. I further declare that the manufacture of these fittings is regulated by a Quality Control Program which extends to each plant where fabrication occurs in whole or in part and has been verified by Intertek Services Corporation as being suitable for that purpose and I make this solemn declaration conscientiously believing it to be true, and knowing that it is of the same force and effect as if made under oath.

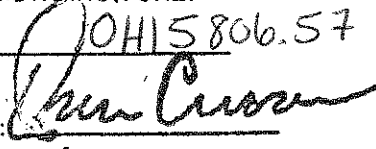
Signature of Declarer: 

Declared before me at VIRGINIA BEACH, VA

This 1 day of FEB AD 2013

Commissioner of Oaths or Notary Public: (sign) 
31 MAY 2014 EXP # 1015528



This space for Regulatory Authority use This registration must be revalidated after ten (10) years from the date of registration.	
CRN: <u>OH15806.5</u> FID#: <u>614</u>	CRN: <u>OH15806.57</u> EXAMINER: <u></u> for CHIEF BOILER INSPECTOR DATE: <u>8/15/2013</u>
Notes: 1. All fittings shall be registered in the name of the Manufacturer. 2. Each category shall be supported with two Statutory Declaration forms and one copy of supporting documentation. 3. The declaration shall be made by the person having full authority and responsibility for the quality of the end product. 4. Quality control programs shall be resubmitted for validation at a maximum interval of five (5) years.	<input type="checkbox"/> BLRs <input type="checkbox"/> PVs <input checked="" type="checkbox"/> FITTINGS <input type="checkbox"/> COMPONENTS


UNIFORM STATUTORY DECLARATION FORM FOR THE REGISTRATION OF FITTING DESIGNS

NEW BRUNSWICK
NUNAVUT

NOVA SCOTIA
YUKON

PRINCE EDWARD ISLAND
NORTHWEST TERRITORIES

NEWFOUNDLAND AND LABRADOR

MANUFACTURERS NAME: Controls Corporation of America	
MANUFACTURERS ADDRESS: 1501 Harpers Road, Virginia Beach, VA 23454	
PLANT LOCATIONS: U.S.A.	
<p align="center">CATEGORY OF FITTINGS TO BE REGISTERED. CIRCLE ONE CATEGORY ONLY</p> <p>A Pipe fittings, including couplings, tees, elbows, Ys, plugs, unions, pipe caps, or reducers B Flanges: all flanges C Valves: all line valves D Expansion joints, flexible connections, and hose assemblies: all types E Strainers, filters, separators, and steam traps F Measuring devices, including pressure gauges, level gauges, sight glasses, levels, or pressure transmitters G Certified capacity-rated pressure relief devices acceptable as primary over pressure protection on boilers, pressure vessels, piping and fusible plugs <input checked="" type="radio"/> H Pressure retaining components that do not fall into one of the above categories N <input type="checkbox"/> Class 1 <input type="checkbox"/> Class 2 <input type="checkbox"/> Class 3. (Meeting CNSC or ASME requirements)</p>	<p align="center">TITLE OF THE STANDARD OF CONSTRUCTION</p> <p>Proof test 4x max design pressure</p>
<p align="center">MANUFACTURERS NAME, TRADEMARK, OR LOGO AS IT WILL APPEAR ON THE PRODUCT</p> 	<p align="center">TYPE OF CONSTRUCTION</p> <p>FORGED <input type="checkbox"/> WELDED <input type="checkbox"/> WROUGHT <input type="checkbox"/> CAST <input type="checkbox"/> OTHER <input type="checkbox"/> DESCRIBE OTHER:</p>
<p>LIST OF SUPPORTING DOCUMENTATION AND IDENTIFICATION OF THE ACTUAL ITEMS TO BE REGISTERED:</p> <p>Drawings, Catalogs, Excel Spreadsheets, and burst test reports</p>	

DECLARATION:

I, John Friedrichs (see note 3) employed by Controls Corp. of America and being the person having full authority and responsibility for the quality of the end product do solemnly declare that the information contained in this form is true and to the best of my knowledge represents the product for which registration is sought. The dimensions, materials of construction, pressure temperature ratings, and identification markings are in accordance with the herein named standards. I further declare that the manufacture of these fittings is regulated by a Quality Control Program which extends to each plant where fabrication occurs in whole or in part and has been verified by Intertek Services Corporation as being suitable for that purpose and I make this solemn declaration conscientiously believing it to be true, and knowing that it is of the same force and effect as if made under oath.

Signature of Declarer: [Signature]

Declared before me at VIRGINIA BEACH, VA

This 1 day of FEB AD 2013

Commissioner of Oaths [Signature]

or Notary Public: (sign) [Signature]



<p align="center">This space for Regulatory Authority use</p> <p align="center">This registration must be revalidated after ten (10) years from the date of acceptance.</p> <p>CRN: <u>OH15806.5</u></p> <p>FID#: <u>614</u></p> <p>Notes: 1. All fittings shall be registered in the name of the Manufacturer. 2. Each category shall be supported with two Statutory Declaration forms and one copy of supporting documentation. 3. The declaration shall be made by the person having full authority and responsibility for the quality of the end product. 4. Quality control programs shall be resubmitted for validation at a maximum interval of five (5) years.</p>	<p align="center">GOVERNMENT OF NEWFOUNDLAND AND LABRADOR</p> <p align="center">Department of Government Services</p> <p>Registered <u>OH15806.50</u></p> <p>Date <u>04 SEP 2013</u></p> <p align="center">GOVERNMENT SERVICES CENTRE Engineering and Inspection Services</p> <p>Registered by <u>[Signature]</u></p> <p align="center">UNDER THE AUTHORITY OF THE PUBLIC SAFETY ACT AND THE BOILER, PRESSURE VESSELS AND COMPRESSED GAS REGULATIONS</p>
---	--


UNIFORM STATUTORY DECLARATION FORM FOR THE REGISTRATION OF FITTING DESIGNS

NEW BRUNSWICK
NUNAVUT

NOVA SCOTIA
YUKON

PRINCE EDWARD ISLAND
NORTHWEST TERRITORIES

NEWFOUNDLAND AND LABRADOR

MANUFACTURERS NAME: Controls Corporation of America	
MANUFACTURERS ADDRESS: 1501 Harpers Road, Virginia Beach, VA 23454	
PLANT LOCATIONS: U.S.A.	
<p>CATEGORY OF FITTINGS TO BE REGISTERED. CIRCLE ONE CATEGORY ONLY</p> <p>A Pipe fittings, including couplings, tees, elbows, Ys, plugs, unions, pipe caps, or reducers B Flanges: all flanges C Valves: all line valves D Expansion joints, flexible connections, and hose assemblies: all types E Strainers, filters, separators, and steam traps F Measuring devices, including pressure gauges, level gauges, sight glasses, levels, or pressure transmitters G Certified capacity-rated pressure relief devices acceptable as primary over pressure protection on boilers, pressure vessels, piping and fusible plugs <input checked="" type="radio"/> H Pressure retaining components that do not fall into one of the above categories</p> <p>N NPS Schedule 40s: Class 1 <input type="checkbox"/> Class 2 <input type="checkbox"/> Class 3 <input type="checkbox"/>. (Meeting CNSC or ASME requirements)</p>	<p>TITLE OF THE STANDARD OF CONSTRUCTION Proof test 4x max design pressure</p>
<p>SI MANUFACTURERS NAME, TRADEMARK, OR LOGO AS IT WILL APPEAR ON THE PRODUCT</p> 	<p>TYPE OF CONSTRUCTION</p> <p>FORGED <input type="checkbox"/> WELDED <input type="checkbox"/> WROUGHT <input type="checkbox"/> CAST <input type="checkbox"/> OTHER <input type="checkbox"/> DESCRIBE OTHER:</p>
<p>LIST OF SUPPORTING DOCUMENTATION AND IDENTIFICATION OF THE ACTUAL ITEMS TO BE REGISTERED: Drawings, Catalogs, Excel Spreadsheets, and burst test reports</p>	

DECLARATION:

I, John Friedrichs (see note 3) employed by Controls Corp. of America and being the person having full authority and responsibility for the quality of the end product do solemnly declare that the information contained in this form is true and to the best of my knowledge represents the product for which registration is sought. The dimensions, materials of construction, pressure temperature ratings, and identification markings are in accordance with the herein named standards. I further declare that the manufacture of these fittings is regulated by a Quality Control Program which extends to each plant where fabrication occurs in whole or in part and has been verified by Intertek Services Corporation as being suitable for that purpose and I make this solemn declaration conscientiously believing it to be true, and knowing that it is of the same force and effect as if made under oath.

Signature of Declarer: 

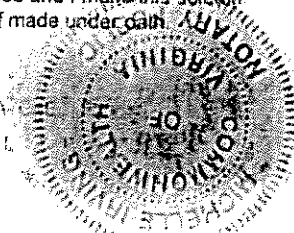
Declared before me at VIRGINIA BEACH, VA

This 1 day of FEB AD 2013

Commissioner of Oaths 

or Notary Public: (sign) 3111A72014 EX # 143528

USE THIS SPACE FOR OFFICIAL




This space for Regulatory Authority use

This registration must be revalidated after ten (10) years from the date of acceptance.

CRN: 0H15806.5

FID#: 614

Notes:
 1. All fittings shall be registered in the name of the Manufacturer.
 2. Each category shall be supported with two Statutory Declaration forms and one copy of supporting documentation.
 3. The declaration shall be made by the person having full authority and responsibility for the quality of the end product.
 4. Quality control programs shall be resubmitted for validation at a maximum interval of five (5) years.




UNIFORM STATUTORY DECLARATION FORM FOR THE REGISTRATION OF FITTING DESIGNS

NEW BRUNSWICK
NUNAVUT

NOVA SCOTIA
YUKON

PRINCE EDWARD ISLAND
NORTHWEST TERRITORIES

NEWFOUNDLAND AND LABRADOR

MANUFACTURERS NAME: Controls Corporation of America	
MANUFACTURERS ADDRESS: 1501 Harpers Road, Virginia Beach, VA 23454	
PLANT LOCATIONS: U.S.A.	
CATEGORY OF FITTINGS TO BE REGISTERED. CIRCLE ONE CATEGORY ONLY A Pipe fittings, including couplings, tees, elbows, Ys, plugs, unions, pipe caps, or reducers B Flanges: all flanges C Valves: all line valves D Expansion joints, flexible connections, and hose assemblies: all types E Strainers, filters, separators, and steam traps F Measuring devices, including pressure gauges, level gauges, sight glasses, levels, or pressure transmitters G Certified capacity-rated pressure relief devices acceptable as primary over pressure protection on boilers, pressure vessels, piping and fusible plugs <input checked="" type="radio"/> H Pressure retaining components that do not fall into one of the above categories N N/A	TITLE OF THE STANDARD OF CONSTRUCTION Proof test 4x max design pressure
REGISTERED NAME, TRADEMARK, OR LOGO AS IT WILL APPEAR ON THE PRODUCT 	TYPE OF CONSTRUCTION FORGED <input type="checkbox"/> WELDED <input type="checkbox"/> WROUGHT <input type="checkbox"/> CAST <input type="checkbox"/> OTHER <input type="checkbox"/> DESCRIBE OTHER:
LIST OF SUPPORTING DOCUMENTATION AND IDENTIFICATION OF THE ACTUAL ITEMS TO BE REGISTERED: Drawings, Catalogs, Excel Spreadsheets, and burst test reports	

DECLARATION:

I, John Friedrichs (100 0015 3) employed by Controls Corp. of America and being the person having full authority and responsibility for the quality of the end product do solemnly declare that the information contained in this form is true and to the best of my knowledge represents the product for which registration is sought. The dimensions, materials of construction, pressure temperature ratings, and identification markings are in accordance with the herein named standards. I further declare that the manufacture of these fittings is regulated by a Quality Control Program which extends to each plant where fabrication occurs in whole or in part and has been verified by Intertek Services Corporation as being suitable for that purpose and I make this solemn declaration conscientiously believing it to be true, and knowing that it is of the same force and effect as if made under oath.

Signature of Declarer: [Signature]

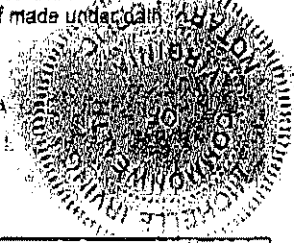
Declared before me at VIRGINIA BEACH, VA

This 1 day of FEB AD 2013

Commissioner of Oaths [Signature]

Notary Public: (sign) [Signature]
31MA7264 EX #765528

USE THIS SPACE FOR OFFICIAL STAMP



This space for Regulatory Authority use

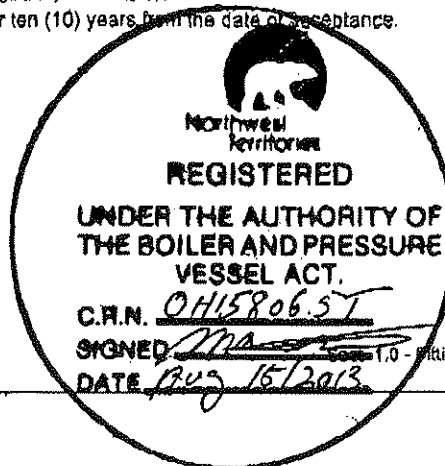
This registration must be revalidated after ten (10) years from the date of acceptance.

CRN: 0H15806.5

FID#: 614

Notes:

- All fittings shall be registered in the name of the Manufacturer.
- Each category shall be supported with two Statutory Declaration forms and one copy of supporting documentation.
- The declaration shall be made by the person having full authority and responsibility for the quality of the end product.
- Quality control programs shall be resubmitted for validation at a maximum interval of five (5) years.



15800


UNIFORM STATUTORY DECLARATION FORM FOR THE REGISTRATION OF FITTING DESIGNS

NEW BRUNSWICK
NUNAVUT

NOVA SCOTIA
YUKON

PRINCE EDWARD ISLAND
NORTHWEST TERRITORIES

NEWFOUNDLAND AND LABRADOR

MANUFACTURERS NAME: Controls Corporation of America	
MANUFACTURERS ADDRESS: 1501 Harpers Road, Virginia Beach, VA 23464	
PLANT LOCATIONS: U.S.A.	
<p align="center">CATEGORY OF FITTINGS TO BE REGISTERED. CIRCLE ONE CATEGORY ONLY</p> <p>A Pipe fittings, including couplings, tees, elbows, Ys, plugs, unions, pipe caps, or reducers B Flanges: all flanges C Valves: all line valves D Expansion joints, flexible connections, and hose assemblies: all types E Strainers, filters, separators, and steam traps F Measuring devices, including pressure gauges, level gauges, sight glasses, levels, or pressure transmitters G Certified capacity-rated pressure relief devices acceptable as primary over pressure protection on boilers, pressure vessels, piping and flexible piping <input checked="" type="radio"/> H Pressure retaining components that do not fall into one of the above categories N Non-pressure components: Class 1 <input type="checkbox"/> Class 2 <input type="checkbox"/> Class 3 <input type="checkbox"/>. (Meeting CNSC or ASME requirements)</p>	<p>TITLE OF THE STANDARD OF CONSTRUCTION Proof test 4x max design pressure</p>
<p>SPONSOR'S NAME, TRADEMARK, OR LOGO AS IT WILL APPEAR ON THE PRODUCT</p> 	<p>TYPE OF CONSTRUCTION</p> FORGED <input type="checkbox"/> WELDED <input type="checkbox"/> WROUGHT <input type="checkbox"/> CAST <input type="checkbox"/> OTHER <input type="checkbox"/> DESCRIBE OTHER: _____
<p>LIST OF SUPPORTING DOCUMENTATION AND IDENTIFICATION OF THE ACTUAL ITEMS TO BE REGISTERED: Drawings, Catalogs, Excel Spreadsheets, and burst test reports</p>	

DECLARATION:

I, John Friedrichs (name now is) employed by Controls Corp. of America and being the person having full authority and responsibility for the quality of the end product do solemnly declare that the information contained in this form is true and to the best of my knowledge represents the product for which registration is sought. The dimensions, materials of construction, pressure temperature ratings, and identification markings are in accordance with the herein named standards. I further declare that the manufacture of these fittings is regulated by a Quality Control Program which extends to each plant where fabrication occurs in whole or in part and has been verified by Intertek Services Corporation as being suitable for that purpose and I make this solemn declaration conscientiously believing it to be true and knowing that it is of the same force and effect as if made under oath.

Signature of Declarer: [Signature]

Declared before me at VIRGINIA BEACH, VA

This 1 day of FEB AD 2013

Commissioner of Oaths [Signature]

or Notary Public: (sign) [Signature]
31 MAR 2014 EXP # 105524

USE THIS SPACE FOR OFFICIAL STAMP



This space for Regulatory Authority
 This registration must be revalidated after ten (10) years from the date of acceptance.

CRN: OH15806.5

FID#: 614

Notes:
 1. All fittings shall be registered in the name of the Manufacturer.
 2. Each category shall be supported with two Statutory Declaration forms and one copy of supporting documentation.
 3. The declaration shall be made by the person having full authority and responsibility for the quality of the end product.
 4. Quality control programs shall be resubmitted for validation at a maximum interval of five (5) years.

NUNAVUT
 Boilers and Pressure Vessels Act

REGISTERED

CRN OH15806.5N

Date Aug 26, 2013

Signed [Signature]
 Chief Inspector

Sect. 1.0 - Fittings Rev 1 06/2003

Territorial Registration Fee



14th Floor, Centre Tower
3300 Bloor Street West
Toronto, Ontario
Canada M8X 2X4
Tel.: 416.734.3300
Fax: 416.231.1626
Toll Free: 1.877.682.8772

www.tssa.org

October 25, 2013

JOHN FRIEDRICHS
CONTROLS CORPORATION OF AMERICA
1501 HARPERS RD
VIRGINIA BEACH VA 23454
US

Service Request Type.: BPV-National ACI Central
Service Request No.: 1068762
Your Reference No.: DISTRIBUTION SYSTEMS - PHASE 1- CAT H FITTING
Registered to.: CONTROLS CORPORATION OF AMERICA

Dear JOHN FRIEDRICHS,

Please find enclosed the original response from PEI,NS,NB,NFLD,YK,NFLD,NWT,NU, registered under the CRN No.: 0H15806.59870YTN.

As all jurisdictional fees are handled by the Technical Standards and Safety Authority (TSSA), you do not pay any jurisdictions directly.

Should you have any questions or require further assistance, I will be happy to assist you. For general enquiries, please contact a Customer Service Advisor at 1.877.682.TSSA (8772) or e-mail customerservices@tssa.org. When contacting TSSA regarding this file, please refer to the Service Request number provided above.

Yours truly,

Tanya Francis
Administrative Assistant_ BPV Engineering
Tel.: 416-734-3423
Fax: 416-231-6183
Email: tfrancis@tssa.org


UNIFORM STATUTORY DECLARATION FORM FOR THE REGISTRATION OF FITTING DESIGNS

NEW BRUNSWICK
NUNAVUT

NOVA SCOTIA
YUKON

PRINCE EDWARD ISLAND
NORTHWEST TERRITORIES

NEWFOUNDLAND AND LABRADOR

MANUFACTURERS NAME: Controls Corporation of America	
MANUFACTURERS ADDRESS: 1501 Harpers Road, Virginia Beach, VA 23454	
PLANT LOCATIONS: U.S.A.	
CATEGORY OF FITTINGS TO BE REGISTERED, CIRCLE ONE CATEGORY ONLY	
<p>A Pipe fittings, including couplings, tees, elbows, Ys, plugs, unions, pipe caps, or reducers</p> <p>B Flanges: all flanges</p> <p>C Valves: all line valves</p> <p>D Expansion joints, flexible connections, and hose assemblies: all types</p> <p>E Strainers, filters, separators, and steam traps</p> <p>F Measuring devices, including pressure gauges, level gauges, sight glasses, levels, or pressure transmitters</p> <p>G Certified capacity-rated pressure relief devices acceptable as primary over pressure protection on boilers, pressure vessels, piping and fusible plugs</p> <p><input checked="" type="radio"/> H Pressure retaining components that do not fall into one of the above categories</p> <p>N N/A</p> <p>Notes: Class 1 <input type="checkbox"/> Class 2 <input type="checkbox"/> Class 3 <input type="checkbox"/>. (Meeting CNSC or ASME requirements)</p>	TITLE OF THE STANDARD OF CONSTRUCTION Proof test 4x max design pressure
<p>SPONSOR'S NAME, TRADEMARK OR LOGO AS IT WILL APPEAR ON THE PRODUCT</p> 	<p>TYPE OF CONSTRUCTION</p> <p>FORGED <input type="checkbox"/> WELDED <input type="checkbox"/> WROUGHT <input type="checkbox"/></p> <p>CAST <input type="checkbox"/> OTHER <input type="checkbox"/></p> <p>DESCRIBE OTHER:</p>
<p>LIST OF SUPPORTING DOCUMENTATION AND IDENTIFICATION OF THE ACTUAL ITEMS TO BE REGISTERED:</p> <p>Drawings, Catalogs, Excel Spreadsheets, and burst test reports</p>	

DECLARATION:

I, John Friedrichs (see note 3) employed by Controls Corp. of America and being the person having full authority and responsibility for the quality of the end product do solemnly declare that the information contained in this form is true and to the best of my knowledge represents the product for which registration is sought. The dimensions, materials of construction, pressure temperature ratings, and identification markings are in accordance with the herein named standards. I further declare that the manufacture of these fittings is regulated by a Quality Control Program which extends to each plant where fabrication occurs in whole or in part and has been verified by Intertek Services Corporation as being suitable for that purpose and I make this solemn declaration conscientiously believing it to be true, and knowing that it is of the same force and effect as if made under oath.

Signature of Declarer: [Signature]

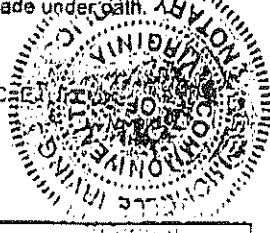
Declared before me at VIRGINIA BEACH, VA

This 1 day of FEB AD 2013

Commissioner of Oaths or Notary Public: (sign) [Signature]

311A-7264 EXP # 16152A

USE THIS SPACE FOR OFFICIAL



This space for Regulatory Authority use

This registration must be revalidated after ten (10) years from the date of acceptance.

CRN: OH15806.5

FID#: 614

Notes:

- All fittings shall be registered in the name of the Manufacturer.
- Each category shall be supported with two Statutory Declaration forms and one copy of supporting documentation.
- The declaration shall be made by the person having full authority and responsibility for the quality of the end product.
- Quality control programs shall be resubmitted for validation at a maximum interval of five (5) years.

ACCEPTED
 PROVINCE OF PRINCE EDWARD ISLAND
 ENVIRONMENT, LABOUR & JUSTICE
 C.R.N. OH15806.59
 DATE: August 13
INSPECTION SERVICES SECTION
BOILER/PRESSURE VESSEL BRANCH
 Sect. 1.0 - Fittings Rev. 1 05/2003


UNIFORM STATUTORY DECLARATION FORM FOR THE REGISTRATION OF FITTING DESIGNS

NEW BRUNSWICK
NUNAVUT

NOVA SCOTIA
YUKON

PRINCE EDWARD ISLAND
NORTHWEST TERRITORIES

NEWFOUNDLAND AND LABRADOR

MANUFACTURERS NAME: Controls Corporation of America	
MANUFACTURERS ADDRESS: 1501 Harpers Road, Virginia Beach, VA 23454	
PLANT LOCATIONS: U.S.A.	
CATEGORY OF FITTINGS TO BE REGISTERED. CIRCLE ONE CATEGORY ONLY.	
<p>A Pipe fittings, including couplings, tees, elbows, Ys, plugs, unions, pipe caps, or reducers</p> <p>B Flanges: all flanges</p> <p>C Valves: all line valves</p> <p>D Expansion joints, flexible connections, and hose assemblies: all types</p> <p>E Strainers, filters, separators, and steam traps</p> <p>F Measuring devices, including pressure gauges, level gauges, sight glasses, levels, or pressure transmitters</p> <p>G Certified capacity-rated pressure relief devices acceptable as primary over pressure protection on boilers, pressure vessels, piping and fusible plugs</p> <p>H Pressure retaining components that do not fall into one of the above categories</p> <p>N Non-pressure parts: Class 1 <input type="checkbox"/> Class 2 <input type="checkbox"/> Class 3 <input type="checkbox"/> (Meeting CNSC or ASME requirements)</p>	TITLE OF THE STANDARD OF CONSTRUCTION Proof test 4x max design pressure
 <p>REG. NAME, TRADEMARK, OR LOGO AS IT WILL APPEAR ON THE PRODUCT</p>	<p>TYPE OF CONSTRUCTION</p> <p>FORGED <input type="checkbox"/> WELDED <input type="checkbox"/> WROUGHT <input type="checkbox"/></p> <p>CAST <input type="checkbox"/> OTHER <input type="checkbox"/></p> <p>DESCRIBE OTHER:</p>
LIST OF SUPPORTING DOCUMENTATION AND IDENTIFICATION OF THE ACTUAL ITEMS TO BE REGISTERED: Drawings, Catalogs, Excel Spreadsheets, and burst test reports	

DECLARATION:

I, John Friedrichs (see note 3) employed by Controls Corp. of America and being the person having full authority and responsibility for the quality of the end product do solemnly declare that the information contained in this form is true and to the best of my knowledge represents the product for which registration is sought. The dimensions, materials of construction, pressure temperature ratings, and identification markings are in accordance with the herein named standards. I further declare that the manufacture of these fittings is regulated by a Quality Control Program which extends to each plant where fabrication occurs in whole or in part and has been verified by Intertek Services Corporation as being suitable for that purpose and I make this solemn declaration conscientiously believing it to be true, and knowing that it is of the same force and effect as if made under oath.

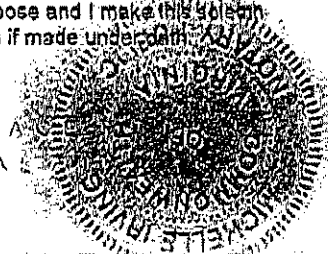
Signature of Declarer: [Signature]

Declared before me at VIRGINIA BEACH, VA

This 1 day of FEB AD 2013

Commissioner of Oaths or Notary Public: (sign) [Signature]
3/11/2014

USE THIS SPACE FOR OFFICIAL USE

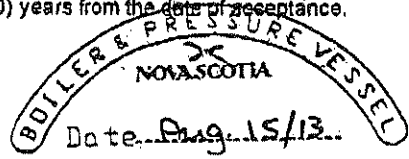


This space for Regulatory Authority use

This registration must be revalidated after ten (10) years from the date of acceptance.

CRN: OH15806.5

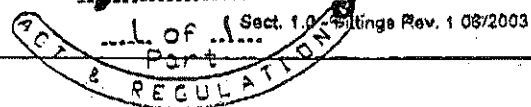
FID#: 614



C.R.N. OH15806.58

Dwg. as described

Signed Yvonne Perry



Notes:

- All fittings shall be registered in the name of the Manufacturer.
- Each category shall be supported with two Statutory Declaration forms and one copy of supporting documentation.
- The declaration shall be made by the person having full authority and responsibility for the quality of the end product.
- Quality control programs shall be resubmitted for validation at a maximum interval of five (5) years.


UNIFORM STATUTORY DECLARATION FORM FOR THE REGISTRATION OF FITTING DESIGNS

NEW BRUNSWICK
NUNAVUT

NOVA SCOTIA
YUKON

PRINCE EDWARD ISLAND
NORTHWEST TERRITORIES

NEWFOUNDLAND AND LABRADOR

MANUFACTURERS NAME: Controls Corporation of America	
MANUFACTURERS ADDRESS: 1501 Harpers Road, Virginia Beach, VA 23454	
PLANT LOCATIONS: U.S.A.	
<p align="center">CATEGORY OF FITTINGS TO BE REGISTERED. CIRCLE ONE CATEGORY ONLY</p> <p>A Pipe fittings, including couplings, tees, elbows, Ys, plugs, unions, pipe caps, or reducers B Flanges: all flanges C Valves: all line valves D Expansion joints, flexible connections, and hose assemblies: all types E Strainers, filters, separators, and steam traps F Measuring devices, including pressure gauges, level gauges, sight glasses, levels, or pressure transmitters G Certified capacity-rated pressure relief devices acceptable as primary over pressure protection on boilers, pressure vessels, piping and fusible plugs <input checked="" type="radio"/> H Pressure retaining components that do not fall into one of the above categories</p> <p>N N° <input type="checkbox"/> INCREASE <input type="checkbox"/> DECREASE <input type="checkbox"/> Class 1 <input type="checkbox"/> Class 2 <input type="checkbox"/> Class 3 <input type="checkbox"/>, (Meeting CNSC or ASME requirements)</p>	<p>TITLE OF THE STANDARD OF CONSTRUCTION Proof test 4x max design pressure</p>
<p>SI  CONCOA PRECISION GAS CONTROLS WWW.CONCOA.COM</p>	<p>MANUFACTURERS NAME, TRADEMARK, OR LOGO AS IT WILL APPEAR ON THE PRODUCT</p>
<p>TYPE OF CONSTRUCTION FORGED <input type="checkbox"/> WELDED <input type="checkbox"/> WROUGHT <input type="checkbox"/> CAST <input type="checkbox"/> OTHER <input type="checkbox"/> DESCRIBE OTHER:</p>	
<p>LIST OF SUPPORTING DOCUMENTATION AND IDENTIFICATION OF THE ACTUAL ITEMS TO BE REGISTERED: Drawings, Catalogs, Excel Spreadsheets, and burst test reports</p>	

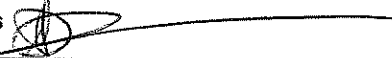
DECLARATION:

I, John Friedrichs (see note 3) employed by Controls Corp. of America and being the person having full authority and responsibility for the quality of the end product do solemnly declare that the information contained in this form is true and to the best of my knowledge represents the product for which registration is sought. The dimensions, materials of construction, pressure temperature ratings, and identification markings are in accordance with the herein named standards. I further declare that the manufacture of these fittings is regulated by a Quality Control Program which extends to each plant where fabrication occurs in whole or in part and has been verified by Intertek Services Corporation as being suitable for that purpose and I make this solemn declaration conscientiously believing it to be true, and knowing that it is of the same force and effect as if made under oath.

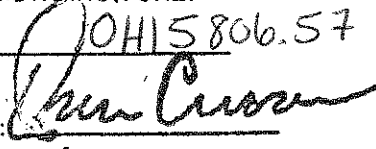
Signature of Declarer: 

Declared before me at VIRGINIA BEACH, VA

This 1 day of FEB AD 2013

Commissioner of Oaths or Notary Public: (sign) 
31 MAY 2014 EXP # 1015528



This space for Regulatory Authority use This registration must be revalidated after ten (10) years from the date of registration.	
CRN: <u>OH15806.5</u> FID#: <u>614</u>	CRN: <u>OH15806.57</u> EXAMINER: <u></u> for CHIEF BOILER INSPECTOR DATE: <u>8/15/2013</u>
Notes: 1. All fittings shall be registered in the name of the Manufacturer. 2. Each category shall be supported with two Statutory Declaration forms and one copy of supporting documentation. 3. The declaration shall be made by the person having full authority and responsibility for the quality of the end product. 4. Quality control programs shall be resubmitted for validation at a maximum interval of five (5) years.	<input type="checkbox"/> BLRs <input type="checkbox"/> PVs <input checked="" type="checkbox"/> FITTINGS <input type="checkbox"/> COMPONENTS


UNIFORM STATUTORY DECLARATION FORM FOR THE REGISTRATION OF FITTING DESIGNS

NEW BRUNSWICK
NUNAVUT

NOVA SCOTIA
YUKON

PRINCE EDWARD ISLAND
NORTHWEST TERRITORIES

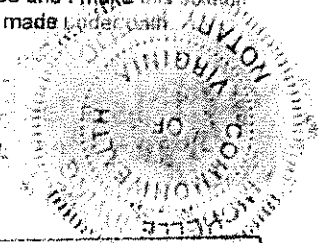
NEWFOUNDLAND AND LABRADOR

MANUFACTURERS NAME: Controls Corporation of America	
MANUFACTURERS ADDRESS: 1501 Harpers Road, Virginia Beach, VA 23454	
PLANT LOCATIONS: U.S.A.	
<p align="center">CATEGORY OF FITTINGS TO BE REGISTERED. CIRCLE ONE CATEGORY ONLY</p> <p>A Pipe fittings, including couplings, tees, elbows, Ys, plugs, unions, pipe caps, or reducers B Flanges: all flanges C Valves: all line valves D Expansion joints, flexible connections, and hose assemblies: all types E Strainers, filters, separators, and steam traps F Measuring devices, including pressure gauges, level gauges, sight glasses, levels, or pressure transmitters G Certified capacity-rated pressure relief devices acceptable as primary over pressure protection on boilers, pressure vessels, piping and fusible plugs H Pressure retaining components that do not fall into one of the above categories N <input type="checkbox"/> Class 1 <input type="checkbox"/> Class 2 <input type="checkbox"/> Class 3 <input type="checkbox"/>. (Meeting CNSC or ASME requirements)</p>	<p align="center">TITLE OF THE STANDARD OF CONSTRUCTION</p> Proof test 4x max design pressure
<p align="center">MANUFACTURERS NAME, TRADEMARK, OR LOGO AS IT WILL APPEAR ON THE PRODUCT</p> 	<p align="center">TYPE OF CONSTRUCTION</p> FORGED <input type="checkbox"/> WELDED <input type="checkbox"/> WROUGHT <input type="checkbox"/> CAST <input type="checkbox"/> OTHER <input type="checkbox"/> DESCRIBE OTHER:
<p align="center">LIST OF SUPPORTING DOCUMENTATION AND IDENTIFICATION OF THE ACTUAL ITEMS TO BE REGISTERED:</p> Drawings, Catalogs, Excel Spreadsheets, and burst test reports	

DECLARATION:
 I, John Friedrichs (see note 3) employed by Controls Corp. of America and being the person having full authority and responsibility for the quality of the end product do solemnly declare that the information contained in this form is true and to the best of my knowledge represents the product for which registration is sought. The dimensions, materials of construction, pressure temperature ratings, and identification markings are in accordance with the herein named standards. I further declare that the manufacture of these fittings is regulated by a Quality Control Program which extends to each plant where fabrication occurs in whole or in part and has been verified by Intertek Services Corporation as being suitable for that purpose and I make this solemn declaration conscientiously believing it to be true, and knowing that it is of the same force and effect as if made under oath.

Signature of Declarer: [Signature]
 Declared before me at VIRGINIA BEACH, VA
 This 1 day of FEB AD 2013
 Commissioner of Oaths [Signature]
 or Notary Public: (sign) [Signature]
31 MAY 2014 EXP # 261522

USE THIS SPACE FOR OFFICIAL



This space for Regulatory Authority use

This registration must be revalidated after ten (10) years from the date of acceptance.

CRN: OH15806.5

FID#: 614

Notes:
 1. All fittings shall be registered in the name of the Manufacturer.
 2. Each category shall be supported with two Statutory Declaration forms and one copy of supporting documentation.
 3. The declaration shall be made by the person having full authority and responsibility for the quality of the end product.
 4. Quality control programs shall be resubmitted for validation at a maximum interval of five (5) years.

GOVERNMENT OF
 NEWFOUNDLAND
 AND LABRADOR
 Department of
 Government Services

Registered OH15806.50
 Date 04 SEP 2013

GOVERNMENT SERVICES CENTRE
 Engineering and Inspection Services

Registered by [Signature]
 UNDER THE AUTHORITY OF THE
 PUBLIC SAFETY ACT AND
 THE BOILER, PRESSURE VESSELS AND
 COMPRESSED GAS REGULATIONS


UNIFORM STATUTORY DECLARATION FORM FOR THE REGISTRATION OF FITTING DESIGNS

NEW BRUNSWICK
NUNAVUT

NOVA SCOTIA
YUKON

PRINCE EDWARD ISLAND
NORTHWEST TERRITORIES

NEWFOUNDLAND AND LABRADOR

MANUFACTURERS NAME: Controls Corporation of America	
MANUFACTURERS ADDRESS: 1501 Harpers Road, Virginia Beach, VA 23454	
PLANT LOCATIONS: U.S.A.	
<p>CATEGORY OF FITTINGS TO BE REGISTERED. CIRCLE ONE CATEGORY ONLY</p> <p>A Pipe fittings, including couplings, tees, elbows, Ys, plugs, unions, pipe caps, or reducers B Flanges: all flanges C Valves: all line valves D Expansion joints, flexible connections, and hose assemblies: all types E Strainers, filters, separators, and steam traps F Measuring devices, including pressure gauges, level gauges, sight glasses, levels, or pressure transmitters G Certified capacity-rated pressure relief devices acceptable as primary over pressure protection on boilers, pressure vessels, piping and fusible plugs <input checked="" type="radio"/> H Pressure retaining components that do not fall into one of the above categories</p> <p>N NPS Schedule 40s: Class 1 <input type="checkbox"/> Class 2 <input type="checkbox"/> Class 3 <input type="checkbox"/>. (Meeting CNSC or ASME requirements)</p>	<p>TITLE OF THE STANDARD OF CONSTRUCTION Proof test 4x max design pressure</p>
<p>SI MANUFACTURERS NAME, TRADEMARK, OR LOGO AS IT WILL APPEAR ON THE PRODUCT</p> 	<p>TYPE OF CONSTRUCTION</p> <p>FORGED <input type="checkbox"/> WELDED <input type="checkbox"/> WROUGHT <input type="checkbox"/> CAST <input type="checkbox"/> OTHER <input type="checkbox"/> DESCRIBE OTHER:</p>
<p>LIST OF SUPPORTING DOCUMENTATION AND IDENTIFICATION OF THE ACTUAL ITEMS TO BE REGISTERED: Drawings, Catalogs, Excel Spreadsheets, and burst test reports</p>	

DECLARATION:

I, John Friedrichs (see note 3) employed by Controls Corp. of America and being the person having full authority and responsibility for the quality of the end product do solemnly declare that the information contained in this form is true and to the best of my knowledge represents the product for which registration is sought. The dimensions, materials of construction, pressure temperature ratings, and identification markings are in accordance with the herein named standards. I further declare that the manufacture of these fittings is regulated by a Quality Control Program which extends to each plant where fabrication occurs in whole or in part and has been verified by Intertek Services Corporation as being suitable for that purpose and I make this solemn declaration conscientiously believing it to be true, and knowing that it is of the same force and effect as if made under oath.

Signature of Declarer: 

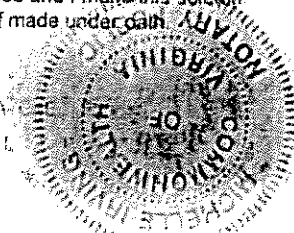
Declared before me at VIRGINIA BEACH, VA

This 1 day of FEB AD 2013

Commissioner of Oaths 

or Notary Public: (sign) 3111A72014 EX # 143528

USE THIS SPACE FOR OFFICIAL




This space for Regulatory Authority use

This registration must be revalidated after ten (10) years from the date of acceptance.

CRN: OH15806.5

FID#: 614

Notes:
 1. All fittings shall be registered in the name of the Manufacturer.
 2. Each category shall be supported with two Statutory Declaration forms and one copy of supporting documentation.
 3. The declaration shall be made by the person having full authority and responsibility for the quality of the end product.
 4. Quality control programs shall be resubmitted for validation at a maximum interval of five (5) years.



GOVERNMENT OF YUKON
 BY A
 CRN OH15806.5
 DATE 8/15/13
 BOILER'S BRANCH

Sec 1.03 Fittings Rev. 1.05/2003


UNIFORM STATUTORY DECLARATION FORM FOR THE REGISTRATION OF FITTING DESIGNS

NEW BRUNSWICK
NUNAVUT

NOVA SCOTIA
YUKON

PRINCE EDWARD ISLAND
NORTHWEST TERRITORIES

NEWFOUNDLAND AND LABRADOR

MANUFACTURERS NAME: Controls Corporation of America	
MANUFACTURERS ADDRESS: 1501 Harpers Road, Virginia Beach, VA 23454	
PLANT LOCATIONS: U.S.A.	
CATEGORY OF FITTINGS TO BE REGISTERED. CIRCLE ONE CATEGORY ONLY A Pipe fittings, including couplings, tees, elbows, Ys, plugs, unions, pipe caps, or reducers B Flanges: all flanges C Valves: all line valves D Expansion joints, flexible connections, and hose assemblies: all types E Strainers, filters, separators, and steam traps F Measuring devices, including pressure gauges, level gauges, sight glasses, levels, or pressure transmitters G Certified capacity-rated pressure relief devices acceptable as primary over pressure protection on boilers, pressure vessels, piping and fusible plugs <input checked="" type="radio"/> H Pressure retaining components that do not fall into one of the above categories N N/A	TITLE OF THE STANDARD OF CONSTRUCTION Proof test 4x max design pressure
REGISTERED NAME, TRADEMARK, OR LOGO AS IT WILL APPEAR ON THE PRODUCT 	TYPE OF CONSTRUCTION FORGED <input type="checkbox"/> WELDED <input type="checkbox"/> WROUGHT <input type="checkbox"/> CAST <input type="checkbox"/> OTHER <input type="checkbox"/> DESCRIBE OTHER:
LIST OF SUPPORTING DOCUMENTATION AND IDENTIFICATION OF THE ACTUAL ITEMS TO BE REGISTERED: Drawings, Catalogs, Excel Spreadsheets, and burst test reports	

DECLARATION:

I John Friedrichs (100 0015 3) employed by Controls Corp. of America and being the person having full authority and responsibility for the quality of the end product do solemnly declare that the information contained in this form is true and to the best of my knowledge represents the product for which registration is sought. The dimensions, materials of construction, pressure temperature ratings, and identification markings are in accordance with the herein named standards. I further declare that the manufacture of these fittings is regulated by a Quality Control Program which extends to each plant where fabrication occurs in whole or in part and has been verified by Intertek Services Corporation as being suitable for that purpose and I make this solemn declaration conscientiously believing it to be true, and knowing that it is of the same force and effect as if made under oath.

Signature of Declarer: [Signature]

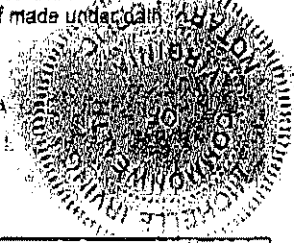
Declared before me at VIRGINIA BEACH, VA

This 1 day of FEB AD 2013

Commissioner of Oaths [Signature]

Notary Public: (sign) [Signature]
31MA7264 # 765528

USE THIS SPACE FOR OFFICIAL



This space for Regulatory Authority use

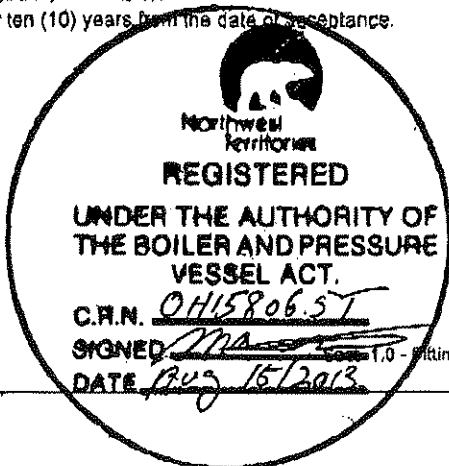
This registration must be revalidated after ten (10) years from the date of acceptance.

CRN: 0H15806.5

FID#: 614

Notes:

- All fittings shall be registered in the name of the Manufacturer.
- Each category shall be supported with two Statutory Declaration forms and one copy of supporting documentation.
- The declaration shall be made by the person having full authority and responsibility for the quality of the end product.
- Quality control programs shall be resubmitted for validation at a maximum interval of five (5) years.



15800


UNIFORM STATUTORY DECLARATION FORM FOR THE REGISTRATION OF FITTING DESIGNS

NEW BRUNSWICK
NUNAVUT

NOVA SCOTIA
YUKON

PRINCE EDWARD ISLAND
NORTHWEST TERRITORIES

NEWFOUNDLAND AND LABRADOR

MANUFACTURERS NAME: Controls Corporation of America	
MANUFACTURERS ADDRESS: 1501 Harpers Road, Virginia Beach, VA 23464	
PLANT LOCATIONS: U.S.A.	
<p align="center">CATEGORY OF FITTINGS TO BE REGISTERED. CIRCLE ONE CATEGORY ONLY</p> <p>A Pipe fittings, including couplings, tees, elbows, Ys, plugs, unions, pipe caps, or reducers B Flanges: all flanges C Valves: all line valves D Expansion joints, flexible connections, and hose assemblies: all types E Strainers, filters, separators, and steam traps F Measuring devices, including pressure gauges, level gauges, sight glasses, levels, or pressure transmitters G Certified capacity-rated pressure relief devices acceptable as primary over pressure protection on boilers, pressure vessels, piping and flexible piping <input checked="" type="radio"/> H Pressure retaining components that do not fall into one of the above categories N Non-pressure components: Class 1 <input type="checkbox"/> Class 2 <input type="checkbox"/> Class 3 <input type="checkbox"/>. (Meeting CNSC or ASME requirements)</p>	<p>TITLE OF THE STANDARD OF CONSTRUCTION Proof test 4x max design pressure</p>
<p>SPONSOR'S NAME, TRADEMARK, OR LOGO AS IT WILL APPEAR ON THE PRODUCT</p> 	<p>TYPE OF CONSTRUCTION</p> FORGED <input type="checkbox"/> WELDED <input type="checkbox"/> WROUGHT <input type="checkbox"/> CAST <input type="checkbox"/> OTHER <input type="checkbox"/> DESCRIBE OTHER:
<p>LIST OF SUPPORTING DOCUMENTATION AND IDENTIFICATION OF THE ACTUAL ITEMS TO BE REGISTERED: Drawings, Catalogs, Excel Spreadsheets, and burst test reports</p>	

DECLARATION:

I, John Friedrichs (name now is) employed by Controls Corp. of America and being the person having full authority and responsibility for the quality of the end product do solemnly declare that the information contained in this form is true and to the best of my knowledge represents the product for which registration is sought. The dimensions, materials of construction, pressure temperature ratings, and identification markings are in accordance with the herein named standards. I further declare that the manufacture of these fittings is regulated by a Quality Control Program which extends to each plant where fabrication occurs in whole or in part and has been verified by Intertek Services Corporation as being suitable for that purpose and I make this solemn declaration conscientiously believing it to be true and knowing that it is of the same force and effect as if made under oath.

Signature of Declarer: [Signature]

Declared before me at VIRGINIA BEACH, VA

This 1 day of FEB AD 2013

Commissioner of Oaths [Signature]

or Notary Public: (sign) [Signature]
31 MAR 2014 EXP # 105524

USE THIS SPACE FOR OFFICIAL



This space for Regulatory Authority
 This registration must be revalidated after ten (10) years from the date of acceptance.

CRN: OH15806.5

FID#: 614

Notes:
 1. All fittings shall be registered in the name of the Manufacturer.
 2. Each category shall be supported with two Statutory Declaration forms and one copy of supporting documentation.
 3. The declaration shall be made by the person having full authority and responsibility for the quality of the end product.
 4. Quality control programs shall be resubmitted for validation at a maximum interval of five (5) years.

NUNAVUT
 Boilers and Pressure Vessels Act

REGISTERED

CRN OH15806.5N

Date Aug 26, 2013

Signed [Signature]
 Chief Inspector

Sept 1.0 - Fittings Rev 1 06/2003

Territorial Registration Fee



14th Floor, Centre Tower
3300 Bloor Street West
Toronto, Ontario
Canada M8X 2X4
Tel.: 416.734.3300
Fax: 416.231.1626
Toll Free: 1.877.682.8772

www.tssa.org

August 07, 2013

JOHN FRIEDRICHS
CONTROLS CORPORATION OF AMERICA
1501 HARPERS RD
VIRGINIA BEACH VA 23454
US

Service Request Type.: BPV-National AB
Service Request No.: 1068760
Your Reference No.: DISTRIBUTION SYSTEMS - PHASE 1- CAT H FITTING
Registered to.: CONTROLS CORPORATION OF AMERICA

Dear JOHN FRIEDRICHS,

Please find enclosed the original response from AB, registered under the CRN No.: 0H15806.52.

As all jurisdictional fees are handled by the Technical Standards and Safety Authority (TSSA), you do not pay any jurisdictions directly.

Should you have any questions or require further assistance, I will be happy to assist you. For general enquiries, please contact a Customer Service Advisor at 1.877.682.TSSA (8772) or e-mail customerservices@tssa.org. When contacting TSSA regarding this file, please refer to the Service Request number provided above.

Yours truly,

Tanya Francis
Administrative Assistant_ BPV Engineering
Tel. : 416-734-3423
Fax : 416-231-6183
Email : tfrancis@tssa.org



the pressure equipment safety authority

9410 - 20 Ave N.W.
Edmonton, Alberta, Canada T6N 0A4
Tel: (780) 437-9100 / Fax: (780) 437-7787

June 17, 2013

Attention: Tanya Francis
TECHNICAL STANDARDS & SAFETY AUTHORITY
3300 BLOOR STREET WEST
14 FLOOR CENTRE TOWER
TORONTO, ON M8X 2X4

The design submission, tracking number 2013-02247, originally received on March 27, 2013 was surveyed and accepted for registration as follows:

CRN : 0H15806.52 **Accepted on:** June 17, 2013
Reg Type: New Design **Expiry Date:** February 06, 2023
Drawing No. : CONCOA GAS FITTINGS CATALOGUES
Fitting type: FITTING TYPES AND P/T RATINGS AS PER ATTACHMENT
Design registered in the name of : CONTROLS CORPORATION OF AMERICA
The registration is conditional on your compliance with the following notes:

TSSA SR# 1068760/ CRN 0H15806.5

The fittings types and Pressure & Temperature ratings are as per the 8 pages attached to the Statutory Declaration.

This registration is valid only for fittings fabricated at the location(s) covered by the QC certificate attached to the accepted AB-41 Statutory Declaration form. This registration is valid only until the indicated expiry date only if the Manufacturer maintains a valid quality management system approved by an acceptable third-party agency until that date. Should the approval of the quality management system lapse before the expiry date indicated above, this registration shall become void.

An invoice covering survey and registration fees will be forwarded from our Revenue Accounts.

Enclosed are stamped prints for your reference.

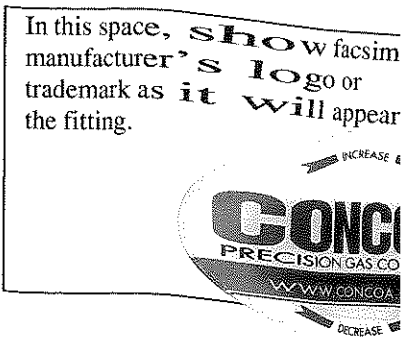
Sincerely,

PREDA, DRAGOS, P. Eng.



the pressure equipment safety authority

STATUTORY DECLARATION
Registration of Fittings



I, John Friedrichs,

Engineer II

(company title, e.g. vice president, plant manager, chief engineer) (must be in a position of authority)

of Controls Corporation of America

(name of manufacturer)

located at 1501 Harpers Road, Virginia Beach, VA 23454 USA

(plant address)

do solemnly declare that the fittings listed hereunder, which are subject to the Safety Codes Act (check one)

comply with the requirements of _____ which specifies the dimensions, (title of recognized North American Standard)

materials of construction, pressure/temperature ratings and identification marking of the fittings, or

are not covered by the provisions of a recognized North American standard and are therefore manufactured to comply with 4x max pressure burst test as supported by the attached data which identifies the dimensions, materials of construction, pressure/temperature ratings and the basis for such ratings, and the marking of the fittings for identification.

I further declare that the manufacture of these fittings is controlled by a quality control program which has been verified by the following authority, Intertek Services Corporation as being suitable for the manufacture of these fittings to the stated standard. The fittings covered by this declaration, for which I seek registration, are ISO 9001

In support of this application, the following information, calculations and/or test data are attached:

Catalog pages, Drawings, Excel Spreadsheets, and burst test data

DECLARED before me at VIRGINIA BEACH in the STATE of VIRGINIA

this 1 day of FEB, 2013
(Month) (Year)

(print) MICHAEL KIVING

(sign) [Signature]

[Signature]
(Signature of Applicant)

7015528 (A Commissioner for Oaths) 31 MAY 2014 EXP

For Office Use Only

See Acceptance Letter for the comments and/or conditions of registration.

To the best of my knowledge and belief, the application meets the requirements of the Safety Codes Act and CSA Standard B51, Clause 4.2, and is accepted for registration in Category HU

Registration Number: OH 15806.52

Date Registered: JUN 17 2013

(For the Administrator/Chief Inspector of Alberta)
Expiry Date: 2023/02/06

CONCOA CRN Testing Summary Sheet

Package 2 - Type H
529007X

Scope: 529007X Station Drop Compressed Gas Systems

Comments: For items with existing CRN numbers, see attached sheet for pressure ratings. Total internal volume is well under 1.5 cu. ft.

Item	CRN / Test Data / Exclusions
1	OA8728.5
2	OA8728.5
3	See 8350471 burst test data attached
4	OA8728.5
5	OA8728.5
6	OA8728.5
7	See 8030434 burst test data attached

ASCA
SAFETY CODES ACT - PROVINCE OF ALBERTA
REGISTRATION OF FITTINGS

REGISTRATION NO. OH 15806.52

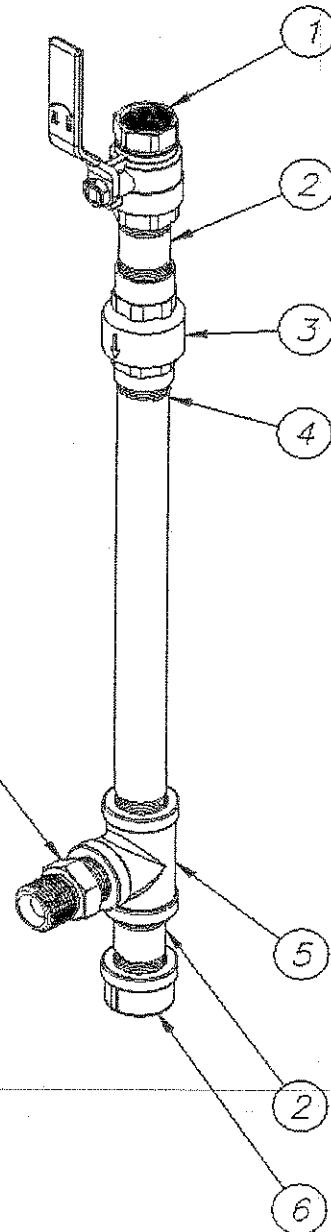
DWG. NO. or CAT. NO. max. 300 psi

TYPE OF FITTINGS @ -40°/140°F

Date JUN 17 2013 INITIALS Prede

DRAGOS PREDA, P.Eng.
DESIGN SURVEY ENGINEER

Sketch:



Note:

Test results reflect testing of the highest rated inlet and outlet pressures of the entire series - testing the components with the thinnest wall thickness and weakest materials (worst case items in the design). All models in scope have same geometry, same materials of construction, same or lower pressure ratings, and the same temperature ratings as the tested items.

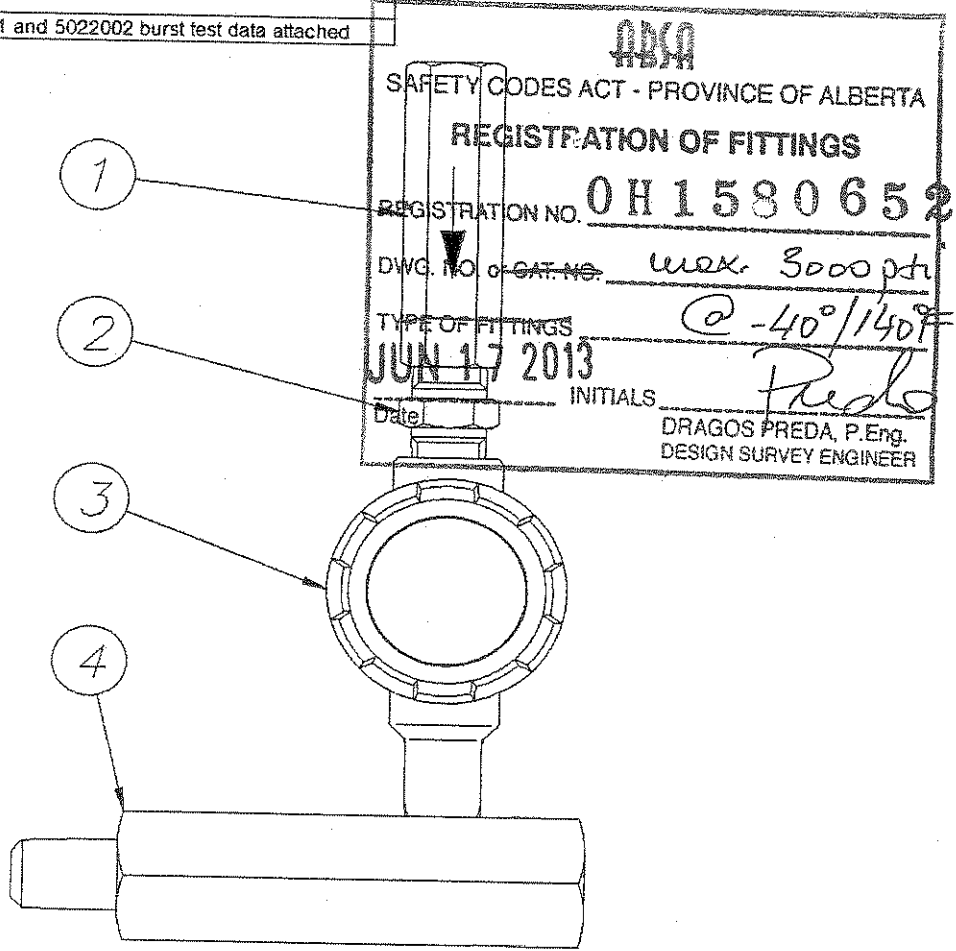
CONCOA CRN Testing Summary Sheet

Package 3 - Type H
5022XXX

Scope: 5022XXX Compressed Gas Tee Purge Systems

Comments: For items with existing CRN numbers, see attached sheet for pressure ratings. Total internal volume is well under 1.5 cu. ft.

Item	CRN / Test Data / Exclusions
1	OC12577.5C
2	See 5534104 burst test data attached
3	OH5216.5R1
4	See 5022001 and 5022002 burst test data attached



Sketch:

Note:

Test results reflect testing of the highest rated inlet and outlet pressures of the entire series - testing the components with the thinnest wall thickness and weakest materials (worst case items in the design). All models in scope have same geometry, same materials of construction, same or lower pressure ratings, and the same temperature ratings as the tested items.

CONCOA CRN Testing Summary Sheet

Package 4 - Type H
628

Scope:

628 Manifold Compressed Gas Systems (pigtailes on some models shall require a separate valid CRN - Items 4 from sketch below is excluded from this listing)

Comments:

For items with existing CRN numbers, see attached sheet for pressure ratings. Total internal volume is well under 1.5 cu. ft.

Item	CRN / Test Data / Exclusions
1	See 8291849 burst test data attached
2	6" extension - See 8291851 burst test data attached
3	12" extension - See 8291847 burst test data attached
4	Excluded from this listing

~~0000~~

SAFETY CODES ACT - PROVINCE OF ALBERTA

REGISTRATION OF FITTINGS

REGISTRATION NO. **0H1580652**

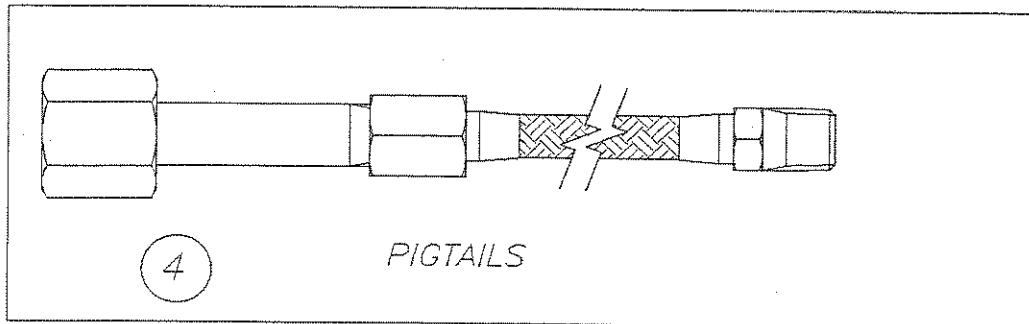
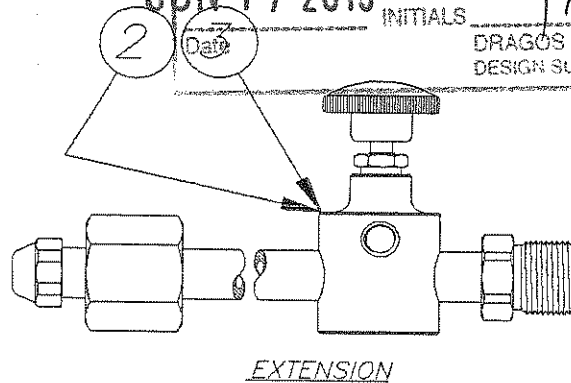
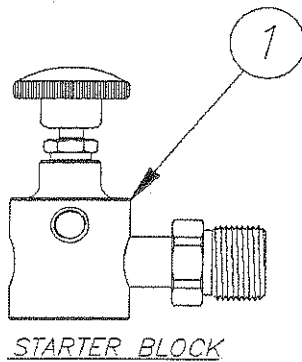
DWG. NO. or CAT. NO. max 3000 psi

TYPE OF FITTINGS @ -46°/140°F

JUN 17 2013 INITIALS Prede

DRAGOS PREDA, P.Eng.
DESIGN SURVEY ENGINEER

Sketch:



Note:

Test results reflect testing of the highest rated inlet and outlet pressures of the entire series - testing the components with the thinnest wall thickness and weakest materials (worst case items in the design). All models in scope have same geometry, same materials of construction, same or lower pressure ratings, and the same temperature ratings as the tested items.

CONCOA CRN Testing Summary Sheet

Package 5 - Type H
631/633

Scope:

631/633 Series Compressed Gas Systems (manifolds on some models shall require a separate valid CRN - Items 8,9 and 10 from sketch below are excluded from this listing)

Comments:

For items with existing CRN numbers, see attached sheet for pressure ratings. Total internal volume is well under 1.5 cu. ft.

Item	CRN / Test Data / Exclusions
1	OF11809.2
2	OH7770.5R1
3	See 8306499 burst test attached
4	CRN OA4093.2
5	See 8291839 burst test attached
6	See 8291840 burst test attached
7	See 8306498 burst test attached
8	Excluded from this listing
9	Excluded from this listing
10	Excluded from this listing

SAFETY CODES ACT - PROVINCE OF ALBERTA
REGISTRATION OF FITTINGS

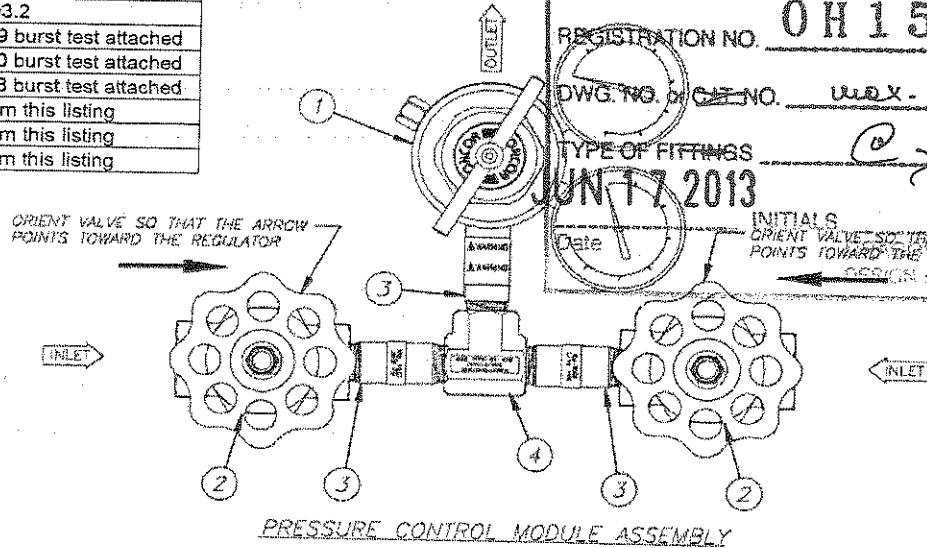
REGISTRATION NO. **OH 1580652**

DWG. NO. OF SET NO. **max. 3000 psi**

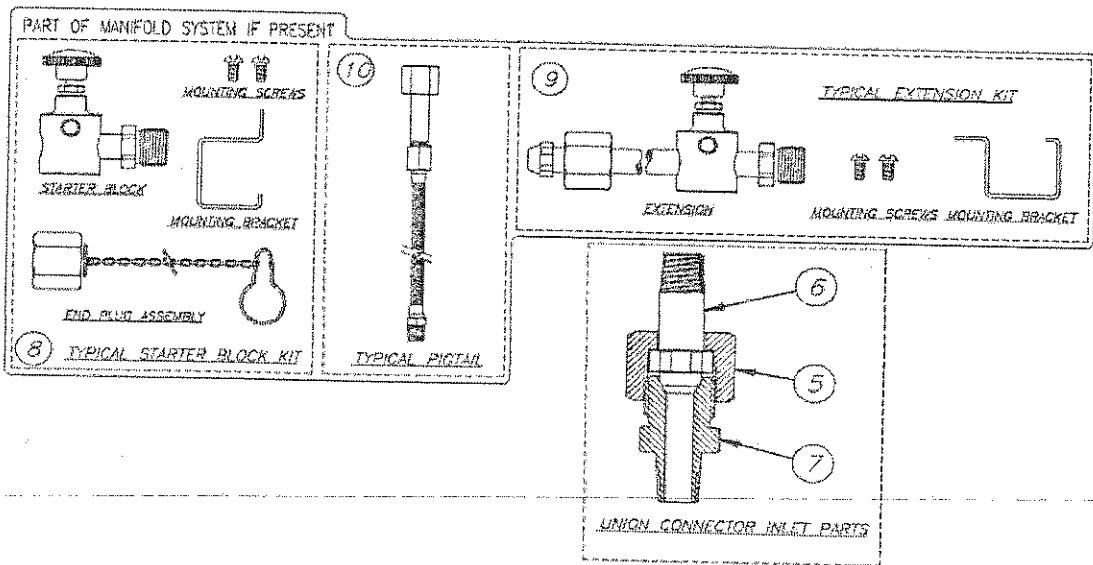
TYPE OF FITTINGS **@ - 40°/140° F**

JUN 17 2013

INITIALS **Prado**
ORIENT VALVE SO THAT THE ARROW POINTS TOWARD THE REGULATOR
DESIGN SURVEY ENGINEER



Sketch:



Note:

Test results reflect testing of the highest rated inlet and outlet pressures of the entire series - testing the components with the thinnest wall thickness and weakest materials (worst case items in the design). All models in scope have same geometry, same materials of construction, same or lower pressure ratings, and the same temperature ratings as the tested items.

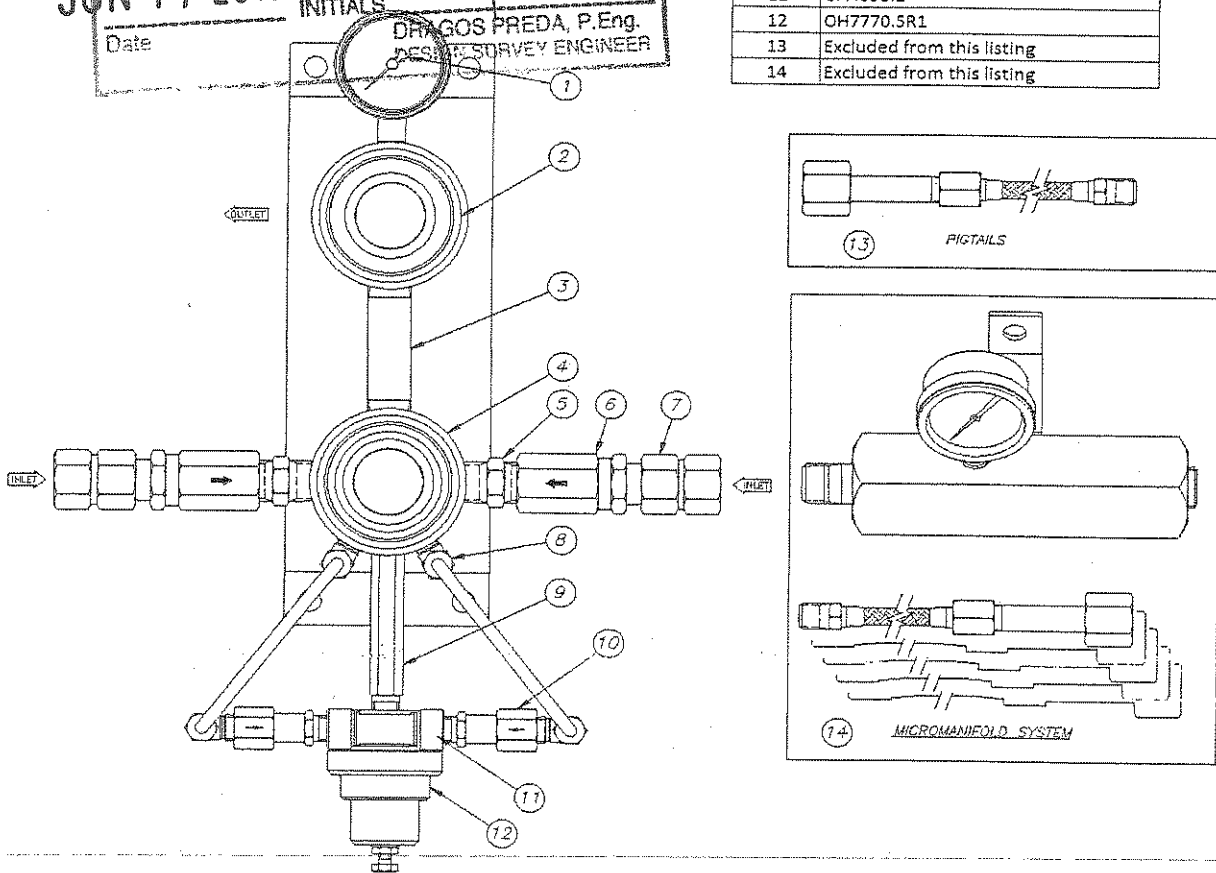
Scope: 632 Series Compressed Gas Systems (manifolds and pigtails on some models shall require a separate valid CRN - Items 13 and 14 from sketch below are excluded from this listing)

Comments: For items with existing CRN numbers, see attached sheet for pressure ratings. Total internal volume is well under 5 cu. ft.

SAFETY CODES ACT - PROVINCE OF ALBERTA
REGISTRATION OF FITTINGS
 REGISTRATION NO. **OH 1580652**
 DWG. NO. or CAT. NO. **max 4,500 psi**
 TYPE OF FITTINGS **@ -40°/140°F**
JUN 17 2013
 Date
 INITIALS **Prede**
DRAGOS PREDA, P.Eng.
 DESIGN SURVEY ENGINEER

Item	CRN / Test Data / Exclusions
1	OF8241.5 or OF2026.2
2	OF11809.2
3	See 8306230 burst test attached
4	See 632 Switch Reg burst test attached
5	See 8306499 burst test attached
6	OA12577.5C or OA4093.2
7	OA12577.5C
8	OA12577.5C, OA4093.2 or OA9866.5
9	OA12577.5C, OA4093.2 or OA9866.5
10	OA12577.5C
11	OA4093.2
12	OH7770.5R1
13	Excluded from this listing
14	Excluded from this listing

Sketch:



Note:

Test results reflect testing of the highest rated inlet and outlet pressures of the entire series - testing the components with the thinnest wall thickness and weakest materials (worst case items in the design). All models in scope have same geometry, same materials of construction, same or lower pressure ratings, and the same temperature ratings as the tested items.

CONCOA CRN Testing Summary Sheet

Package 8 - Type H
52B, 52C, 52S

Scope: 52B, 52C and 52S Manifold Compressed Gas Systems (pigtails on some models shall require a separate valid CRN - Items 4 from sketch below is excluded from this listing)

Comments: For items with existing CRN numbers, see attached sheet for pressure ratings. Total internal volume is well under 1.5 cu. ft.

Item	CRN / Test Data / Exclusions
1	OH5216.5R1
2	6" brass - See 8292007 burst test attached
2	6" stainless - See 8294007 burst test attached
2	12" brass - See 8292008 burst test attached
2	12" stainless - See 8294008 burst test attached
3	OH5216.5R1
4	Excluded from this listing

ASCA

SAFETY CODES ACT - PROVINCE OF ALBERTA
REGISTRATION OF FITTINGS

REGISTRATION NO. OH15806.52

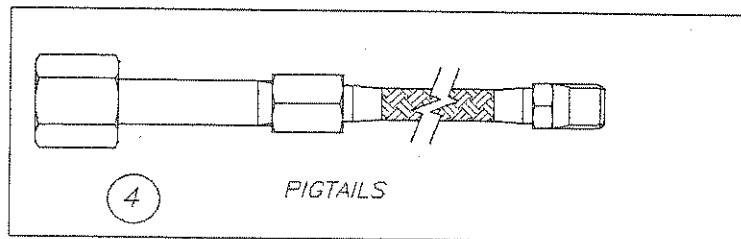
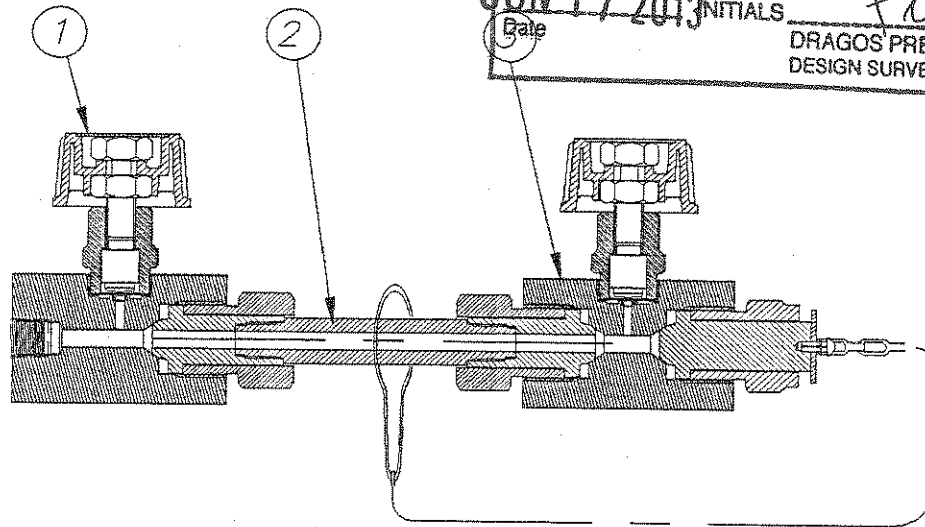
DWG. NO. or GAT. NO. 3000 psi

TYPE OF FITTINGS @ -40°/140°F

JUN 17 2013 INITIALS Predo

DRAGOS PREDA, P.Eng.
DESIGN SURVEY ENGINEER

Sketch:



Note:

Test results reflect testing of the highest rated inlet and outlet pressures of the entire series - testing the components with the thinnest wall thickness and weakest materials (worst case items in the design). All models in scope have same geometry, same materials of construction, same or lower pressure ratings, and the same temperature ratings as the tested items.

CONCOA CRN Testing Summary Sheet

Package 7 - Type H
629

Scope: 629 Series Micro Manifold Compressed Gas Systems

Comments: For items with existing CRN numbers, see attached sheet for pressure ratings. Total internal volume is well under 1.5 cu. ft.

Item	CRN / Test Data / Exclusions
1	Excluded from this listing
2	See 8350080 burst test data attached
3	See 8309746 burst test data attached
4	Excluded from this listing
5	Excluded from this listing

~~1577~~

SAFETY CODES ACT - PROVINCE OF ALBERTA
REGISTRATION OF FITTINGS

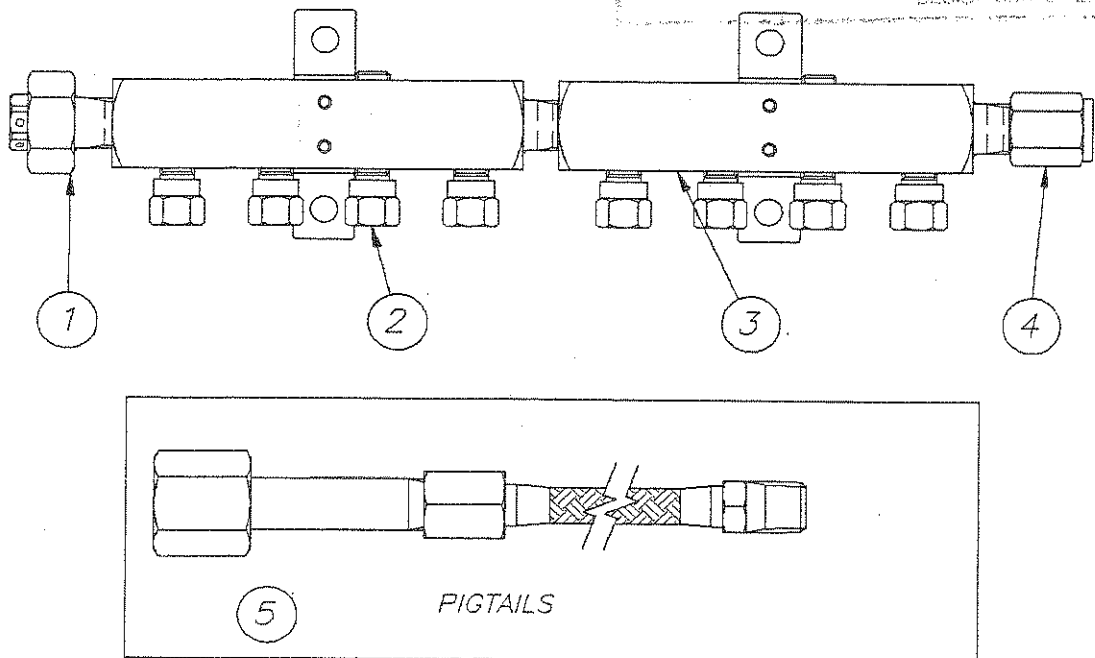
REGISTRATION NO. 0H1580652

DWG. NO. or CAT. NO. max 4500 psi

TYPE OF FITTINGS @ -320°/165° F

JUN 17 2013 INITIALS Preda
Date DRAGOS PREDA, P.Eng.
DESIGN SURVEY ENGINEER

Sketch:



Note:

Test results reflect testing of the highest rated inlet and outlet pressures of the entire series - testing the components with the thinnest wall thickness and weakest materials (worst case items in the design). All models in scope have same geometry, same materials of construction, same or lower pressure ratings, and the same temperature ratings as the tested items.

CONCOA CRN Testing Summary Sheet

Package 9 - Type H
526/527/620

Scope: 526/527/620 Series Compressed Gas Systems (manifold connectors and pigtails on some models shall require a separate valid CRN - Items 6 and 7 from sketch below are excluded from this listing)

Comments: For items with existing CRN numbers, see attached sheet for pressure ratings. Total internal volume is well under 1.5 cu. ft.

SAFETY CODES ACT - PROVINCE OF ALBERTA

REGISTRATION OF FITTINGS

REGISTRATION NO. **OH15306.5 2**

~~DWG. NO. of CAT. NO.~~ **max. 6000 psi @**

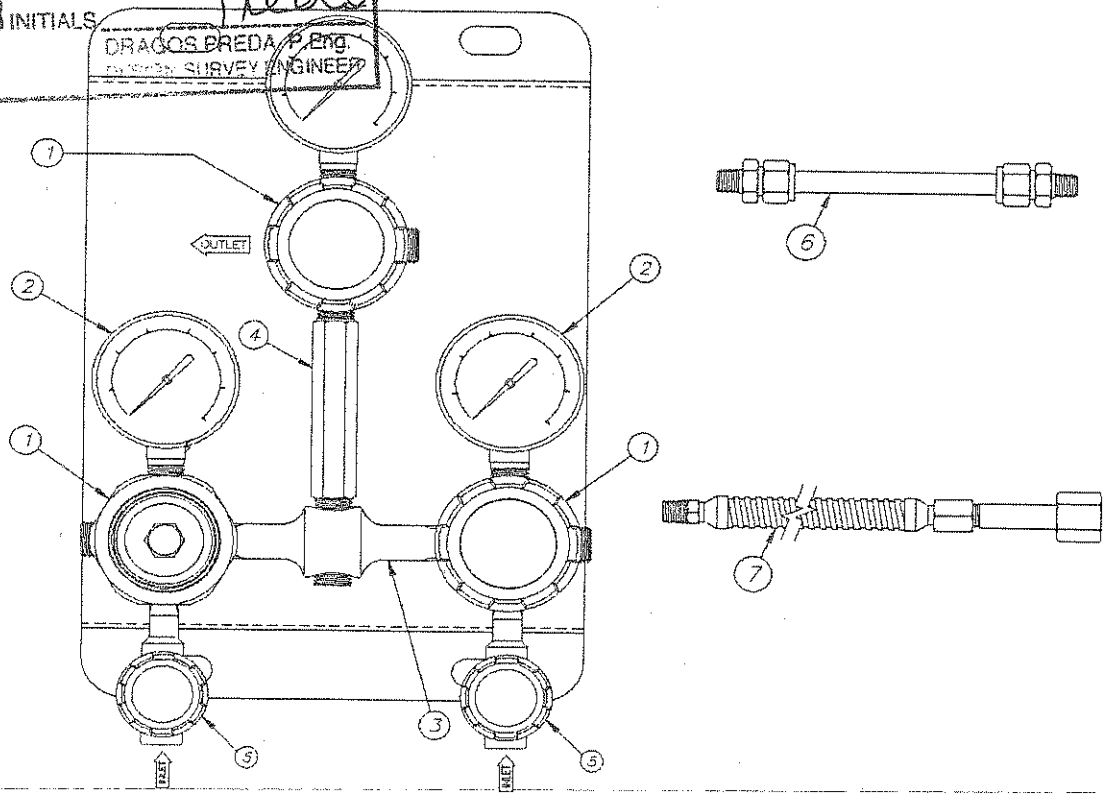
TYPE OF FITTINGS **-40°/140°**

JUN 17 2013 INITIALS **Prelo**

Date **DRAGOS PREDAI, P. ENG.**
REGISTERED SURVEY ENGINEER

Item	CRN / Test Data / Exclusions
1	OH5216.5R1
2	OF2026.2 or OF8241.5
3	See 8307641 and 8307643 burst tests attached
4	See 8308014 and 8308015 burst tests attached
5	OH5216.5R1
6	Excluded from this listing
7	Excluded from this listing

Sketch:



Note: Test results reflect testing of the highest rated inlet and outlet pressures of the entire series - testing the components with the thinnest wall thickness and weakest materials (worst case items in the design). All models in scope have same geometry, same materials of construction, same or lower pressure ratings, and the same temperature ratings as the tested items.



STATUTORY DECLARATION
Registration of Fittings



I, John Friedrichs,
Engineer II
(company title, e.g. vice president, plant manager, chief engineer) (must be in a position of authority)
of Controls Corporation of America
(name of manufacturer)

located at 1501 Harpers Road, Virginia Beach, VA 23454 USA
(plant address)

do solemnly declare that the fittings listed hereunder, which are subject to the Safety Codes Act (check one)

- comply with the requirements of _____ which specifies the dimensions, materials of construction, pressure/temperature ratings and identification marking of the fittings, or
- are not covered by the provisions of a recognized North American standard and are therefore manufactured to comply with 4x max pressure burst test as supported by the attached data which identifies the dimensions, materials of construction, pressure/temperature ratings and the basis for such ratings, and the marking of the fittings for identification.

I further declare that the manufacture of these fittings is controlled by a quality control program which has been verified by the following authority, Intertek Services Corporation as being suitable for the manufacture of these fittings to the stated standard. The fittings covered by this declaration, for which I seek registration, are ISO 9001

In support of this application, the following information, calculations and/or test data are attached:
Catalog pages, Drawings, Excel Spreadsheets, and burst test data

DECLARED before me at VIRGINIA BEACH in the STATE of VIRGINIA

this 1 day of FEB, 2013
(Month) (Year)

(print) MICHAEL IRVING

(Signature of Applicant)

(sign) _____
(A Commissioner for Oaths) 31 MAY 2014 EXPI #7015528

For Office Use Only

To the best of my knowledge and belief, the application meets the requirements of the Safety Codes Act and CSA Standard B51, Clause 4.2, and is accepted for registration in Category _____

Registration Number: _____

Date Registered: _____

(For the Administrator/Chief Inspector of Alberta)
Expiry Date: _____



14th Floor, Centre Tower
3300 Bloor Street West
Toronto, Ontario
Canada M8X 2X4
Tel.: 416.734.3300
Fax: 416.231.1626
Toll Free: 1.877.682.8772

www.tssa.org

August 07, 2013

JOHN FRIEDRICHS
CONTROLS CORPORATION OF AMERICA
1501 HARPERS RD
VIRGINIA BEACH VA 23454
US

Service Request Type.: BPV-National AB
Service Request No.: 1068760
Your Reference No.: DISTRIBUTION SYSTEMS - PHASE 1- CAT H FITTING
Registered to.: CONTROLS CORPORATION OF AMERICA

Dear JOHN FRIEDRICHS,

Please find enclosed the original response from AB, registered under the CRN No.: 0H15806.52.

As all jurisdictional fees are handled by the Technical Standards and Safety Authority (TSSA), you do not pay any jurisdictions directly.

Should you have any questions or require further assistance, I will be happy to assist you. For general enquiries, please contact a Customer Service Advisor at 1.877.682.TSSA (8772) or e-mail customerservices@tssa.org. When contacting TSSA regarding this file, please refer to the Service Request number provided above.

Yours truly,

Tanya Francis
Administrative Assistant_ BPV Engineering
Tel. : 416-734-3423
Fax : 416-231-6183
Email : tfrancis@tssa.org



the pressure equipment safety authority

9410 - 20 Ave N.W.
Edmonton, Alberta, Canada T6N 0A4
Tel: (780) 437-9100 / Fax: (780) 437-7787

June 17, 2013

Attention: Tanya Francis
TECHNICAL STANDARDS & SAFETY AUTHORITY
3300 BLOOR STREET WEST
14 FLOOR CENTRE TOWER
TORONTO, ON M8X 2X4

The design submission, tracking number 2013-02247, originally received on March 27, 2013 was surveyed and accepted for registration as follows:

CRN : 0H15806.52

Accepted on: June 17, 2013

Reg Type: New Design

Expiry Date: February 06, 2023

Drawing No. : CONCOA GAS FITTINGS CATALOGUES

Fitting type: FITTING TYPES AND P/T RATINGS AS PER ATTACHMENT

Design registered in the name of : CONTROLS CORPORATION OF AMERICA

The registration is conditional on your compliance with the following notes:

TSSA SR# 1068760/ CRN 0H15806.5

The fittings types and Pressure & Temperature ratings are as per the 8 pages attached to the Statutory Declaration.

This registration is valid only for fittings fabricated at the location(s) covered by the QC certificate attached to the accepted AB-41 Statutory Declaration form. This registration is valid only until the indicated expiry date only if the Manufacturer maintains a valid quality management system approved by an acceptable third-party agency until that date. Should the approval of the quality management system lapse before the expiry date indicated above, this registration shall become void.

An invoice covering survey and registration fees will be forwarded from our Revenue Accounts.

Enclosed are stamped prints for your reference.

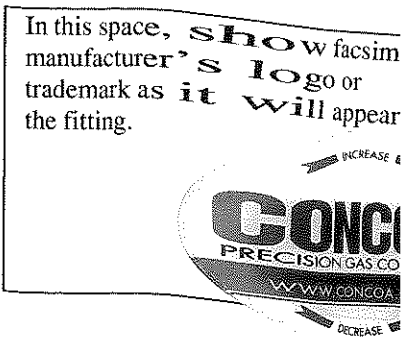
Sincerely,

PREDA, DRAGOS, P. Eng.



the pressure equipment safety authority

STATUTORY DECLARATION
Registration of Fittings



I, John Friedrichs

Engineer II

(company title, e.g. vice president, plant manager, chief engineer) (must be in a position of authority)

of Controls Corporation of America

(name of manufacturer)

located at 1501 Harpers Road, Virginia Beach, VA 23454 USA

(plant address)

do solemnly declare that the fittings listed hereunder, which are subject to the Safety Codes Act (check one)

comply with the requirements of _____ which specifies the dimensions, (title of recognized North American Standard)

materials of construction, pressure/temperature ratings and identification marking of the fittings, or

are not covered by the provisions of a recognized North American standard and are therefore manufactured to comply with 4x max pressure burst test as supported by the attached data which identifies the dimensions, materials of construction, pressure/temperature ratings and the basis for such ratings, and the marking of the fittings for identification.

I further declare that the manufacture of these fittings is controlled by a quality control program which has been verified by the following authority, Intertek Services Corporation as being suitable for the manufacture of these fittings to the stated standard. The fittings covered by this declaration, for which I seek registration, are ISO 9001

In support of this application, the following information, calculations and/or test data are attached:

Catalog pages, Drawings, Excel Spreadsheets, and burst test data

DECLARED before me at VIRGINIA BEACH in the STATE of VIRGINIA

this 1 day of FEB, 2013
(Month) (Year)

(print) MICHAEL KIVING

(sign) _____

(Signature of Applicant)

7015528 (A Commissioner for Oaths) 31 MAY 2014 EXP

For Office Use Only

See Acceptance Letter for the comments and/or conditions of registration.

To the best of my knowledge and belief, the application meets the requirements of the Safety Codes Act and CSA Standard B51, Clause 4.2, and is accepted for registration in Category HU

Registration Number: OH 15806.52

Date Registered: JUN 17 2013

(For the Administrator/Chief Inspector of Alberta)

Expiry Date: 2023/02/06

CONCOA CRN Testing Summary Sheet

Package 2 - Type H
529007X

Scope: 529007X Station Drop Compressed Gas Systems

Comments: For items with existing CRN numbers, see attached sheet for pressure ratings. Total internal volume is well under 1.5 cu. ft.

Item	CRN / Test Data / Exclusions
1	OA8728.5
2	OA8728.5
3	See 8350471 burst test data attached
4	OA8728.5
5	OA8728.5
6	OA8728.5
7	See 8030434 burst test data attached

ASCA
SAFETY CODES ACT - PROVINCE OF ALBERTA
REGISTRATION OF FITTINGS

REGISTRATION NO. **OH 15806.52**

DWG. NO. or CAT. NO. *max. 300 psi*

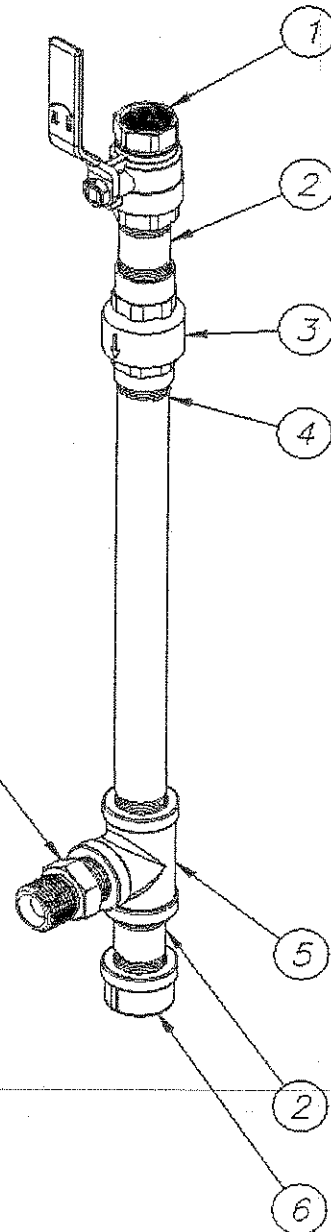
TYPE OF FITTINGS *@ -40°/140°F*

JUN 17 2013 Date

INITIALS *Preda*

DRAGOS PREDA, P.Eng.
DESIGN SURVEY ENGINEER

Sketch:



Note:

Test results reflect testing of the highest rated inlet and outlet pressures of the entire series - testing the components with the thinnest wall thickness and weakest materials (worst case items in the design). All models in scope have same geometry, same materials of construction, same or lower pressure ratings, and the same temperature ratings as the tested items.

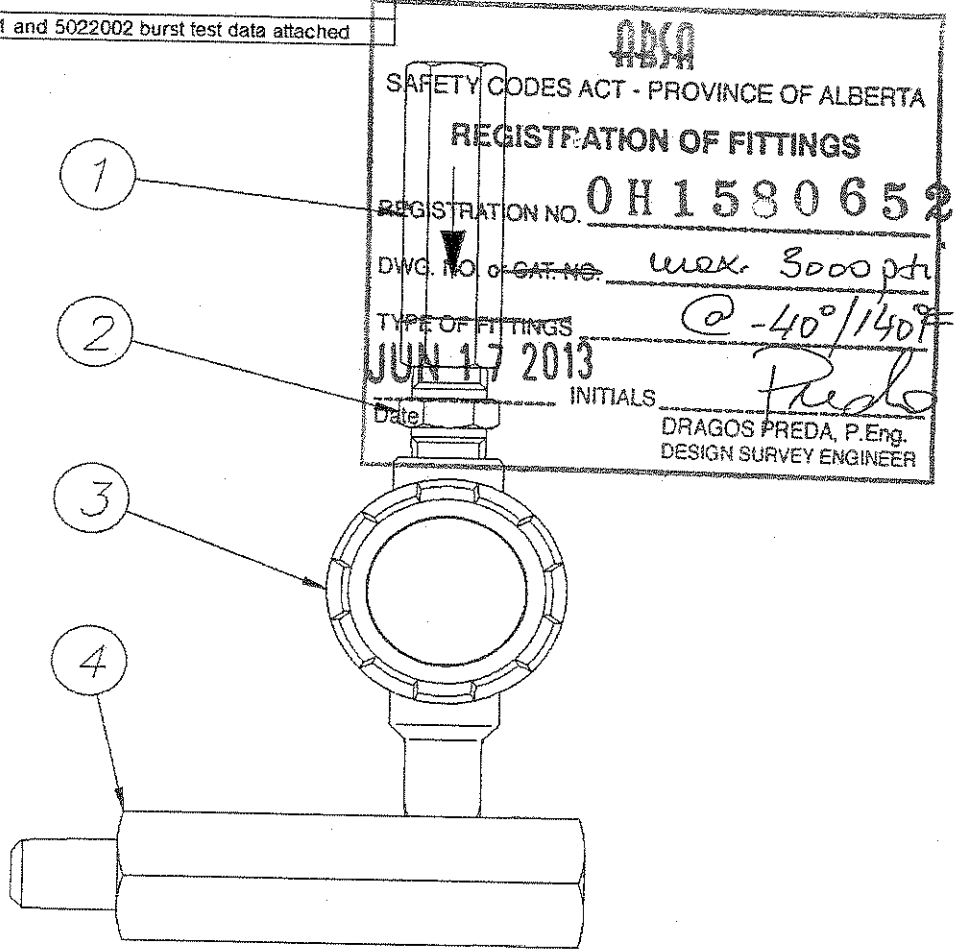
CONCOA CRN Testing Summary Sheet

Package 3 - Type H
5022XXX

Scope: 5022XXX Compressed Gas Tee Purge Systems

Comments: For items with existing CRN numbers, see attached sheet for pressure ratings. Total internal volume is well under 1.5 cu. ft.

Item	CRN / Test Data / Exclusions
1	OC12577.5C
2	See 5534104 burst test data attached
3	OH5216.5R1
4	See 5022001 and 5022002 burst test data attached



Sketch:

Note:

Test results reflect testing of the highest rated inlet and outlet pressures of the entire series - testing the components with the thinnest wall thickness and weakest materials (worst case items in the design). All models in scope have same geometry, same materials of construction, same or lower pressure ratings, and the same temperature ratings as the tested items.

CONCOA CRN Testing Summary Sheet

Package 4 - Type H
628

Scope:

628 Manifold Compressed Gas Systems (pigtailes on some models shall require a separate valid CRN - Items 4 from sketch below is excluded from this listing)

Comments:

For items with existing CRN numbers, see attached sheet for pressure ratings. Total internal volume is well under 1.5 cu. ft.

Item	CRN / Test Data / Exclusions
1	See 8291849 burst test data attached
2	6" extension - See 8291851 burst test data attached
3	12" extension - See 8291847 burst test data attached
4	Excluded from this listing

~~0000~~

SAFETY CODES ACT - PROVINCE OF ALBERTA

REGISTRATION OF FITTINGS

REGISTRATION NO. **0H1580652**

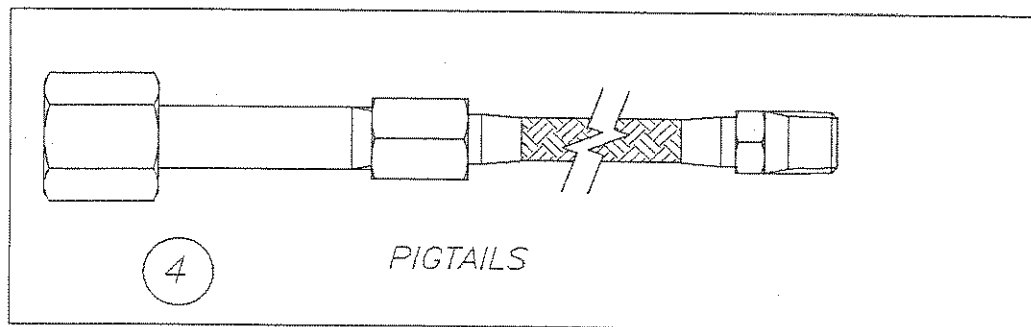
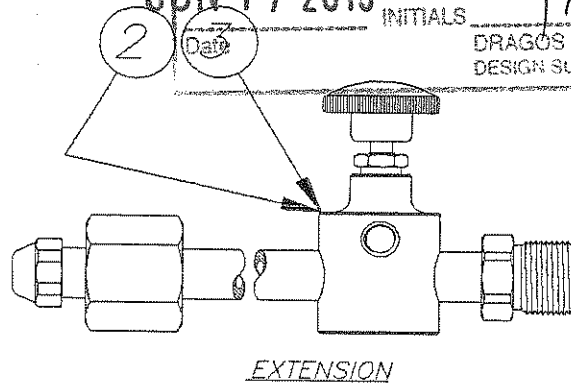
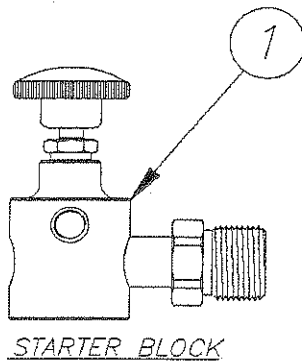
DWG. NO. or CAT. NO. max 3000 psi

TYPE OF FITTINGS @ -46°/140°F

JUN 17 2013 INITIALS Prede

DRAGOS PREDA, P.Eng.
DESIGN SURVEY ENGINEER

Sketch:



Note:

Test results reflect testing of the highest rated inlet and outlet pressures of the entire series - testing the components with the thinnest wall thickness and weakest materials (worst case items in the design). All models in scope have same geometry, same materials of construction, same or lower pressure ratings, and the same temperature ratings as the tested items.

CONCOA CRN Testing Summary Sheet

Package 5 - Type H
631/633

Scope:

631/633 Series Compressed Gas Systems (manifolds on some models shall require a separate valid CRN - Items 8,9 and 10 from sketch below are excluded from this listing)

Comments:

For items with existing CRN numbers, see attached sheet for pressure ratings. Total internal volume is well under 1.5 cu. ft.

Item	CRN / Test Data / Exclusions
1	OF11809.2
2	OH7770.5R1
3	See 8306499 burst test attached
4	CRN OA4093.2
5	See 8291839 burst test attached
6	See 8291840 burst test attached
7	See 8306498 burst test attached
8	Excluded from this listing
9	Excluded from this listing
10	Excluded from this listing

SAFETY CODES ACT - PROVINCE OF ALBERTA
REGISTRATION OF FITTINGS

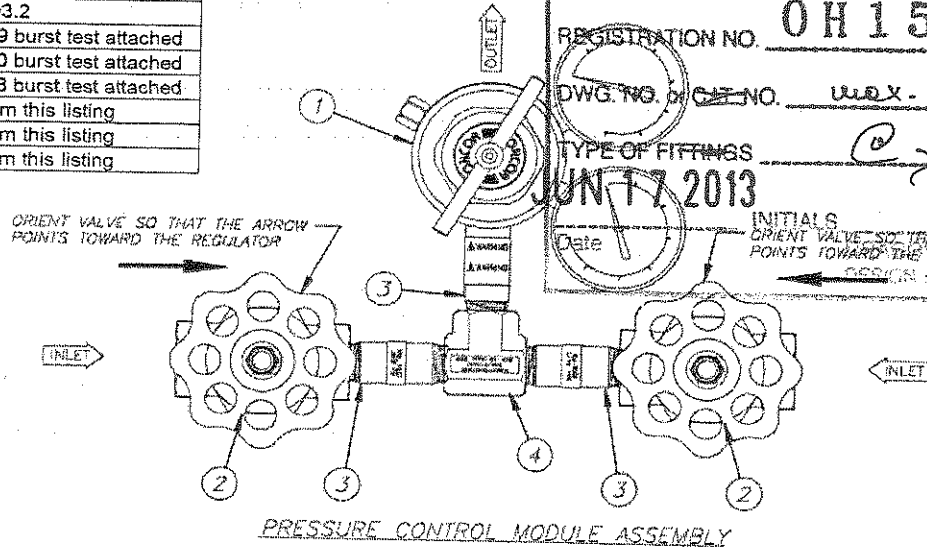
REGISTRATION NO. **OH 1580652**

DWG. NO. OF SET NO. **max. 3000 psi**

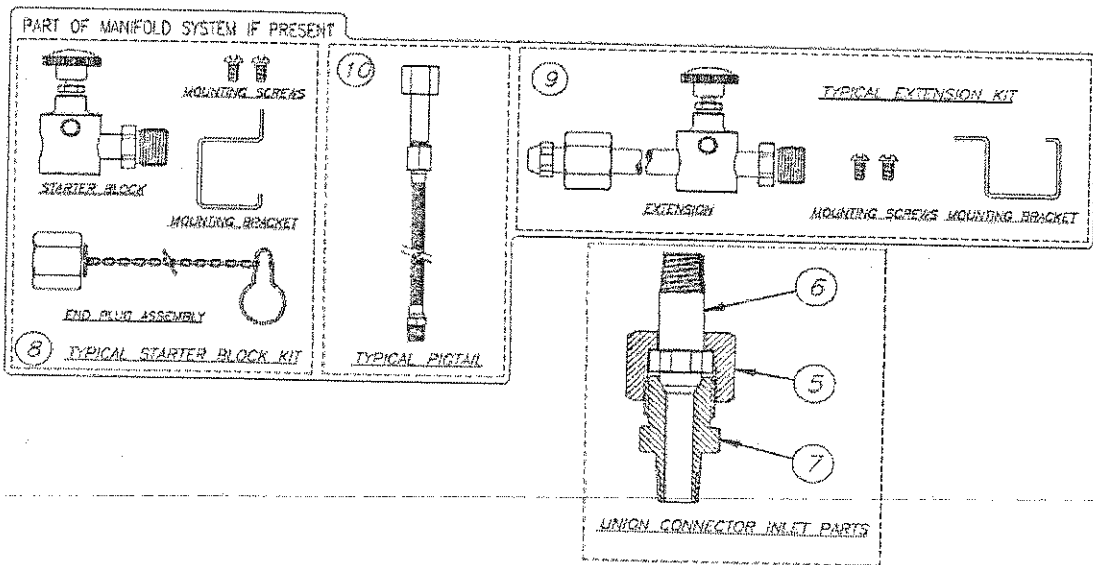
TYPE OF FITTINGS **@ - 40°/140° F**

JUN 17 2013

INITIALS **Prado**
ORIENT VALVE SO THAT THE ARROW POINTS TOWARD THE REGULATOR
DESIGN SURVEY ENGINEER



Sketch:



Note:

Test results reflect testing of the highest rated inlet and outlet pressures of the entire series - testing the components with the thinnest wall thickness and weakest materials (worst case items in the design). All models in scope have same geometry, same materials of construction, same or lower pressure ratings, and the same temperature ratings as the tested items.

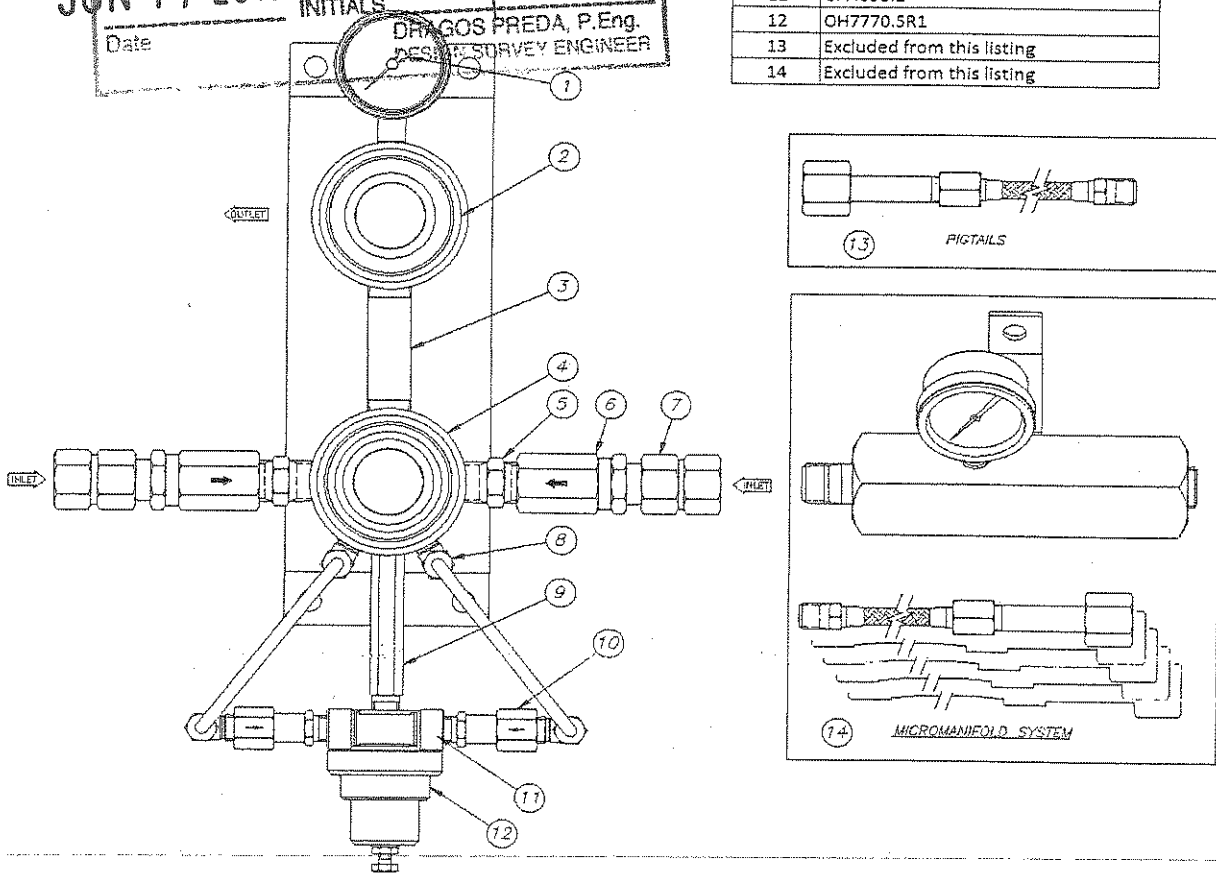
Scope: 632 Series Compressed Gas Systems (manifolds and pigtails on some models shall require a separate valid CRN - Items 13 and 14 from sketch below are excluded from this listing)

Comments: For items with existing CRN numbers, see attached sheet for pressure ratings. Total internal volume is well under 5 cu. ft.

SAFETY CODES ACT - PROVINCE OF ALBERTA
REGISTRATION OF FITTINGS
 REGISTRATION NO. **OH 1580652**
 DWG. NO. or CAT. NO. **max 4,500 psi**
 TYPE OF FITTINGS **@ -40°/140°F**
JUN 17 2013
 Date
 INITIALS **Prede**
DRAGOS PREDA, P.Eng.
 DESIGN SURVEY ENGINEER

Item	CRN / Test Data / Exclusions
1	OF8241.5 or OF2026.2
2	OF11809.2
3	See 8306230 burst test attached
4	See 632 Switch Reg burst test attached
5	See 8306499 burst test attached
6	OA12577.5C or OA4093.2
7	OA12577.5C
8	OA12577.5C, OA4093.2 or OA9866.5
9	OA12577.5C, OA4093.2 or OA9866.5
10	OA12577.5C
11	OA4093.2
12	OH7770.5R1
13	Excluded from this listing
14	Excluded from this listing

Sketch:



Note:

Test results reflect testing of the highest rated inlet and outlet pressures of the entire series - testing the components with the thinnest wall thickness and weakest materials (worst case items in the design). All models in scope have same geometry, same materials of construction, same or lower pressure ratings, and the same temperature ratings as the tested items.

CONCOA CRN Testing Summary Sheet

Package 8 - Type H
52B, 52C, 52S

Scope: 52B, 52C and 52S Manifold Compressed Gas Systems (pigtails on some models shall require a separate valid CRN - Items 4 from sketch below is excluded from this listing)

Comments: For items with existing CRN numbers, see attached sheet for pressure ratings. Total internal volume is well under 1.5 cu. ft.

Item	CRN / Test Data / Exclusions
1	OH5216.5R1
2	6" brass - See 8292007 burst test attached
2	6" stainless - See 8294007 burst test attached
2	12" brass - See 8292008 burst test attached
2	12" stainless - See 8294008 burst test attached
3	OH5216.5R1
4	Excluded from this listing

ASCA

SAFETY CODES ACT - PROVINCE OF ALBERTA

REGISTRATION OF FITTINGS

REGISTRATION NO. OH15806.52

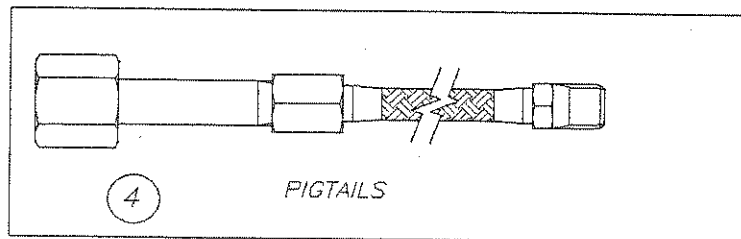
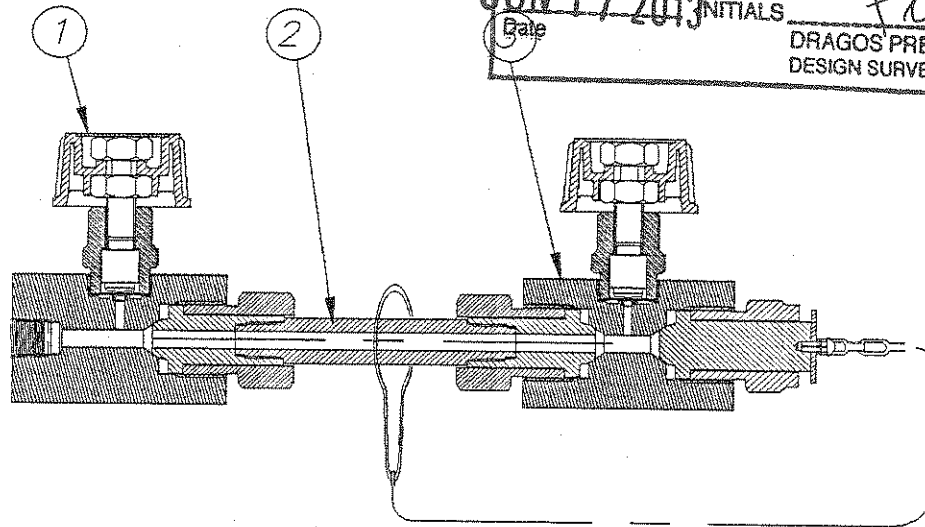
DWG. NO. or GAT. NO. 3000 psi

TYPE OF FITTINGS @ -40°/140°F

JUN 17 2013 INITIALS Preda

DRAGOS PREDA, P.Eng.
DESIGN SURVEY ENGINEER

Sketch:



Note:

Test results reflect testing of the highest rated inlet and outlet pressures of the entire series - testing the components with the thinnest wall thickness and weakest materials (worst case items in the design). All models in scope have same geometry, same materials of construction, same or lower pressure ratings, and the same temperature ratings as the tested items.

CONCOA CRN Testing Summary Sheet

Package 7 - Type H
629

Scope: 629 Series Micro Manifold Compressed Gas Systems

Comments: For items with existing CRN numbers, see attached sheet for pressure ratings. Total internal volume is well under 1.5 cu. ft.

Item	CRN / Test Data / Exclusions
1	Excluded from this listing
2	See 8350080 burst test data attached
3	See 8309746 burst test data attached
4	Excluded from this listing
5	Excluded from this listing

~~1577~~

SAFETY CODES ACT - PROVINCE OF ALBERTA
REGISTRATION OF FITTINGS

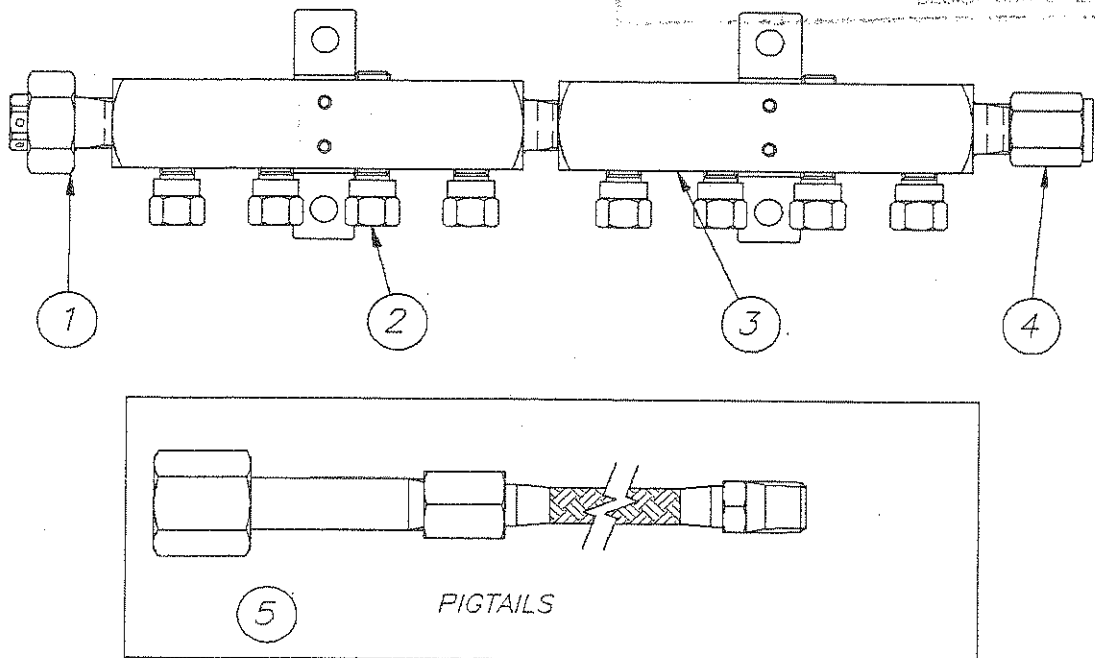
REGISTRATION NO. 0H1580652

DWG. NO. or CAT. NO. max 4500 psi

TYPE OF FITTINGS @ -320°/165° F

JUN 17 2013 INITIALS Preda
Date DRAGOS PREDA, P.Eng.
DESIGN SURVEY ENGINEER

Sketch:



Note:

Test results reflect testing of the highest rated inlet and outlet pressures of the entire series - testing the components with the thinnest wall thickness and weakest materials (worst case items in the design). All models in scope have same geometry, same materials of construction, same or lower pressure ratings, and the same temperature ratings as the tested items.

CONCOA CRN Testing Summary Sheet

Package 9 - Type H
526/527/620

Scope: 526/527/620 Series Compressed Gas Systems (manifold connectors and pigtails on some models shall require a separate valid CRN - Items 6 and 7 from sketch below are excluded from this listing)

Comments: For items with existing CRN numbers, see attached sheet for pressure ratings. Total internal volume is well under 1.5 cu. ft.

SAFETY CODES ACT - PROVINCE OF ALBERTA

REGISTRATION OF FITTINGS

REGISTRATION NO. **OH15306.5 2**

~~DWG. NO. or CAT. NO.~~ **max. 6000 psi @**

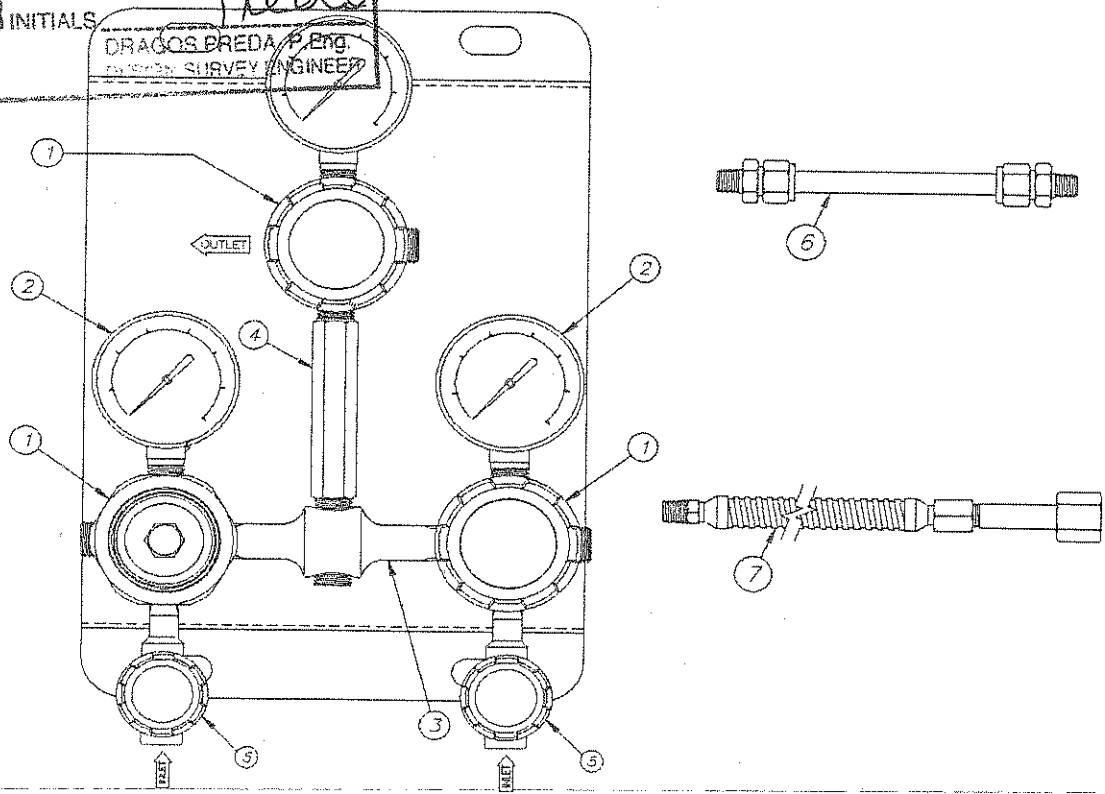
TYPE OF FITTINGS **-40°/140°**

JUN 17 2013 INITIALS **Prelo**

Date **DRAGOS PREDAI, P. ENG.**
REGISTERED SURVEY ENGINEER

Item	CRN / Test Data / Exclusions
1	OH5216.5R1
2	OF2026.2 or OF8241.5
3	See 8307641 and 8307643 burst tests attached
4	See 8308014 and 8308015 burst tests attached
5	OH5216.5R1
6	Excluded from this listing
7	Excluded from this listing

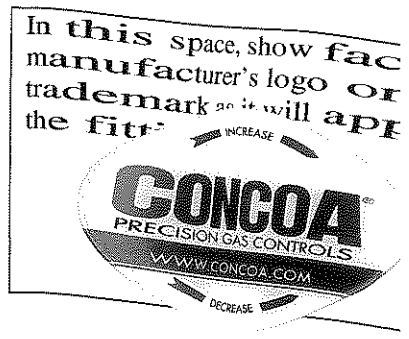
Sketch:



Note: Test results reflect testing of the highest rated inlet and outlet pressures of the entire series - testing the components with the thinnest wall thickness and weakest materials (worst case items in the design). All models in scope have same geometry, same materials of construction, same or lower pressure ratings, and the same temperature ratings as the tested items.



STATUTORY DECLARATION
Registration of Fittings



I, John Friedrichs,
Engineer II
(company title, e.g. vice president, plant manager, chief engineer) (must be in a position of authority)
of Controls Corporation of America
(name of manufacturer)

located at 1501 Harpers Road, Virginia Beach, VA 23454 USA
(plant address)

do solemnly declare that the fittings listed hereunder, which are subject to the Safety Codes Act (check one)

- comply with the requirements of _____ which specifies the dimensions, materials of construction, pressure/temperature ratings and identification marking of the fittings, or
- are not covered by the provisions of a recognized North American standard and are therefore manufactured to comply with 4x max pressure burst test as supported by the attached data which identifies the dimensions, materials of construction, pressure/temperature ratings and the basis for such ratings, and the marking of the fittings for identification.

I further declare that the manufacture of these fittings is controlled by a quality control program which has been verified by the following authority, Intertek Services Corporation as being suitable for the manufacture of these fittings to the stated standard. The fittings covered by this declaration, for which I seek registration, are ISO 9001

In support of this application, the following information, calculations and/or test data are attached:
Catalog pages, Drawings, Excel Spreadsheets, and burst test data

DECLARED before me at VIRGINIA BEACH in the STATE of VIRGINIA

this 1 day of FEB, 2013
(Month) (Year)

(print) MICHAEL IRVING

(Signature of Applicant)

(sign) _____
(A Commissioner for Oaths) 31 MAY 2014 EXPI #7015528

For Office Use Only

To the best of my knowledge and belief, the application meets the requirements of the Safety Codes Act and CSA Standard B51, Clause 4.2, and is accepted for registration in Category _____

Registration Number: _____

Date Registered: _____

(For the Administrator/Chief Inspector of Alberta)
Expiry Date: _____



14th Floor, Centre Tower
3300 Bloor Street West
Toronto, Ontario
Canada M8X 2X4
Tel.: 416.734.3300
Fax: 416.231.1626
Toll Free: 1.877.682.8772

www.tssa.org

October 25, 2013

JOHN FRIEDRICHS
CONTROLS CORPORATION OF AMERICA
1501 HARPERS RD
VIRGINIA BEACH VA 23454
US

Service Request Type.: BPV-National ACI Central
Service Request No.: 1068762
Your Reference No.: DISTRIBUTION SYSTEMS - PHASE 1- CAT H FITTING
Registered to.: CONTROLS CORPORATION OF AMERICA

Dear JOHN FRIEDRICHS,

Please find enclosed the original response from PEI,NS,NB,NFLD,YK,NFLD,NWT,NU, registered under the CRN No.: 0H15806.59870YTN.

As all jurisdictional fees are handled by the Technical Standards and Safety Authority (TSSA), you do not pay any jurisdictions directly.

Should you have any questions or require further assistance, I will be happy to assist you. For general enquiries, please contact a Customer Service Advisor at 1.877.682.TSSA (8772) or e-mail customerservices@tssa.org. When contacting TSSA regarding this file, please refer to the Service Request number provided above.

Yours truly,

Tanya Francis
Administrative Assistant_ BPV Engineering
Tel.: 416-734-3423
Fax: 416-231-6183
Email: tfrancis@tssa.org


UNIFORM STATUTORY DECLARATION FORM FOR THE REGISTRATION OF FITTING DESIGNS

NEW BRUNSWICK
NUNAVUT

NOVA SCOTIA
YUKON

PRINCE EDWARD ISLAND
NORTHWEST TERRITORIES

NEWFOUNDLAND AND LABRADOR

MANUFACTURERS NAME: Controls Corporation of America	
MANUFACTURERS ADDRESS: 1501 Harpers Road, Virginia Beach, VA 23454	
PLANT LOCATIONS: U.S.A.	
CATEGORY OF FITTINGS TO BE REGISTERED, CIRCLE ONE CATEGORY ONLY	
<p>A Pipe fittings, including couplings, tees, elbows, Ys, plugs, unions, pipe caps, or reducers</p> <p>B Flanges: all flanges</p> <p>C Valves: all line valves</p> <p>D Expansion joints, flexible connections, and hose assemblies: all types</p> <p>E Strainers, filters, separators, and steam traps</p> <p>F Measuring devices, including pressure gauges, level gauges, sight glasses, levels, or pressure transmitters</p> <p>G Certified capacity-rated pressure relief devices acceptable as primary over pressure protection on boilers, pressure vessels, piping and fusible plugs</p> <p><input checked="" type="radio"/> H Pressure retaining components that do not fall into one of the above categories</p> <p>N N/A</p> <p>Notes: Class 1 <input type="checkbox"/> Class 2 <input type="checkbox"/> Class 3 <input type="checkbox"/>. (Meeting CNSC or ASME requirements)</p>	<p>TITLE OF THE STANDARD OF CONSTRUCTION</p> <p>Proof test 4x max design pressure</p>
<p>SPONSOR'S NAME, TRADEMARK OR LOGO AS IT WILL APPEAR ON THE PRODUCT</p> 	<p>TYPE OF CONSTRUCTION</p> <p>FORGED <input type="checkbox"/> WELDED <input type="checkbox"/> WROUGHT <input type="checkbox"/></p> <p>CAST <input type="checkbox"/> OTHER <input type="checkbox"/></p> <p>DESCRIBE OTHER:</p>
<p>LIST OF SUPPORTING DOCUMENTATION AND IDENTIFICATION OF THE ACTUAL ITEMS TO BE REGISTERED:</p> <p>Drawings, Catalogs, Excel Spreadsheets, and burst test reports</p>	

DECLARATION:

I, John Friedrichs (see note 3) employed by Controls Corp. of America and being the person having full authority and responsibility for the quality of the end product do solemnly declare that the information contained in this form is true and to the best of my knowledge represents the product for which registration is sought. The dimensions, materials of construction, pressure temperature ratings, and identification markings are in accordance with the herein named standards. I further declare that the manufacture of these fittings is regulated by a Quality Control Program which extends to each plant where fabrication occurs in whole or in part and has been verified by Intertek Services Corporation as being suitable for that purpose and I make this solemn declaration conscientiously believing it to be true, and knowing that it is of the same force and effect as if made under oath.

Signature of Declarer: [Signature]

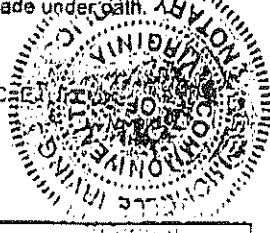
Declared before me at VIRGINIA BEACH, VA

This 1 day of FEB AD 2013

Commissioner of Oaths or Notary Public: (sign) [Signature]

311A-7264 EXP # 161528

USE THIS SPACE FOR OFFICIAL



This space for Regulatory Authority use

This registration must be revalidated after ten (10) years from the date of acceptance.

CRN: OH15806.5

FID#: 614

Notes:

- All fittings shall be registered in the name of the Manufacturer.
- Each category shall be supported with two Statutory Declaration forms and one copy of supporting documentation.
- The declaration shall be made by the person having full authority and responsibility for the quality of the end product.
- Quality control programs shall be resubmitted for validation at a maximum interval of five (5) years.

ACCEPTED
 PROVINCE OF PRINCE EDWARD ISLAND
 ENVIRONMENT, LABOUR & JUSTICE
 C.R.N. OH15806.59
 DATE: August 13
INSPECTION SERVICES SECTION
BOILER/PRESSURE VESSEL BRANCH
 Sect. 1.0 - Fittings Rev. 1 05/2003


UNIFORM STATUTORY DECLARATION FORM FOR THE REGISTRATION OF FITTING DESIGNS

NEW BRUNSWICK
NUNAVUT

NOVA SCOTIA
YUKON

PRINCE EDWARD ISLAND
NORTHWEST TERRITORIES

NEWFOUNDLAND AND LABRADOR

MANUFACTURERS NAME: Controls Corporation of America	
MANUFACTURERS ADDRESS: 1501 Harpers Road, Virginia Beach, VA 23454	
PLANT LOCATIONS: U.S.A.	
CATEGORY OF FITTINGS TO BE REGISTERED. CIRCLE ONE CATEGORY ONLY. A Pipe fittings, including couplings, tees, elbows, Ys, plugs, unions, pipe caps, or reducers B Flanges: all flanges C Valves: all line valves D Expansion joints, flexible connections, and hose assemblies: all types E Strainers, filters, separators, and steam traps F Measuring devices, including pressure gauges, level gauges, sight glasses, levels, or pressure transmitters G Certified capacity-rated pressure relief devices acceptable as primary over pressure protection on boilers, pressure vessels, piping and fusible plugs <input checked="" type="checkbox"/> H Pressure retaining components that do not fall into one of the above categories N Non-pressure parts: Class 1 <input type="checkbox"/> Class 2 <input type="checkbox"/> Class 3 <input type="checkbox"/> (Meeting CNSC or ASME requirements)	
TITLE OF THE STANDARD OF CONSTRUCTION Proof test 4x max design pressure	
 CONCOA PRECISION TECHNOLOGICAL CONTROLS WWW.CONCOA.COM	TYPE OF CONSTRUCTION FORGED <input type="checkbox"/> WELDED <input type="checkbox"/> WROUGHT <input type="checkbox"/> CAST <input type="checkbox"/> OTHER <input type="checkbox"/> DESCRIBE OTHER:
BRAND NAME, TRADEMARK, OR LOGO AS IT WILL APPEAR ON THE PRODUCT LIST OF SUPPORTING DOCUMENTATION AND IDENTIFICATION OF THE ACTUAL ITEMS TO BE REGISTERED: Drawings, Catalogs, Excel Spreadsheets, and burst test reports	

DECLARATION:

I, John Friedrichs (see note 3) employed by Controls Corp. of America and being the person having full authority and responsibility for the quality of the end product do solemnly declare that the information contained in this form is true and to the best of my knowledge represents the product for which registration is sought. The dimensions, materials of construction, pressure temperature ratings, and identification markings are in accordance with the herein named standards. I further declare that the manufacture of these fittings is regulated by a Quality Control Program which extends to each plant where fabrication occurs in whole or in part and has been verified by Intertek Services Corporation as being suitable for that purpose and I make this solemn declaration conscientiously believing it to be true, and knowing that it is of the same force and effect as if made under oath.

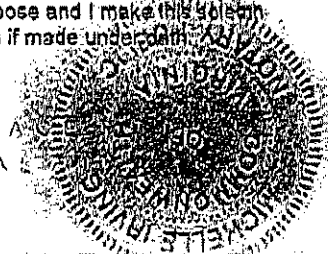
Signature of Declarer: [Signature]

Declared before me at VIRGINIA BEACH, VA

This 1 day of FEB AD 2013

Commissioner of Oaths or Notary Public: (sign) [Signature]
3/11/2014 1211520

USE THIS SPACE FOR OFFICIAL USE

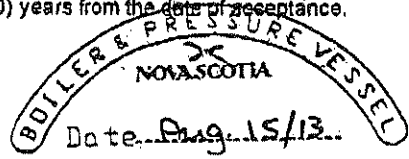


This space for Regulatory Authority use

This registration must be revalidated after ten (10) years from the date of acceptance.

CRN: OH15806.5

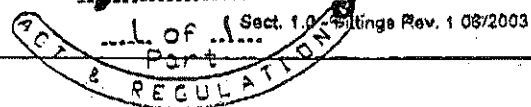
FID#: 614



C.R.N. OH15806.58

Dwg. as described

Signed Yvonne Perry



Notes:

1. All fittings shall be registered in the name of the Manufacturer.
2. Each category shall be supported with two Statutory Declaration forms and one copy of supporting documentation.
3. The declaration shall be made by the person having full authority and responsibility for the quality of the end product.
4. Quality control programs shall be resubmitted for validation at a maximum interval of five (5) years.


UNIFORM STATUTORY DECLARATION FORM FOR THE REGISTRATION OF FITTING DESIGNS

NEW BRUNSWICK
NUNAVUT

NOVA SCOTIA
YUKON

PRINCE EDWARD ISLAND
NORTHWEST TERRITORIES

NEWFOUNDLAND AND LABRADOR

MANUFACTURERS NAME: Controls Corporation of America	
MANUFACTURERS ADDRESS: 1501 Harpers Road, Virginia Beach, VA 23454	
PLANT LOCATIONS: U.S.A.	
<p align="center">CATEGORY OF FITTINGS TO BE REGISTERED. CIRCLE ONE CATEGORY ONLY</p> <p>A Pipe fittings, including couplings, tees, elbows, Ys, plugs, unions, pipe caps, or reducers B Flanges: all flanges C Valves: all line valves D Expansion joints, flexible connections, and hose assemblies: all types E Strainers, filters, separators, and steam traps F Measuring devices, including pressure gauges, level gauges, sight glasses, levels, or pressure transmitters G Certified capacity-rated pressure relief devices acceptable as primary over pressure protection on boilers, pressure vessels, piping and fusible plugs <input checked="" type="radio"/> H Pressure retaining components that do not fall into one of the above categories</p> <p>N N° <input type="checkbox"/> INCREASE <input type="checkbox"/> DECREASE ents: Class 1 <input type="checkbox"/> Class 2 <input type="checkbox"/> Class 3 <input type="checkbox"/>, (Meeting CNSC or ASME requirements)</p>	<p>TITLE OF THE STANDARD OF CONSTRUCTION Proof test 4x max design pressure</p>
<p>SI  MANUFACTURERS NAME, TRADEMARK, OR LOGO AS IT WILL APPEAR ON THE PRODUCT</p>	<p>TYPE OF CONSTRUCTION FORGED <input type="checkbox"/> WELDED <input type="checkbox"/> WROUGHT <input type="checkbox"/> CAST <input type="checkbox"/> OTHER <input type="checkbox"/> DESCRIBE OTHER:</p>
<p>LIST OF SUPPORTING DOCUMENTATION AND IDENTIFICATION OF THE ACTUAL ITEMS TO BE REGISTERED: Drawings, Catalogs, Excel Spreadsheets, and burst test reports</p>	

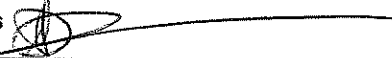
DECLARATION:

I, John Friedrichs (see note 3) employed by Controls Corp. of America and being the person having full authority and responsibility for the quality of the end product do solemnly declare that the information contained in this form is true and to the best of my knowledge represents the product for which registration is sought. The dimensions, materials of construction, pressure temperature ratings, and identification markings are in accordance with the herein named standards. I further declare that the manufacture of these fittings is regulated by a Quality Control Program which extends to each plant where fabrication occurs in whole or in part and has been verified by Intertek Services Corporation as being suitable for that purpose and I make this solemn declaration conscientiously believing it to be true, and knowing that it is of the same force and effect as if made under oath.

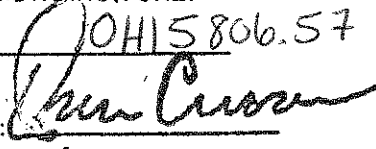
Signature of Declarer: 

Declared before me at VIRGINIA BEACH, VA

This 1 day of FEB AD 2013

Commissioner of Oaths or Notary Public: (sign) 
31 MAY 2014 EXP # 1015528



This space for Regulatory Authority use This registration must be revalidated after ten (10) years from the date of registration.	
CRN: <u>OH15806.5</u> FID#: <u>614</u>	CRN: <u>OH15806.57</u> EXAMINER: <u></u> for CHIEF BOILER INSPECTOR DATE: <u>8/15/2013</u>
<p>Notes:</p> <ol style="list-style-type: none"> All fittings shall be registered in the name of the Manufacturer. Each category shall be supported with two Statutory Declaration forms and one copy of supporting documentation. The declaration shall be made by the person having full authority and responsibility for the quality of the end product. Quality control programs shall be resubmitted for validation at a maximum interval of five (5) years. 	<p><input type="checkbox"/> BLRs <input type="checkbox"/> PVs <input checked="" type="checkbox"/> FITTINGS <input type="checkbox"/> COMPONENTS</p> <p align="right">Rev. 1 06/2003</p>


UNIFORM STATUTORY DECLARATION FORM FOR THE REGISTRATION OF FITTING DESIGNS

NEW BRUNSWICK
NUNAVUT

NOVA SCOTIA
YUKON

PRINCE EDWARD ISLAND
NORTHWEST TERRITORIES

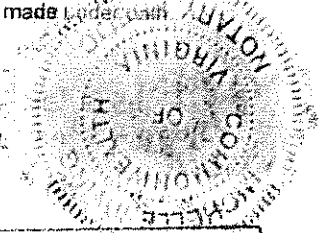
NEWFOUNDLAND AND LABRADOR

MANUFACTURERS NAME: Controls Corporation of America	
MANUFACTURERS ADDRESS: 1501 Harpers Road, Virginia Beach, VA 23454	
PLANT LOCATIONS: U.S.A.	
<p align="center">CATEGORY OF FITTINGS TO BE REGISTERED. CIRCLE ONE CATEGORY ONLY</p> <p>A Pipe fittings, including couplings, tees, elbows, Ys, plugs, unions, pipe caps, or reducers B Flanges: all flanges C Valves: all line valves D Expansion joints, flexible connections, and hose assemblies: all types E Strainers, filters, separators, and steam traps F Measuring devices, including pressure gauges, level gauges, sight glasses, levels, or pressure transmitters G Certified capacity-rated pressure relief devices acceptable as primary over pressure protection on boilers, pressure vessels, piping and fusible plugs <input checked="" type="radio"/> H Pressure retaining components that do not fall into one of the above categories N <input type="checkbox"/> Class 1 <input type="checkbox"/> Class 2 <input type="checkbox"/> Class 3. (Meeting CNSC or ASME requirements)</p>	<p align="center">TITLE OF THE STANDARD OF CONSTRUCTION</p> Proof test 4x max design pressure
<p align="center">MANUFACTURERS NAME, TRADEMARK, OR LOGO AS IT WILL APPEAR ON THE PRODUCT</p> 	<p align="center">TYPE OF CONSTRUCTION</p> FORGED <input type="checkbox"/> WELDED <input type="checkbox"/> WROUGHT <input type="checkbox"/> CAST <input type="checkbox"/> OTHER <input type="checkbox"/> DESCRIBE OTHER:
<p align="center">LIST OF SUPPORTING DOCUMENTATION AND IDENTIFICATION OF THE ACTUAL ITEMS TO BE REGISTERED:</p> Drawings, Catalogs, Excel Spreadsheets, and burst test reports	

DECLARATION:
 I, John Friedrichs (see note 3) employed by Controls Corp. of America and being the person having full authority and responsibility for the quality of the end product do solemnly declare that the information contained in this form is true and to the best of my knowledge represents the product for which registration is sought. The dimensions, materials of construction, pressure temperature ratings, and identification markings are in accordance with the herein named standards. I further declare that the manufacture of these fittings is regulated by a Quality Control Program which extends to each plant where fabrication occurs in whole or in part and has been verified by Intertek Services Corporation as being suitable for that purpose and I make this solemn declaration conscientiously believing it to be true, and knowing that it is of the same force and effect as if made under oath.

Signature of Declarer: [Signature]
 Declared before me at VIRGINIA BEACH, VA
 This 1 day of FEB AD 2013
 Commissioner of Oaths [Signature]
 or Notary Public: (sign) [Signature]
31 MAY 2014 EXP # 261522

USE THIS SPACE FOR OFFICIAL



This space for Regulatory Authority use
 This registration must be revalidated after ten (10) years from the date of acceptance.

CRN: OH15806.5
 FID#: 614

Notes:
 1. All fittings shall be registered in the name of the Manufacturer.
 2. Each category shall be supported with two Statutory Declaration forms and one copy of supporting documentation.
 3. The declaration shall be made by the person having full authority and responsibility for the quality of the end product.
 4. Quality control programs shall be resubmitted for validation at a maximum interval of five (5) years.

GOVERNMENT OF
 NEWFOUNDLAND
 AND LABRADOR
 Department of
 Government Services

Registered OH15806.50
 Date 04 SEP 2013

GOVERNMENT SERVICES CENTRE
 Engineering and Inspection Services

Registered by [Signature]
 UNDER THE AUTHORITY OF THE
 PUBLIC SAFETY ACT AND
 THE BOILER, PRESSURE VESSELS AND
 COMPRESSED GAS REGULATIONS


UNIFORM STATUTORY DECLARATION FORM FOR THE REGISTRATION OF FITTING DESIGNS

NEW BRUNSWICK
NUNAVUT

NOVA SCOTIA
YUKON

PRINCE EDWARD ISLAND
NORTHWEST TERRITORIES

NEWFOUNDLAND AND LABRADOR

MANUFACTURERS NAME: Controls Corporation of America	
MANUFACTURERS ADDRESS: 1501 Harpers Road, Virginia Beach, VA 23454	
PLANT LOCATIONS: U.S.A.	
<p>CATEGORY OF FITTINGS TO BE REGISTERED. CIRCLE ONE CATEGORY ONLY</p> <p>A Pipe fittings, including couplings, tees, elbows, Ys, plugs, unions, pipe caps, or reducers B Flanges: all flanges C Valves: all line valves D Expansion joints, flexible connections, and hose assemblies: all types E Strainers, filters, separators, and steam traps F Measuring devices, including pressure gauges, level gauges, sight glasses, levels, or pressure transmitters G Certified capacity-rated pressure relief devices acceptable as primary over pressure protection on boilers, pressure vessels, piping and fusible plugs <input checked="" type="radio"/> H Pressure retaining components that do not fall into one of the above categories</p> <p>N NPS Schedule 40s: Class 1 <input type="checkbox"/> Class 2 <input type="checkbox"/> Class 3 <input type="checkbox"/>. (Meeting CNSC or ASME requirements)</p>	<p>TITLE OF THE STANDARD OF CONSTRUCTION Proof test 4x max design pressure</p>
<p>SI MANUFACTURERS NAME, TRADEMARK, OR LOGO AS IT WILL APPEAR ON THE PRODUCT</p> 	<p>TYPE OF CONSTRUCTION</p> <p>FORGED <input type="checkbox"/> WELDED <input type="checkbox"/> WROUGHT <input type="checkbox"/> CAST <input type="checkbox"/> OTHER <input type="checkbox"/> DESCRIBE OTHER:</p>
<p>LIST OF SUPPORTING DOCUMENTATION AND IDENTIFICATION OF THE ACTUAL ITEMS TO BE REGISTERED: Drawings, Catalogs, Excel Spreadsheets, and burst test reports</p>	

DECLARATION:

I, John Friedrichs (see note 3) employed by Controls Corp. of America and being the person having full authority and responsibility for the quality of the end product do solemnly declare that the information contained in this form is true and to the best of my knowledge represents the product for which registration is sought. The dimensions, materials of construction, pressure temperature ratings, and identification markings are in accordance with the herein named standards. I further declare that the manufacture of these fittings is regulated by a Quality Control Program which extends to each plant where fabrication occurs in whole or in part and has been verified by Intertek Services Corporation as being suitable for that purpose and I make this solemn declaration conscientiously believing it to be true, and knowing that it is of the same force and effect as if made under oath.

Signature of Declarer: 

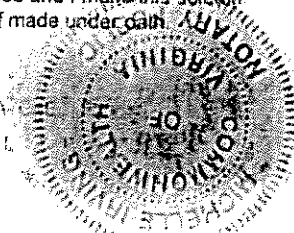
Declared before me at VIRGINIA BEACH, VA

This 1 day of FEB AD 2013

Commissioner of Oaths 

or Notary Public: (sign) 3111A72014 EX # 143528

USE THIS SPACE FOR OFFICIAL



This space for Regulatory Authority use


This registration must be revalidated after ten (10) years from the date of acceptance.

CRN: OH15806.5

FID#: 614

Notes:

- All fittings shall be registered in the name of the Manufacturer.
- Each category shall be supported with two Statutory Declaration forms and one copy of supporting documentation.
- The declaration shall be made by the person having full authority and responsibility for the quality of the end product.
- Quality control programs shall be resubmitted for validation at a maximum interval of five (5) years.



GOVERNMENT OF YUKON
 BY A
 CRN OH15806.5
 DATE 8/15/13
 BOILER'S BRANCH

Sect 1-03 Fittings Rev. 1 05/2003

UNIFORM STATUTORY DECLARATION FORM FOR THE REGISTRATION OF FITTING DESIGNS

NEW BRUNSWICK NOVA SCOTIA PRINCE EDWARD ISLAND NEWFOUNDLAND AND LABRADOR
NUNAVUT YUKON NORTHWEST TERRITORIES

MANUFACTURERS NAME: Controls Corporation of America

MANUFACTURERS ADDRESS: 1501 Harpers Road, Virginia Beach, VA 23454

PLANT LOCATIONS: U.S.A.

CATEGORY OF FITTINGS TO BE REGISTERED. CIRCLE ONE CATEGORY ONLY
A Pipe fittings, including couplings, tees, elbows, Ys, plugs, unions, pipe caps, or reducers
B Flanges: all flanges
C Valves: all line valves
D Expansion joints, flexible connections, and hose assemblies: all types
E Strainers, filters, separators, and steam traps
F Measuring devices, including pressure gauges, level gauges, sight glasses, levels, or pressure transmitters
G Certified capacity-rated pressure relief devices acceptable as primary over pressure protection on boilers, pressure vessels, piping and fusible plugs
H Pressure retaining components that do not fall into one of the above categories
N Nuts and bolts: Class 1 [] Class 2 [] Class 3 [] (Meeting CNSC or ASME requirements)

TITLE OF THE STANDARD OF CONSTRUCTION
Proof test 4x max design pressure

SI: CONCOA PRECISION CONTROLS www.concoa.com
REG NAME, TRADEMARK, OR LOGO AS IT WILL APPEAR ON THE PRODUCT
TYPE OF CONSTRUCTION
FORGED [] WELDED [] WROUGHT []
CAST [] OTHER []
DESCRIBE OTHER:

LIST OF SUPPORTING DOCUMENTATION AND IDENTIFICATION OF THE ACTUAL ITEMS TO BE REGISTERED:
Drawings, Catalogs, Excel Spreadsheets, and burst test reports

DECLARATION:

I John Friedrichs (100 0015 3) employed by Controls Corp. of America and being the person having full authority and responsibility for the quality of the end product do solemnly declare that the information contained in this form is true and to the best of my knowledge represents the product for which registration is sought. The dimensions, materials of construction, pressure temperature ratings, and identification markings are in accordance with the herein named standards. I further declare that the manufacture of these fittings is regulated by a Quality Control Program which extends to each plant where fabrication occurs in whole or in part and has been verified by Intertek Services Corporation as being suitable for that purpose and I make this solemn declaration conscientiously believing it to be true, and knowing that it is of the same force and effect as if made under oath.

Signature of Declarer: [Signature]

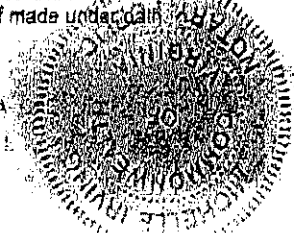
Declared before me at VIRGINIA BEACH, VA

This 1 day of FEB AD 2013

Commissioner of Oaths [Signature]

Notary Public: (sign) [Signature] # 705520

USE THIS SPACE FOR OFFICIAL STAMP



This space for Regulatory Authority use

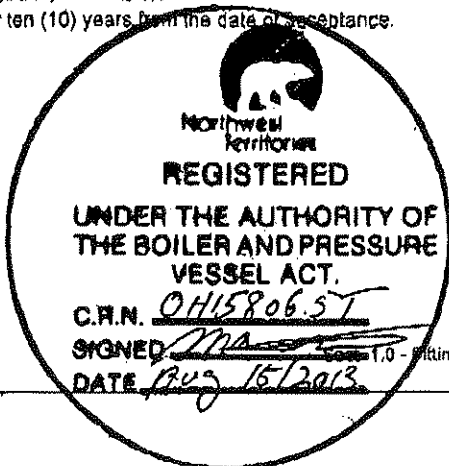
This registration must be revalidated after ten (10) years from the date of acceptance.

CRN: OH15806.5

FID#: 614

Notes:

- 1. All fittings shall be registered in the name of the Manufacturer.
2. Each category shall be supported with two Statutory Declaration forms and one copy of supporting documentation.
3. The declaration shall be made by the person having full authority and responsibility for the quality of the end product.
4. Quality control programs shall be resubmitted for validation at a maximum interval of five (5) years.



15800


UNIFORM STATUTORY DECLARATION FORM FOR THE REGISTRATION OF FITTING DESIGNS

NEW BRUNSWICK
NUNAVUT

NOVA SCOTIA
YUKON

PRINCE EDWARD ISLAND
NORTHWEST TERRITORIES

NEWFOUNDLAND AND LABRADOR

MANUFACTURERS NAME: Controls Corporation of America	
MANUFACTURERS ADDRESS: 1501 Harpers Road, Virginia Beach, VA 23464	
PLANT LOCATIONS: U.S.A.	
<p align="center">CATEGORY OF FITTINGS TO BE REGISTERED. CIRCLE ONE CATEGORY ONLY</p> <p>A Pipe fittings, including couplings, tees, elbows, Ys, plugs, unions, pipe caps, or reducers B Flanges: all flanges C Valves: all line valves D Expansion joints, flexible connections, and hose assemblies: all types E Strainers, filters, separators, and steam traps F Measuring devices, including pressure gauges, level gauges, sight glasses, levels, or pressure transmitters G Certified capacity-rated pressure relief devices acceptable as primary over pressure protection on boilers, pressure vessels, piping and flexible piping <input checked="" type="radio"/> H Pressure retaining components that do not fall into one of the above categories N Non-pressure components: Class 1 <input type="checkbox"/> Class 2 <input type="checkbox"/> Class 3 <input type="checkbox"/>. (Meeting CNSC or ASME requirements)</p>	<p>TITLE OF THE STANDARD OF CONSTRUCTION Proof test 4x max design pressure</p>
<p>SPONSOR'S NAME, TRADEMARK, OR LOGO AS IT WILL APPEAR ON THE PRODUCT</p> 	<p>TYPE OF CONSTRUCTION FORGED <input type="checkbox"/> WELDED <input type="checkbox"/> WROUGHT <input type="checkbox"/> CAST <input type="checkbox"/> OTHER <input type="checkbox"/> DESCRIBE OTHER:</p>
<p>LIST OF SUPPORTING DOCUMENTATION AND IDENTIFICATION OF THE ACTUAL ITEMS TO BE REGISTERED: Drawings, Catalogs, Excel Spreadsheets, and burst test reports</p>	

DECLARATION:

I, John Friedrichs (name now is) employed by Controls Corp. of America and being the person having full authority and responsibility for the quality of the end product do solemnly declare that the information contained in this form is true and to the best of my knowledge represents the product for which registration is sought. The dimensions, materials of construction, pressure temperature ratings, and identification markings are in accordance with the herein named standards. I further declare that the manufacture of these fittings is regulated by a Quality Control Program which extends to each plant where fabrication occurs in whole or in part and has been verified by Intertek Services Corporation as being suitable for that purpose and I make this solemn declaration conscientiously believing it to be true and knowing that it is of the same force and effect as if made under oath.

Signature of Declarer: 

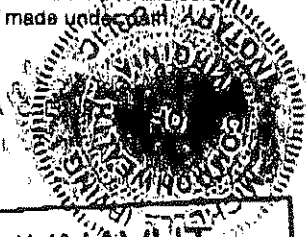
Declared before me at VIRGINIA BEACH, VA

This 1 day of FEB AD 2013

Commissioner of Oaths 

or Notary Public: (sign) 31 MAR 2014 EXP # 105524

USE THIS SPACE FOR OFFICIAL



This space for Regulatory Authority
 This registration must be revalidated after ten (10) years from the date of acceptance.

CRN: OH15806.5

FID#: 614

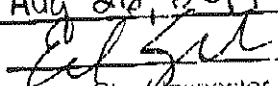
Notes:
 1. All fittings shall be registered in the name of the Manufacturer.
 2. Each category shall be supported with two Statutory Declaration forms and one copy of supporting documentation.
 3. The declaration shall be made by the person having full authority and responsibility for the quality of the end product.
 4. Quality control programs shall be resubmitted for validation at a maximum interval of five (5) years.

NUNAVUT
 Boilers and Pressure Vessels Act

REGISTERED

CRN OH15806.5N

Date Aug 26, 2013

Signed 
 Chief Inspector

Sept. 1.0 - Fittings Rev 1.06/2003

Territorial Registration Fee



14th Floor, Centre Tower
3300 Bloor Street West
Toronto, Ontario
Canada M8X 2X4
Tel.: 416.734.3300
Fax: 416.231.1626
Toll Free: 1.877.682.8772

www.tssa.org

October 25, 2013

JOHN FRIEDRICHS
CONTROLS CORPORATION OF AMERICA
1501 HARPERS RD
VIRGINIA BEACH VA 23454
US

Service Request Type.: BPV-National ACI Central
Service Request No.: 1068762
Your Reference No.: DISTRIBUTION SYSTEMS - PHASE 1- CAT H FITTING
Registered to.: CONTROLS CORPORATION OF AMERICA

Dear JOHN FRIEDRICHS,

Please find enclosed the original response from PEI,NS,NB,NFLD,YK,NFLD,NWT,NU, registered under the CRN No.: 0H15806.59870YTN.

As all jurisdictional fees are handled by the Technical Standards and Safety Authority (TSSA), you do not pay any jurisdictions directly.

Should you have any questions or require further assistance, I will be happy to assist you. For general enquiries, please contact a Customer Service Advisor at 1.877.682.TSSA (8772) or e-mail customerservices@tssa.org. When contacting TSSA regarding this file, please refer to the Service Request number provided above.

Yours truly,

Tanya Francis
Administrative Assistant_ BPV Engineering
Tel.: 416-734-3423
Fax: 416-231-6183
Email: tfrancis@tssa.org


UNIFORM STATUTORY DECLARATION FORM FOR THE REGISTRATION OF FITTING DESIGNS

NEW BRUNSWICK
NUNAVUT

NOVA SCOTIA
YUKON

PRINCE EDWARD ISLAND
NORTHWEST TERRITORIES

NEWFOUNDLAND AND LABRADOR

MANUFACTURERS NAME: Controls Corporation of America	
MANUFACTURERS ADDRESS: 1501 Harpers Road, Virginia Beach, VA 23454	
PLANT LOCATIONS: U.S.A.	
CATEGORY OF FITTINGS TO BE REGISTERED, CIRCLE ONE CATEGORY ONLY	
<p>A Pipe fittings, including couplings, tees, elbows, Ys, plugs, unions, pipe caps, or reducers</p> <p>B Flanges: all flanges</p> <p>C Valves: all line valves</p> <p>D Expansion joints, flexible connections, and hose assemblies: all types</p> <p>E Strainers, filters, separators, and steam traps</p> <p>F Measuring devices, including pressure gauges, level gauges, sight glasses, levels, or pressure transmitters</p> <p>G Certified capacity-rated pressure relief devices acceptable as primary over pressure protection on boilers, pressure vessels, piping and fusible plugs</p> <p><input checked="" type="radio"/> H Pressure retaining components that do not fall into one of the above categories</p> <p>N N/A</p> <p>Notes: Class 1 <input type="checkbox"/> Class 2 <input type="checkbox"/> Class 3 <input type="checkbox"/>. (Meeting CNSC or ASME requirements)</p>	<p>TITLE OF THE STANDARD OF CONSTRUCTION</p> <p>Proof test 4x max design pressure</p>
<p>SPONSOR'S NAME, TRADEMARK OR LOGO AS IT WILL APPEAR ON THE PRODUCT</p> 	<p>TYPE OF CONSTRUCTION</p> <p>FORGED <input type="checkbox"/> WELDED <input type="checkbox"/> WROUGHT <input type="checkbox"/></p> <p>CAST <input type="checkbox"/> OTHER <input type="checkbox"/></p> <p>DESCRIBE OTHER:</p>
<p>LIST OF SUPPORTING DOCUMENTATION AND IDENTIFICATION OF THE ACTUAL ITEMS TO BE REGISTERED:</p> <p>Drawings, Catalogs, Excel Spreadsheets, and burst test reports</p>	

DECLARATION:

I, John Friedrichs (see note 3) employed by Controls Corp. of America and being the person having full authority and responsibility for the quality of the end product do solemnly declare that the information contained in this form is true and to the best of my knowledge represents the product for which registration is sought. The dimensions, materials of construction, pressure temperature ratings, and identification markings are in accordance with the herein named standards. I further declare that the manufacture of these fittings is regulated by a Quality Control Program which extends to each plant where fabrication occurs in whole or in part and has been verified by Intertek Services Corporation as being suitable for that purpose and I make this solemn declaration conscientiously believing it to be true, and knowing that it is of the same force and effect as if made under oath.

Signature of Declarer: [Signature]

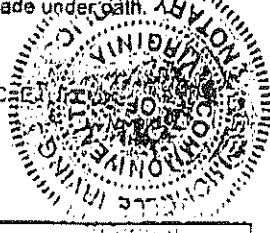
Declared before me at VIRGINIA BEACH, VA

This 1 day of FEB AD 2013

Commissioner of Oaths or Notary Public: (sign) [Signature]

311A-7264 EXP # 161528

USE THIS SPACE FOR OFFICIAL



This space for Regulatory Authority use

This registration must be revalidated after ten (10) years from the date of acceptance.

CRN: OH15806.5

FID#: 614

Notes:

- All fittings shall be registered in the name of the Manufacturer.
- Each category shall be supported with two Statutory Declaration forms and one copy of supporting documentation.
- The declaration shall be made by the person having full authority and responsibility for the quality of the end product.
- Quality control programs shall be resubmitted for validation at a maximum interval of five (5) years.

ACCEPTED
 PROVINCE OF PRINCE EDWARD ISLAND
 ENVIRONMENT, LABOUR & JUSTICE
 C.R.N. OH15806.59
 DATE: August 13
INSPECTION SERVICES SECTION
BOILER/PRESSURE VESSEL BRANCH
 Sect. 1.0 - Fittings Rev. 1 05/2003


UNIFORM STATUTORY DECLARATION FORM FOR THE REGISTRATION OF FITTING DESIGNS

NEW BRUNSWICK
NUNAVUT

NOVA SCOTIA
YUKON

PRINCE EDWARD ISLAND
NORTHWEST TERRITORIES

NEWFOUNDLAND AND LABRADOR

MANUFACTURERS NAME: Controls Corporation of America	
MANUFACTURERS ADDRESS: 1501 Harpers Road, Virginia Beach, VA 23454	
PLANT LOCATIONS: U.S.A.	
CATEGORY OF FITTINGS TO BE REGISTERED. CIRCLE ONE CATEGORY ONLY. A Pipe fittings, including couplings, tees, elbows, Ys, plugs, unions, pipe caps, or reducers B Flanges: all flanges C Valves: all line valves D Expansion joints, flexible connections, and hose assemblies: all types E Strainers, filters, separators, and steam traps F Measuring devices, including pressure gauges, level gauges, sight glasses, levels, or pressure transmitters G Certified capacity-rated pressure relief devices acceptable as primary over pressure protection on boilers, pressure vessels, piping and fusible plugs <input checked="" type="radio"/> H Pressure retaining components that do not fall into one of the above categories N Non-pressure parts: Class 1 <input type="checkbox"/> Class 2 <input type="checkbox"/> Class 3 <input type="checkbox"/> (Meeting CNSC or ASME requirements)	
TITLE OF THE STANDARD OF CONSTRUCTION Proof test 4x max design pressure	
 CONCOA PRECISION TECHNOLOGIES WWW.CONCOA.COM	TYPE OF CONSTRUCTION FORGED <input type="checkbox"/> WELDED <input type="checkbox"/> WROUGHT <input type="checkbox"/> CAST <input type="checkbox"/> OTHER <input type="checkbox"/> DESCRIBE OTHER:
BRAND NAME, TRADEMARK, OR LOGO AS IT WILL APPEAR ON THE PRODUCT LIST OF SUPPORTING DOCUMENTATION AND IDENTIFICATION OF THE ACTUAL ITEMS TO BE REGISTERED: Drawings, Catalogs, Excel Spreadsheets, and burst test reports	

DECLARATION:

I, John Friedrichs (see note 3) employed by Controls Corp. of America and being the person having full authority and responsibility for the quality of the end product do solemnly declare that the information contained in this form is true and to the best of my knowledge represents the product for which registration is sought. The dimensions, materials of construction, pressure temperature ratings, and identification markings are in accordance with the herein named standards. I further declare that the manufacture of these fittings is regulated by a Quality Control Program which extends to each plant where fabrication occurs in whole or in part and has been verified by Intertek Services Corporation as being suitable for that purpose and I make this solemn declaration conscientiously believing it to be true, and knowing that it is of the same force and effect as if made under oath.

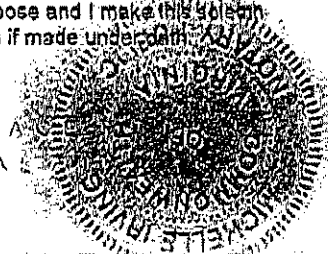
Signature of Declarer: [Signature]

Declared before me at VIRGINIA BEACH, VA

This 1 day of FEB AD 2013

Commissioner of Oaths
or Notary Public: (sign) [Signature]
3/11/2014 121520

USE THIS SPACE FOR OFFICIAL USE

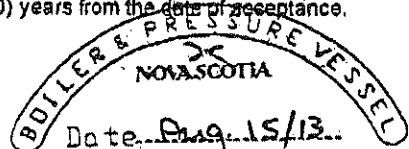


This space for Regulatory Authority use

This registration must be revalidated after ten (10) years from the date of acceptance.

CRN: OH15806.5

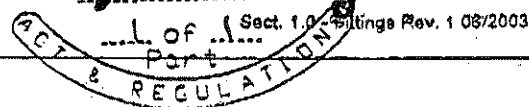
FID#: 614



C.R.N. OH15806.58

Dwg. as described

Signed Yvonne Perry



Notes:

- All fittings shall be registered in the name of the Manufacturer.
- Each category shall be supported with two Statutory Declaration forms and one copy of supporting documentation.
- The declaration shall be made by the person having full authority and responsibility for the quality of the end product.
- Quality control programs shall be resubmitted for validation at a maximum interval of five (5) years.


UNIFORM STATUTORY DECLARATION FORM FOR THE REGISTRATION OF FITTING DESIGNS

NEW BRUNSWICK
NUNAVUT

NOVA SCOTIA
YUKON

PRINCE EDWARD ISLAND
NORTHWEST TERRITORIES

NEWFOUNDLAND AND LABRADOR

MANUFACTURERS NAME: Controls Corporation of America	
MANUFACTURERS ADDRESS: 1501 Harpers Road, Virginia Beach, VA 23454	
PLANT LOCATIONS: U.S.A.	
<p align="center">CATEGORY OF FITTINGS TO BE REGISTERED. CIRCLE ONE CATEGORY ONLY</p> <p>A Pipe fittings, including couplings, tees, elbows, Ys, plugs, unions, pipe caps, or reducers B Flanges: all flanges C Valves: all line valves D Expansion joints, flexible connections, and hose assemblies: all types E Strainers, filters, separators, and steam traps F Measuring devices, including pressure gauges, level gauges, sight glasses, levels, or pressure transmitters G Certified capacity-rated pressure relief devices acceptable as primary over pressure protection on boilers, pressure vessels, piping and fusible plugs <input checked="" type="radio"/> H Pressure retaining components that do not fall into one of the above categories</p> <p>N N° <input type="checkbox"/> INCREASE <input type="checkbox"/> DECREASE <input type="checkbox"/> Class 1 <input type="checkbox"/> Class 2 <input type="checkbox"/> Class 3 <input type="checkbox"/>, (Meeting CNSC or ASME requirements)</p>	<p>TITLE OF THE STANDARD OF CONSTRUCTION Proof test 4x max design pressure</p>
<p>SI  CONCOA PRECISION GAS CONTROLS WWW.CONCOA.COM</p>	<p>MANUFACTURERS NAME, TRADEMARK, OR LOGO AS IT WILL APPEAR ON THE PRODUCT</p>
<p>TYPE OF CONSTRUCTION FORGED <input type="checkbox"/> WELDED <input type="checkbox"/> WROUGHT <input type="checkbox"/> CAST <input type="checkbox"/> OTHER <input type="checkbox"/> DESCRIBE OTHER:</p>	
<p>LIST OF SUPPORTING DOCUMENTATION AND IDENTIFICATION OF THE ACTUAL ITEMS TO BE REGISTERED: Drawings, Catalogs, Excel Spreadsheets, and burst test reports</p>	

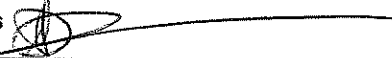
DECLARATION:

I, John Friedrichs (see note 3) employed by Controls Corp. of America and being the person having full authority and responsibility for the quality of the end product do solemnly declare that the information contained in this form is true and to the best of my knowledge represents the product for which registration is sought. The dimensions, materials of construction, pressure temperature ratings, and identification markings are in accordance with the herein named standards. I further declare that the manufacture of these fittings is regulated by a Quality Control Program which extends to each plant where fabrication occurs in whole or in part and has been verified by Intertek Services Corporation as being suitable for that purpose and I make this solemn declaration conscientiously believing it to be true, and knowing that it is of the same force and effect as if made under oath.

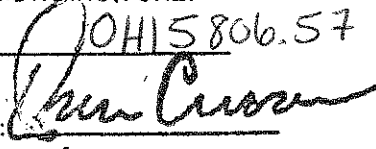
Signature of Declarer: 

Declared before me at VIRGINIA BEACH, VA

This 1 day of FEB AD 2013

Commissioner of Oaths or Notary Public: (sign) 
31 MAY 2014 EXP # 1015528



This space for Regulatory Authority use This registration must be revalidated after ten (10) years from the date of registration.	
CRN: <u>OH15806.5</u> FID#: <u>614</u>	CRN: <u>OH15806.57</u> EXAMINER: <u></u> for CHIEF BOILER INSPECTOR DATE: <u>8/15/2013</u>
Notes: 1. All fittings shall be registered in the name of the Manufacturer. 2. Each category shall be supported with two Statutory Declaration forms and one copy of supporting documentation. 3. The declaration shall be made by the person having full authority and responsibility for the quality of the end product. 4. Quality control programs shall be resubmitted for validation at a maximum interval of five (5) years.	<input type="checkbox"/> BLRs <input type="checkbox"/> PVs <input checked="" type="checkbox"/> FITTINGS <input type="checkbox"/> COMPONENTS


UNIFORM STATUTORY DECLARATION FORM FOR THE REGISTRATION OF FITTING DESIGNS

NEW BRUNSWICK
NUNAVUT

NOVA SCOTIA
YUKON

PRINCE EDWARD ISLAND
NORTHWEST TERRITORIES

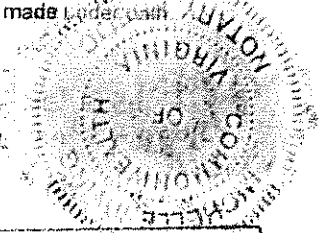
NEWFOUNDLAND AND LABRADOR

MANUFACTURERS NAME: Controls Corporation of America	
MANUFACTURERS ADDRESS: 1501 Harpers Road, Virginia Beach, VA 23454	
PLANT LOCATIONS: U.S.A.	
<p align="center">CATEGORY OF FITTINGS TO BE REGISTERED. CIRCLE ONE CATEGORY ONLY</p> <p>A Pipe fittings, including couplings, tees, elbows, Ys, plugs, unions, pipe caps, or reducers B Flanges: all flanges C Valves: all line valves D Expansion joints, flexible connections, and hose assemblies: all types E Strainers, filters, separators, and steam traps F Measuring devices, including pressure gauges, level gauges, sight glasses, levels, or pressure transmitters G Certified capacity-rated pressure relief devices acceptable as primary over pressure protection on boilers, pressure vessels, piping and fusible plugs <input checked="" type="radio"/> H Pressure retaining components that do not fall into one of the above categories N <input type="checkbox"/> Class 1 <input type="checkbox"/> Class 2 <input type="checkbox"/> Class 3. (Meeting CNSC or ASME requirements)</p>	<p align="center">TITLE OF THE STANDARD OF CONSTRUCTION</p> Proof test 4x max design pressure
<p align="center">MANUFACTURERS NAME, TRADEMARK, OR LOGO AS IT WILL APPEAR ON THE PRODUCT</p> 	<p align="center">TYPE OF CONSTRUCTION</p> FORGED <input type="checkbox"/> WELDED <input type="checkbox"/> WROUGHT <input type="checkbox"/> CAST <input type="checkbox"/> OTHER <input type="checkbox"/> DESCRIBE OTHER:
<p align="center">LIST OF SUPPORTING DOCUMENTATION AND IDENTIFICATION OF THE ACTUAL ITEMS TO BE REGISTERED:</p> Drawings, Catalogs, Excel Spreadsheets, and burst test reports	

DECLARATION:
 I, John Friedrichs (see note 3) employed by Controls Corp. of America and being the person having full authority and responsibility for the quality of the end product do solemnly declare that the information contained in this form is true and to the best of my knowledge represents the product for which registration is sought. The dimensions, materials of construction, pressure temperature ratings, and identification markings are in accordance with the herein named standards. I further declare that the manufacture of these fittings is regulated by a Quality Control Program which extends to each plant where fabrication occurs in whole or in part and has been verified by Intertek Services Corporation as being suitable for that purpose and I make this solemn declaration conscientiously believing it to be true, and knowing that it is of the same force and effect as if made under oath.

Signature of Declarer: [Signature]
 Declared before me at VIRGINIA BEACH, VA
 This 1 day of FEB AD 2013
 Commissioner of Oaths [Signature]
 or Notary Public: (sign) [Signature]
31 MAY 2014 EXP # 261522

USE THIS SPACE FOR OFFICIAL



This space for Regulatory Authority use
 This registration must be revalidated after ten (10) years from the date of acceptance.

CRN: OH15806.5
 FID#: 614

Notes:
 1. All fittings shall be registered in the name of the Manufacturer.
 2. Each category shall be supported with two Statutory Declaration forms and one copy of supporting documentation.
 3. The declaration shall be made by the person having full authority and responsibility for the quality of the end product.
 4. Quality control programs shall be resubmitted for validation at a maximum interval of five (5) years.

GOVERNMENT OF
 NEWFOUNDLAND
 AND LABRADOR
 Department of
 Government Services

Registered OH15806.50
 Date 04 SEP 2013

GOVERNMENT SERVICES CENTRE
 Engineering and Inspection Services

Registered by [Signature]
 UNDER THE AUTHORITY OF THE
 PUBLIC SAFETY ACT AND
 THE BOILER, PRESSURE VESSELS AND
 COMPRESSED GAS REGULATIONS


UNIFORM STATUTORY DECLARATION FORM FOR THE REGISTRATION OF FITTING DESIGNS

NEW BRUNSWICK
NUNAVUT

NOVA SCOTIA
YUKON

PRINCE EDWARD ISLAND
NORTHWEST TERRITORIES

NEWFOUNDLAND AND LABRADOR

MANUFACTURERS NAME: Controls Corporation of America	
MANUFACTURERS ADDRESS: 1501 Harpers Road, Virginia Beach, VA 23454	
PLANT LOCATIONS: U.S.A.	
<p>CATEGORY OF FITTINGS TO BE REGISTERED. CIRCLE ONE CATEGORY ONLY</p> <p>A Pipe fittings, including couplings, tees, elbows, Ys, plugs, unions, pipe caps, or reducers B Flanges: all flanges C Valves: all line valves D Expansion joints, flexible connections, and hose assemblies: all types E Strainers, filters, separators, and steam traps F Measuring devices, including pressure gauges, level gauges, sight glasses, levels, or pressure transmitters G Certified capacity-rated pressure relief devices acceptable as primary over pressure protection on boilers, pressure vessels, piping and fusible plugs <input checked="" type="radio"/> H Pressure retaining components that do not fall into one of the above categories</p> <p>N NPS Schedule 40s: Class 1 <input type="checkbox"/> Class 2 <input type="checkbox"/> Class 3 <input type="checkbox"/>. (Meeting CNSC or ASME requirements)</p>	<p>TITLE OF THE STANDARD OF CONSTRUCTION Proof test 4x max design pressure</p>
<p>SI MANUFACTURERS NAME, TRADEMARK, OR LOGO AS IT WILL APPEAR ON THE PRODUCT</p> 	<p>TYPE OF CONSTRUCTION</p> <p>FORGED <input type="checkbox"/> WELDED <input type="checkbox"/> WROUGHT <input type="checkbox"/> CAST <input type="checkbox"/> OTHER <input type="checkbox"/> DESCRIBE OTHER:</p>
<p>LIST OF SUPPORTING DOCUMENTATION AND IDENTIFICATION OF THE ACTUAL ITEMS TO BE REGISTERED: Drawings, Catalogs, Excel Spreadsheets, and burst test reports</p>	

DECLARATION:

I, John Friedrichs (see note 3) employed by Controls Corp. of America and being the person having full authority and responsibility for the quality of the end product do solemnly declare that the information contained in this form is true and to the best of my knowledge represents the product for which registration is sought. The dimensions, materials of construction, pressure temperature ratings, and identification markings are in accordance with the herein named standards. I further declare that the manufacture of these fittings is regulated by a Quality Control Program which extends to each plant where fabrication occurs in whole or in part and has been verified by Intertek Services Corporation as being suitable for that purpose and I make this solemn declaration conscientiously believing it to be true, and knowing that it is of the same force and effect as if made under oath.

Signature of Declarer: 

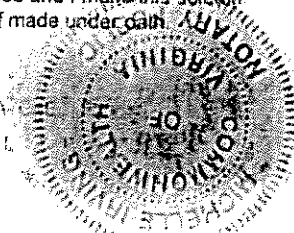
Declared before me at VIRGINIA BEACH, VA

This 1 day of FEB AD 2013

Commissioner of Oaths 

or Notary Public: (sign) 3111A72014 EX # 143528

USE THIS SPACE FOR OFFICIAL



This space for Regulatory Authority use


This registration must be revalidated after ten (10) years from the date of acceptance.

CRN: 0H15806.5

FID#: 614

Notes:

- All fittings shall be registered in the name of the Manufacturer.
- Each category shall be supported with two Statutory Declaration forms and one copy of supporting documentation.
- The declaration shall be made by the person having full authority and responsibility for the quality of the end product.
- Quality control programs shall be resubmitted for validation at a maximum interval of five (5) years.



GOVERNMENT OF YUKON
 BY A
 CRN 0H15806.5
 DATE 8/15/13
 BOILER BRANCH

Sec 1.03 Fittings Rev. 1.05/2003

UNIFORM STATUTORY DECLARATION FORM FOR THE REGISTRATION OF FITTING DESIGNS

NEW BRUNSWICK NOVA SCOTIA PRINCE EDWARD ISLAND NEWFOUNDLAND AND LABRADOR
NUNAVUT YUKON NORTHWEST TERRITORIES

MANUFACTURERS NAME: Controls Corporation of America

MANUFACTURERS ADDRESS: 1501 Harpers Road, Virginia Beach, VA 23454

PLANT LOCATIONS: U.S.A.

CATEGORY OF FITTINGS TO BE REGISTERED. CIRCLE ONE CATEGORY ONLY
A Pipe fittings, including couplings, tees, elbows, Ys, plugs, unions, pipe caps, or reducers
B Flanges: all flanges
C Valves: all line valves
D Expansion joints, flexible connections, and hose assemblies: all types
E Strainers, filters, separators, and steam traps
F Measuring devices, including pressure gauges, level gauges, sight glasses, levels, or pressure transmitters
G Certified capacity-rated pressure relief devices acceptable as primary over pressure protection on boilers, pressure vessels, piping and fusible plugs
H Pressure retaining components that do not fall into one of the above categories
N Nuts and bolts: Class 1 [] Class 2 [] Class 3 [], (Meeting CNSC or ASME requirements)

TITLE OF THE STANDARD OF CONSTRUCTION
Proof test 4x max design pressure

SPONSOR'S NAME, TRADEMARK, OR LOGO AS IT WILL APPEAR ON THE PRODUCT



TYPE OF CONSTRUCTION
FORGED [] WELDED [] WROUGHT []
CAST [] OTHER []
DESCRIBE OTHER:

LIST OF SUPPORTING DOCUMENTATION AND IDENTIFICATION OF THE ACTUAL ITEMS TO BE REGISTERED:

Drawings, Catalogs, Excel Spreadsheets, and burst test reports

DECLARATION:

I, John Friedrichs (100 0015 3) employed by Controls Corp. of America and being the person having full authority and responsibility for the quality of the end product do solemnly declare that the information contained in this form is true and to the best of my knowledge represents the product for which registration is sought. The dimensions, materials of construction, pressure temperature ratings, and identification markings are in accordance with the herein named standards. I further declare that the manufacture of these fittings is regulated by a Quality Control Program which extends to each plant where fabrication occurs in whole or in part and has been verified by Intertek Services Corporation as being suitable for that purpose and I make this solemn declaration conscientiously believing it to be true, and knowing that it is of the same force and effect as if made under oath.

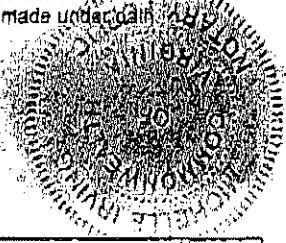
Signature of Declarer: [Signature]

Declared before me at VIRGINIA BEACH, VA

This 1 day of FEB AD 2013

Commissioner of Oaths [Signature]
Notary Public: (sign) [Signature] # 705520

USE THIS SPACE FOR OFFICIAL



This space for Regulatory Authority use

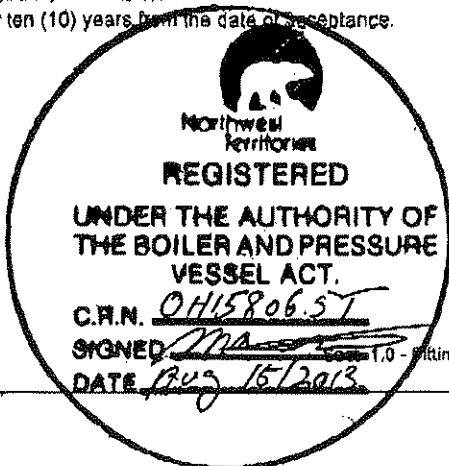
This registration must be revalidated after ten (10) years from the date of acceptance.

CRN: 0H15806.5

FID#: 614

Notes:

- 1. All fittings shall be registered in the name of the Manufacturer.
2. Each category shall be supported with two Statutory Declaration forms and one copy of supporting documentation.
3. The declaration shall be made by the person having full authority and responsibility for the quality of the end product.
4. Quality control programs shall be resubmitted for validation at a maximum interval of five (5) years.



15800


UNIFORM STATUTORY DECLARATION FORM FOR THE REGISTRATION OF FITTING DESIGNS

NEW BRUNSWICK
NUNAVUT

NOVA SCOTIA
YUKON

PRINCE EDWARD ISLAND
NORTHWEST TERRITORIES

NEWFOUNDLAND AND LABRADOR

MANUFACTURERS NAME: Controls Corporation of America	
MANUFACTURERS ADDRESS: 1501 Harpers Road, Virginia Beach, VA 23464	
PLANT LOCATIONS: U.S.A.	
<p align="center">CATEGORY OF FITTINGS TO BE REGISTERED. CIRCLE ONE CATEGORY ONLY</p> <p>A Pipe fittings, including couplings, tees, elbows, Ys, plugs, unions, pipe caps, or reducers B Flanges: all flanges C Valves: all line valves D Expansion joints, flexible connections, and hose assemblies: all types E Strainers, filters, separators, and steam traps F Measuring devices, including pressure gauges, level gauges, sight glasses, levels, or pressure transmitters G Certified capacity-rated pressure relief devices acceptable as primary over pressure protection on boilers, pressure vessels, piping and flexible piping <input checked="" type="radio"/> H Pressure retaining components that do not fall into one of the above categories N N/A</p>	<p>TITLE OF THE STANDARD OF CONSTRUCTION Proof test 4x max design pressure</p>
<p>SPONSORING ORGANIZATION NAME, TRADEMARK, OR LOGO AS IT WILL APPEAR ON THE PRODUCT</p> 	<p>TYPE OF CONSTRUCTION</p> FORGED <input type="checkbox"/> WELDED <input type="checkbox"/> WROUGHT <input type="checkbox"/> CAST <input type="checkbox"/> OTHER <input type="checkbox"/> DESCRIBE OTHER:
<p>LIST OF SUPPORTING DOCUMENTATION AND IDENTIFICATION OF THE ACTUAL ITEMS TO BE REGISTERED: Drawings, Catalogs, Excel Spreadsheets, and burst test reports</p>	

DECLARATION:

I, John Friedrichs (name now is) employed by Controls Corp. of America and being the person having full authority and responsibility for the quality of the end product do solemnly declare that the information contained in this form is true and to the best of my knowledge represents the product for which registration is sought. The dimensions, materials of construction, pressure temperature ratings, and identification markings are in accordance with the herein named standards. I further declare that the manufacture of these fittings is regulated by a Quality Control Program which extends to each plant where fabrication occurs in whole or in part and has been verified by Intertek Services Corporation as being suitable for that purpose and I make this solemn declaration conscientiously believing it to be true and knowing that it is of the same force and effect as if made under oath.

Signature of Declarer: [Signature]

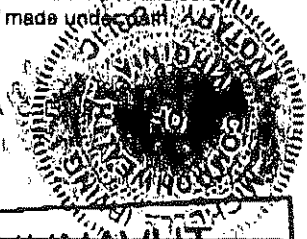
Declared before me at VIRGINIA BEACH, VA

This 1 day of FEB AD 2013

Commissioner of Oaths [Signature]

or Notary Public: (sign) [Signature]
31 MAR 2014 EXP # 105524

USE THIS SPACE FOR OFFICIAL



This space for Regulatory Authority
 This registration must be revalidated after ten (10) years from the date of acceptance.

CRN: OH15806.5

FID#: 614

Notes:
 1. All fittings shall be registered in the name of the Manufacturer.
 2. Each category shall be supported with two Statutory Declaration forms and one copy of supporting documentation.
 3. The declaration shall be made by the person having full authority and responsibility for the quality of the end product.
 4. Quality control programs shall be resubmitted for validation at a maximum interval of five (5) years.

NUNAVUT
 Boilers and Pressure Vessels Act

REGISTERED

CRN OH15806.5N

Date Aug 26, 2013

Signed [Signature]
 Chief Inspector

Sept. 1.0 - Fittings Rev 1.06/2003

Territorial Registration Fee



14th Floor, Centre Tower
3300 Bloor Street West
Toronto, Ontario
Canada M8X 2X4
Tel.: 416.734.3300
Fax: 416.231.1626
Toll Free: 1.877.682.8772

www.tssa.org

October 25, 2013

JOHN FRIEDRICHS
CONTROLS CORPORATION OF AMERICA
1501 HARPERS RD
VIRGINIA BEACH VA 23454
US

Service Request Type.: BPV-National ACI Central
Service Request No.: 1068762
Your Reference No.: DISTRIBUTION SYSTEMS - PHASE 1- CAT H FITTING
Registered to.: CONTROLS CORPORATION OF AMERICA

Dear JOHN FRIEDRICHS,

Please find enclosed the original response from PEI,NS,NB,NFLD,YK,NFLD,NWT,NU, registered under the CRN No.: 0H15806.59870YTN.

As all jurisdictional fees are handled by the Technical Standards and Safety Authority (TSSA), you do not pay any jurisdictions directly.

Should you have any questions or require further assistance, I will be happy to assist you. For general enquiries, please contact a Customer Service Advisor at 1.877.682.TSSA (8772) or e-mail customerservices@tssa.org. When contacting TSSA regarding this file, please refer to the Service Request number provided above.

Yours truly,

Tanya Francis
Administrative Assistant_ BPV Engineering
Tel.: 416-734-3423
Fax: 416-231-6183
Email: tfrancis@tssa.org

UNIFORM STATUTORY DECLARATION FORM FOR THE REGISTRATION OF FITTING DESIGNS

NEW BRUNSWICK
NUNAVUT

NOVA SCOTIA
YUKON

PRINCE EDWARD ISLAND
NORTHWEST TERRITORIES

NEWFOUNDLAND AND LABRADOR

MANUFACTURERS NAME: Controls Corporation of America	
MANUFACTURERS ADDRESS: 1501 Harpers Road, Virginia Beach, VA 23454	
PLANT LOCATIONS: U.S.A.	
CATEGORY OF FITTINGS TO BE REGISTERED, CIRCLE ONE CATEGORY ONLY	
<p>A Pipe fittings, including couplings, tees, elbows, Ys, plugs, unions, pipe caps, or reducers</p> <p>B Flanges: all flanges</p> <p>C Valves: all line valves</p> <p>D Expansion joints, flexible connections, and hose assemblies: all types</p> <p>E Strainers, filters, separators, and steam traps</p> <p>F Measuring devices, including pressure gauges, level gauges, sight glasses, levels, or pressure transmitters</p> <p>G Certified capacity-rated pressure relief devices acceptable as primary over pressure protection on boilers, pressure vessels, piping and fusible plugs</p> <p><input checked="" type="radio"/> H Pressure retaining components that do not fall into one of the above categories</p> <p>N N/A</p> <p>Notes: Class 1 <input type="checkbox"/> Class 2 <input type="checkbox"/> Class 3 <input type="checkbox"/>. (Meeting CNSC or ASME requirements)</p>	TITLE OF THE STANDARD OF CONSTRUCTION Proof test 4x max design pressure
<p>SP CONGOA PRECISION GAS CONTROL</p> <p>MANUFACTURERS NAME, TRADEMARK OR LOGO AS IT WILL APPEAR ON THE PRODUCT</p>	<p>TYPE OF CONSTRUCTION</p> <p>FORGED <input type="checkbox"/> WELDED <input type="checkbox"/> WROUGHT <input type="checkbox"/></p> <p>CAST <input type="checkbox"/> OTHER <input type="checkbox"/></p> <p>DESCRIBE OTHER:</p>
<p>LIST OF SUPPORTING DOCUMENTATION AND IDENTIFICATION OF THE ACTUAL ITEMS TO BE REGISTERED:</p> <p>Drawings, Catalogs, Excel Spreadsheets, and burst test reports</p>	

DECLARATION:

I, John Friedrichs (see note 3) employed by Controls Corp. of America and being the person having full authority and responsibility for the quality of the end product do solemnly declare that the information contained in this form is true and to the best of my knowledge represents the product for which registration is sought. The dimensions, materials of construction, pressure temperature ratings, and identification markings are in accordance with the herein named standards. I further declare that the manufacture of these fittings is regulated by a Quality Control Program which extends to each plant where fabrication occurs in whole or in part and has been verified by Intertek Services Corporation as being suitable for that purpose and I make this solemn declaration conscientiously believing it to be true, and knowing that it is of the same force and effect as if made under oath.

Signature of Declarer: [Signature]

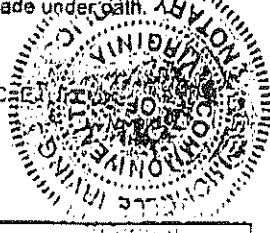
Declared before me at VIRGINIA BEACH, VA

This 1 day of FEB AD 2013

Commissioner of Oaths or Notary Public: (sign) [Signature]

311A-7264 EXP # 16152A

USE THIS SPACE FOR OFFICIAL



This space for Regulatory Authority use

This registration must be revalidated after ten (10) years from the date of acceptance.

CRN: OH15806.5

FID#: 614

Notes:

- All fittings shall be registered in the name of the Manufacturer.
- Each category shall be supported with two Statutory Declaration forms and one copy of supporting documentation.
- The declaration shall be made by the person having full authority and responsibility for the quality of the end product.
- Quality control programs shall be resubmitted for validation at a maximum interval of five (5) years.

ACCEPTED
PROVINCE OF PRINCE EDWARD ISLAND
ENVIRONMENT, LABOUR & JUSTICE
 C.R.N. OH15806.59
 DATE: August 13
INSPECTION SERVICES SECTION
BOILER/PRESSURE VESSEL BRANCH
 Sect. 1.0 - Fittings Rev. 1 05/2003


UNIFORM STATUTORY DECLARATION FORM FOR THE REGISTRATION OF FITTING DESIGNS

NEW BRUNSWICK
NUNAVUT

NOVA SCOTIA
YUKON

PRINCE EDWARD ISLAND
NORTHWEST TERRITORIES

NEWFOUNDLAND AND LABRADOR

MANUFACTURERS NAME: Controls Corporation of America	
MANUFACTURERS ADDRESS: 1501 Harpers Road, Virginia Beach, VA 23454	
PLANT LOCATIONS: U.S.A.	
CATEGORY OF FITTINGS TO BE REGISTERED. CIRCLE ONE CATEGORY ONLY. A Pipe fittings, including couplings, tees, elbows, Ys, plugs, unions, pipe caps, or reducers B Flanges: all flanges C Valves: all line valves D Expansion joints, flexible connections, and hose assemblies: all types E Strainers, filters, separators, and steam traps F Measuring devices, including pressure gauges, level gauges, sight glasses, levels, or pressure transmitters G Certified capacity-rated pressure relief devices acceptable as primary over pressure protection on boilers, pressure vessels, piping and fusible plugs <input checked="" type="checkbox"/> H Pressure retaining components that do not fall into one of the above categories N Non-pressure parts: Class 1 <input type="checkbox"/> Class 2 <input type="checkbox"/> Class 3 <input type="checkbox"/> (Meeting CNSC or ASME requirements)	
TITLE OF THE STANDARD OF CONSTRUCTION Proof test 4x max design pressure	
 CONCOA PRECISION TECHNOLOGICAL CONTROLS WWW.CONCOA.COM	TYPE OF CONSTRUCTION FORGED <input type="checkbox"/> WELDED <input type="checkbox"/> WROUGHT <input type="checkbox"/> CAST <input type="checkbox"/> OTHER <input type="checkbox"/> DESCRIBE OTHER:
BRAND NAME, TRADEMARK, OR LOGO AS IT WILL APPEAR ON THE PRODUCT LIST OF SUPPORTING DOCUMENTATION AND IDENTIFICATION OF THE ACTUAL ITEMS TO BE REGISTERED: Drawings, Catalogs, Excel Spreadsheets, and burst test reports	

DECLARATION:

I, John Friedrichs (see note 3) employed by Controls Corp. of America and being the person having full authority and responsibility for the quality of the end product do solemnly declare that the information contained in this form is true and to the best of my knowledge represents the product for which registration is sought. The dimensions, materials of construction, pressure temperature ratings, and identification markings are in accordance with the herein named standards. I further declare that the manufacture of these fittings is regulated by a Quality Control Program which extends to each plant where fabrication occurs in whole or in part and has been verified by Intertek Services Corporation as being suitable for that purpose and I make this solemn declaration conscientiously believing it to be true, and knowing that it is of the same force and effect as if made under oath.

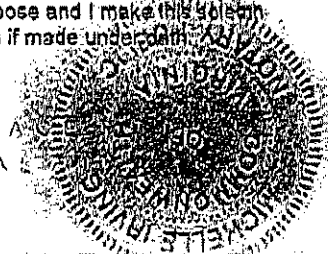
Signature of Declarer: [Signature]

Declared before me at VIRGINIA BEACH, VA

This 1 day of FEB AD 2013

Commissioner of Oaths or Notary Public: (sign) [Signature]
3/11/2014

USE THIS SPACE FOR OFFICIAL USE

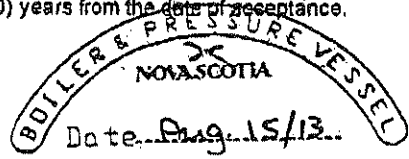


This space for Regulatory Authority use

This registration must be revalidated after ten (10) years from the date of acceptance.

CRN: OH15806.5

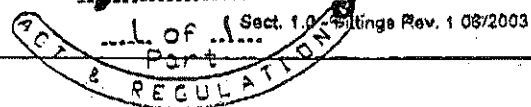
FID#: 614



C.R.N. OH15806.58

Dwg. as described

Signed Yvonne Perry



Notes:

1. All fittings shall be registered in the name of the Manufacturer.
2. Each category shall be supported with two Statutory Declaration forms and one copy of supporting documentation.
3. The declaration shall be made by the person having full authority and responsibility for the quality of the end product.
4. Quality control programs shall be resubmitted for validation at a maximum interval of five (5) years.


UNIFORM STATUTORY DECLARATION FORM FOR THE REGISTRATION OF FITTING DESIGNS

NEW BRUNSWICK
NUNAVUT

NOVA SCOTIA
YUKON

PRINCE EDWARD ISLAND
NORTHWEST TERRITORIES

NEWFOUNDLAND AND LABRADOR

MANUFACTURERS NAME: Controls Corporation of America	
MANUFACTURERS ADDRESS: 1501 Harpers Road, Virginia Beach, VA 23454	
PLANT LOCATIONS: U.S.A.	
<p align="center">CATEGORY OF FITTINGS TO BE REGISTERED. CIRCLE ONE CATEGORY ONLY</p> <p>A Pipe fittings, including couplings, tees, elbows, Ys, plugs, unions, pipe caps, or reducers B Flanges: all flanges C Valves: all line valves D Expansion joints, flexible connections, and hose assemblies: all types E Strainers, filters, separators, and steam traps F Measuring devices, including pressure gauges, level gauges, sight glasses, levels, or pressure transmitters G Certified capacity-rated pressure relief devices acceptable as primary over pressure protection on boilers, pressure vessels, piping and fusible plugs <input checked="" type="radio"/> H Pressure retaining components that do not fall into one of the above categories</p> <p>N N° <input type="checkbox"/> INCREASE <input type="checkbox"/> DECREASE <input type="checkbox"/> Class 1 <input type="checkbox"/> Class 2 <input type="checkbox"/> Class 3 <input type="checkbox"/>, (Meeting CNSC or ASME requirements)</p>	<p>TITLE OF THE STANDARD OF CONSTRUCTION Proof test 4x max design pressure</p>
<p>SI  CONCOA PRECISION GAS CONTROLS WWW.CONCOA.COM</p>	<p>MANUFACTURERS NAME, TRADEMARK, OR LOGO AS IT WILL APPEAR ON THE PRODUCT</p>
<p>TYPE OF CONSTRUCTION FORGED <input type="checkbox"/> WELDED <input type="checkbox"/> WROUGHT <input type="checkbox"/> CAST <input type="checkbox"/> OTHER <input type="checkbox"/> DESCRIBE OTHER:</p>	
<p>LIST OF SUPPORTING DOCUMENTATION AND IDENTIFICATION OF THE ACTUAL ITEMS TO BE REGISTERED: Drawings, Catalogs, Excel Spreadsheets, and burst test reports</p>	

DECLARATION:

I, John Friedrichs (see note 3) employed by Controls Corp. of America and being the person having full authority and responsibility for the quality of the end product do solemnly declare that the information contained in this form is true and to the best of my knowledge represents the product for which registration is sought. The dimensions, materials of construction, pressure temperature ratings, and identification markings are in accordance with the herein named standards. I further declare that the manufacture of these fittings is regulated by a Quality Control Program which extends to each plant where fabrication occurs in whole or in part and has been verified by Intertek Services Corporation as being suitable for that purpose and I make this solemn declaration conscientiously believing it to be true, and knowing that it is of the same force and effect as if made under oath.

Signature of Declarer: [Signature]

Declared before me at VIRGINIA BEACH, VA

This 1 day of FEB AD 2013

Commissioner of Oaths or Notary Public: (sign) [Signature]
31 MAY 2014 EXP # 1015528



This space for Regulatory Authority use This registration must be revalidated after ten (10) years from the date of registration.	
CRN: <u>OH15806.5</u> FID#: <u>614</u>	CRN: <u>OH15806.57</u> EXAMINER: <u>[Signature]</u> for CHIEF BOILER INSPECTOR DATE: <u>8/15/2013</u>
Notes: 1. All fittings shall be registered in the name of the Manufacturer. 2. Each category shall be supported with two Statutory Declaration forms and one copy of supporting documentation. 3. The declaration shall be made by the person having full authority and responsibility for the quality of the end product. 4. Quality control programs shall be resubmitted for validation at a maximum interval of five (5) years.	<input type="checkbox"/> BLRs <input type="checkbox"/> PVs <input checked="" type="checkbox"/> FITTINGS <input type="checkbox"/> COMPONENTS


UNIFORM STATUTORY DECLARATION FORM FOR THE REGISTRATION OF FITTING DESIGNS

NEW BRUNSWICK
NUNAVUT

NOVA SCOTIA
YUKON

PRINCE EDWARD ISLAND
NORTHWEST TERRITORIES

NEWFOUNDLAND AND LABRADOR

MANUFACTURERS NAME: Controls Corporation of America	
MANUFACTURERS ADDRESS: 1501 Harpers Road, Virginia Beach, VA 23454	
PLANT LOCATIONS: U.S.A.	
<p align="center">CATEGORY OF FITTINGS TO BE REGISTERED. CIRCLE ONE CATEGORY ONLY</p> <p>A Pipe fittings, including couplings, tees, elbows, Ys, plugs, unions, pipe caps, or reducers B Flanges: all flanges C Valves: all line valves D Expansion joints, flexible connections, and hose assemblies: all types E Strainers, filters, separators, and steam traps F Measuring devices, including pressure gauges, level gauges, sight glasses, levels, or pressure transmitters G Certified capacity-rated pressure relief devices acceptable as primary over pressure protection on boilers, pressure vessels, piping and fusible plugs <input checked="" type="radio"/> H Pressure retaining components that do not fall into one of the above categories N <input type="checkbox"/> Class 1 <input type="checkbox"/> Class 2 <input type="checkbox"/> Class 3. (Meeting CNSC or ASME requirements)</p>	<p align="center">TITLE OF THE STANDARD OF CONSTRUCTION</p> <p>Proof test 4x max design pressure</p>
<p align="center">MANUFACTURERS NAME, TRADEMARK, OR LOGO AS IT WILL APPEAR ON THE PRODUCT</p> 	<p align="center">TYPE OF CONSTRUCTION</p> <p>FORGED <input type="checkbox"/> WELDED <input type="checkbox"/> WROUGHT <input type="checkbox"/> CAST <input type="checkbox"/> OTHER <input type="checkbox"/> DESCRIBE OTHER:</p>
<p>LIST OF SUPPORTING DOCUMENTATION AND IDENTIFICATION OF THE ACTUAL ITEMS TO BE REGISTERED:</p> <p>Drawings, Catalogs, Excel Spreadsheets, and burst test reports</p>	

DECLARATION:

I, John Friedrichs (see note 3) employed by Controls Corp. of America and being the person having full authority and responsibility for the quality of the end product do solemnly declare that the information contained in this form is true and to the best of my knowledge represents the product for which registration is sought. The dimensions, materials of construction, pressure temperature ratings, and identification markings are in accordance with the herein named standards. I further declare that the manufacture of these fittings is regulated by a Quality Control Program which extends to each plant where fabrication occurs in whole or in part and has been verified by Intertek Services Corporation as being suitable for that purpose and I make this solemn declaration conscientiously believing it to be true, and knowing that it is of the same force and effect as if made under oath.

Signature of Declarer: [Signature]

Declared before me at VIRGINIA BEACH, VA

This 1 day of FEB AD 2013

Commissioner of Oaths [Signature]

or Notary Public: (sign) [Signature]



<p align="center">This space for Regulatory Authority use</p> <p align="center">This registration must be revalidated after ten (10) years from the date of acceptance.</p> <p>CRN: <u>OH15806.5</u></p> <p>FID#: <u>614</u></p> <p>Notes: 1. All fittings shall be registered in the name of the Manufacturer. 2. Each category shall be supported with two Statutory Declaration forms and one copy of supporting documentation. 3. The declaration shall be made by the person having full authority and responsibility for the quality of the end product. 4. Quality control programs shall be resubmitted for validation at a maximum interval of five (5) years.</p>	<p align="center">GOVERNMENT OF NEWFOUNDLAND AND LABRADOR</p> <p align="center">Department of Government Services</p> <p>Registered <u>OH15806.50</u></p> <p>Date <u>04 SEP 2013</u></p> <p align="center">GOVERNMENT SERVICES CENTRE Engineering and Inspection Services</p> <p>Registered by <u>[Signature]</u></p> <p align="center">UNDER THE AUTHORITY OF THE PUBLIC SAFETY ACT AND THE BOILER, PRESSURE VESSELS AND COMPRESSED GAS REGULATIONS</p>
---	--


UNIFORM STATUTORY DECLARATION FORM FOR THE REGISTRATION OF FITTING DESIGNS

NEW BRUNSWICK
NUNAVUT

NOVA SCOTIA
YUKON

PRINCE EDWARD ISLAND
NORTHWEST TERRITORIES

NEWFOUNDLAND AND LABRADOR

MANUFACTURERS NAME: Controls Corporation of America	
MANUFACTURERS ADDRESS: 1501 Harpers Road, Virginia Beach, VA 23454	
PLANT LOCATIONS: U.S.A.	
<p>CATEGORY OF FITTINGS TO BE REGISTERED. CIRCLE ONE CATEGORY ONLY</p> <p>A Pipe fittings, including couplings, tees, elbows, Ys, plugs, unions, pipe caps, or reducers B Flanges: all flanges C Valves: all line valves D Expansion joints, flexible connections, and hose assemblies: all types E Strainers, filters, separators, and steam traps F Measuring devices, including pressure gauges, level gauges, sight glasses, levels, or pressure transmitters G Certified capacity-rated pressure relief devices acceptable as primary over pressure protection on boilers, pressure vessels, piping and fusible plugs <input checked="" type="radio"/> H Pressure retaining components that do not fall into one of the above categories</p> <p>N NPS Schedule 40s: Class 1 <input type="checkbox"/> Class 2 <input type="checkbox"/> Class 3 <input type="checkbox"/>. (Meeting CNSC or ASME requirements)</p>	<p>TITLE OF THE STANDARD OF CONSTRUCTION Proof test 4x max design pressure</p>
<p>SENDER'S NAME, TRADEMARK, OR LOGO AS IT WILL APPEAR ON THE PRODUCT</p> 	<p>TYPE OF CONSTRUCTION</p> <p>FORGED <input type="checkbox"/> WELDED <input type="checkbox"/> WROUGHT <input type="checkbox"/> CAST <input type="checkbox"/> OTHER <input type="checkbox"/> DESCRIBE OTHER:</p>
<p>LIST OF SUPPORTING DOCUMENTATION AND IDENTIFICATION OF THE ACTUAL ITEMS TO BE REGISTERED: Drawings, Catalogs, Excel Spreadsheets, and burst test reports</p>	

DECLARATION:

I, John Friedrichs (see note 3) employed by Controls Corp. of America and being the person having full authority and responsibility for the quality of the end product do solemnly declare that the information contained in this form is true and to the best of my knowledge represents the product for which registration is sought. The dimensions, materials of construction, pressure temperature ratings, and identification markings are in accordance with the herein named standards. I further declare that the manufacture of these fittings is regulated by a Quality Control Program which extends to each plant where fabrication occurs in whole or in part and has been verified by Intertek Services Corporation as being suitable for that purpose and I make this solemn declaration conscientiously believing it to be true, and knowing that it is of the same force and effect as if made under oath.

Signature of Declarer: 

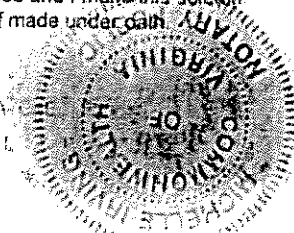
Declared before me at VIRGINIA BEACH, VA

This 1 day of FEB AD 2013

Commissioner of Oaths 

or Notary Public: (sign) 3111A72014 EX # 143538

USE THIS SPACE FOR OFFICIAL



This space for Regulatory Authority use


This registration must be revalidated after ten (10) years from the date of acceptance.

CRN: 0H15806.5

FID#: 614

Notes:

- All fittings shall be registered in the name of the Manufacturer.
- Each category shall be supported with two Statutory Declaration forms and one copy of supporting documentation.
- The declaration shall be made by the person having full authority and responsibility for the quality of the end product.
- Quality control programs shall be resubmitted for validation at a maximum interval of five (5) years.



GOVERNMENT OF YUKON
 BY A
 CRN 0H15806.5
 DATE 8/15/13
 BOILER'S BRANCH

Sec 1.03 Fittings Rev. 1.05/2003

UNIFORM STATUTORY DECLARATION FORM FOR THE REGISTRATION OF FITTING DESIGNS

NEW BRUNSWICK NOVA SCOTIA PRINCE EDWARD ISLAND NEWFOUNDLAND AND LABRADOR
NUNAVUT YUKON NORTHWEST TERRITORIES

MANUFACTURERS NAME: Controls Corporation of America

MANUFACTURERS ADDRESS: 1501 Harpers Road, Virginia Beach, VA 23454

PLANT LOCATIONS: U.S.A.

CATEGORY OF FITTINGS TO BE REGISTERED. CIRCLE ONE CATEGORY ONLY
A Pipe fittings, including couplings, tees, elbows, Ys, plugs, unions, pipe caps, or reducers
B Flanges: all flanges
C Valves: all line valves
D Expansion joints, flexible connections, and hose assemblies: all types
E Strainers, filters, separators, and steam traps
F Measuring devices, including pressure gauges, level gauges, sight glasses, levels, or pressure transmitters
G Certified capacity-rated pressure relief devices acceptable as primary over pressure protection on boilers, pressure vessels, piping and fusible plugs
H Pressure retaining components that do not fall into one of the above categories
N Nuts and bolts: Class 1 [] Class 2 [] Class 3 [] (Meeting CNSC or ASME requirements)

TITLE OF THE STANDARD OF CONSTRUCTION
Proof test 4x max design pressure

SPONSOR NAME, TRADEMARK, OR LOGO AS IT WILL APPEAR ON THE PRODUCT



TYPE OF CONSTRUCTION
FORGED [] WELDED [] WROUGHT []
CAST [] OTHER []
DESCRIBE OTHER:

LIST OF SUPPORTING DOCUMENTATION AND IDENTIFICATION OF THE ACTUAL ITEMS TO BE REGISTERED:

Drawings, Catalogs, Excel Spreadsheets, and burst test reports

DECLARATION:

I John Friedrichs (100 0015 3) employed by Controls Corp. of America and being the person having full authority and responsibility for the quality of the end product do solemnly declare that the information contained in this form is true and to the best of my knowledge represents the product for which registration is sought. The dimensions, materials of construction, pressure temperature ratings, and identification markings are in accordance with the herein named standards. I further declare that the manufacture of these fittings is regulated by a Quality Control Program which extends to each plant where fabrication occurs in whole or in part and has been verified by Intertek Services Corporation as being suitable for that purpose and I make this solemn declaration conscientiously believing it to be true, and knowing that it is of the same force and effect as if made under oath.

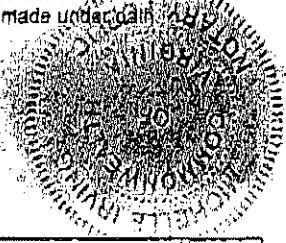
Signature of Declarer: [Signature]

Declared before me at VIRGINIA BEACH, VA

This 1 day of FEB AD 2013

Commissioner of Oaths [Signature]
Notary Public: (sign) [Signature] # 7615528

USE THIS SPACE FOR OFFICIAL



This space for Regulatory Authority use

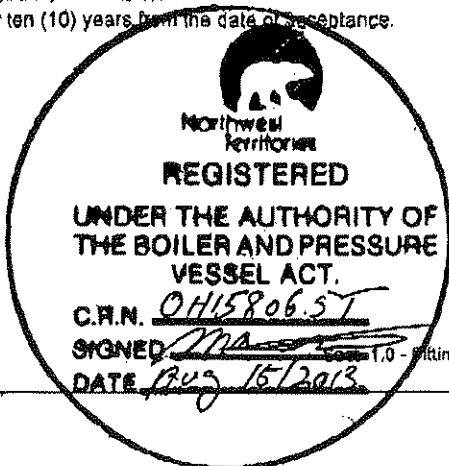
This registration must be revalidated after ten (10) years from the date of acceptance.

CRN: 0H15806.5

FID#: 614

Notes:

- 1. All fittings shall be registered in the name of the Manufacturer.
2. Each category shall be supported with two Statutory Declaration forms and one copy of supporting documentation.
3. The declaration shall be made by the person having full authority and responsibility for the quality of the end product.
4. Quality control programs shall be resubmitted for validation at a maximum interval of five (5) years.



15800


UNIFORM STATUTORY DECLARATION FORM FOR THE REGISTRATION OF FITTING DESIGNS

NEW BRUNSWICK
NUNAVUT

NOVA SCOTIA
YUKON

PRINCE EDWARD ISLAND
NORTHWEST TERRITORIES

NEWFOUNDLAND AND LABRADOR

MANUFACTURERS NAME: Controls Corporation of America	
MANUFACTURERS ADDRESS: 1501 Harpers Road, Virginia Beach, VA 23464	
PLANT LOCATIONS: U.S.A.	
<p align="center">CATEGORY OF FITTINGS TO BE REGISTERED. CIRCLE ONE CATEGORY ONLY</p> <p>A Pipe fittings, including couplings, tees, elbows, Ys, plugs, unions, pipe caps, or reducers B Flanges: all flanges C Valves: all line valves D Expansion joints, flexible connections, and hose assemblies: all types E Strainers, filters, separators, and steam traps F Measuring devices, including pressure gauges, level gauges, sight glasses, levels, or pressure transmitters G Certified capacity-rated pressure relief devices acceptable as primary over pressure protection on boilers, pressure vessels, piping and flexible piping <input checked="" type="radio"/> H Pressure retaining components that do not fall into one of the above categories N Non-pressure components: Class 1 <input type="checkbox"/> Class 2 <input type="checkbox"/> Class 3 <input type="checkbox"/>. (Meeting CNSC or ASME requirements)</p>	<p>TITLE OF THE STANDARD OF CONSTRUCTION Proof test 4x max design pressure</p>
<p>SPONSOR'S NAME, TRADEMARK, OR LOGO AS IT WILL APPEAR ON THE PRODUCT</p> 	<p>TYPE OF CONSTRUCTION</p> FORGED <input type="checkbox"/> WELDED <input type="checkbox"/> WROUGHT <input type="checkbox"/> CAST <input type="checkbox"/> OTHER <input type="checkbox"/> DESCRIBE OTHER: _____
<p>LIST OF SUPPORTING DOCUMENTATION AND IDENTIFICATION OF THE ACTUAL ITEMS TO BE REGISTERED: Drawings, Catalogs, Excel Spreadsheets, and burst test reports</p>	

DECLARATION:

I, John Friedrichs (name now is) employed by Controls Corp. of America and being the person having full authority and responsibility for the quality of the end product do solemnly declare that the information contained in this form is true and to the best of my knowledge represents the product for which registration is sought. The dimensions, materials of construction, pressure temperature ratings, and identification markings are in accordance with the herein named standards. I further declare that the manufacture of these fittings is regulated by a Quality Control Program which extends to each plant where fabrication occurs in whole or in part and has been verified by Intertek Services Corporation as being suitable for that purpose and I make this solemn declaration conscientiously believing it to be true and knowing that it is of the same force and effect as if made under oath.

Signature of Declarer: [Signature]

Declared before me at VIRGINIA BEACH, VA

This 1 day of FEB AD 2013

Commissioner of Oaths [Signature]

or Notary Public: (sign) [Signature]
31 MAR 2014 EXP # 105524

USE THIS SPACE FOR OFFICIAL STAMP



This space for Regulatory Authority
 This registration must be revalidated after ten (10) years from the date of acceptance.

CRN: OH15806.5

FID#: 614

Notes:
 1. All fittings shall be registered in the name of the Manufacturer.
 2. Each category shall be supported with two Statutory Declaration forms and one copy of supporting documentation.
 3. The declaration shall be made by the person having full authority and responsibility for the quality of the end product.
 4. Quality control programs shall be resubmitted for validation at a maximum interval of five (5) years.

NUNAVUT
 Boilers and Pressure Vessels Act

REGISTERED

CRN OH15806.5N

Date Aug 26, 2013

Signed [Signature]
 Chief Inspector

Sept 1.0 - Fittings Rev 1 06/2003

Territorial Registration Fee



14th Floor, Centre Tower
3300 Bloor Street West
Toronto, Ontario
Canada M8X 2X4
Tel.: 416.734.3300
Fax: 416.231.1626
Toll Free: 1.877.682.8772

www.tssa.org

October 25, 2013

JOHN FRIEDRICHS
CONTROLS CORPORATION OF AMERICA
1501 HARPERS RD
VIRGINIA BEACH VA 23454
US

Service Request Type.: BPV-National ACI Central
Service Request No.: 1068762
Your Reference No.: DISTRIBUTION SYSTEMS - PHASE 1- CAT H FITTING
Registered to.: CONTROLS CORPORATION OF AMERICA

Dear JOHN FRIEDRICHS,

Please find enclosed the original response from PEI,NS,NB,NFLD,YK,NFLD,NWT,NU, registered under the CRN No.: 0H15806.59870YTN.

As all jurisdictional fees are handled by the Technical Standards and Safety Authority (TSSA), you do not pay any jurisdictions directly.

Should you have any questions or require further assistance, I will be happy to assist you. For general enquiries, please contact a Customer Service Advisor at 1.877.682.TSSA (8772) or e-mail customerservices@tssa.org. When contacting TSSA regarding this file, please refer to the Service Request number provided above.

Yours truly,

Tanya Francis
Administrative Assistant_ BPV Engineering
Tel.: 416-734-3423
Fax: 416-231-6183
Email: tfrancis@tssa.org


UNIFORM STATUTORY DECLARATION FORM FOR THE REGISTRATION OF FITTING DESIGNS

NEW BRUNSWICK
NUNAVUT

NOVA SCOTIA
YUKON

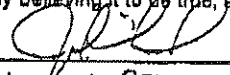
PRINCE EDWARD ISLAND
NORTHWEST TERRITORIES

NEWFOUNDLAND AND LABRADOR

MANUFACTURERS NAME: Controls Corporation of America	
MANUFACTURERS ADDRESS: 1501 Harpers Road, Virginia Beach, VA 23454	
PLANT LOCATIONS: U.S.A.	
CATEGORY OF FITTINGS TO BE REGISTERED, CIRCLE ONE CATEGORY ONLY	
<p>A Pipe fittings, including couplings, tees, elbows, Ys, plugs, unions, pipe caps, or reducers</p> <p>B Flanges: all flanges</p> <p>C Valves: all line valves</p> <p>D Expansion joints, flexible connections, and hose assemblies: all types</p> <p>E Strainers, filters, separators, and steam traps</p> <p>F Measuring devices, including pressure gauges, level gauges, sight glasses, levels, or pressure transmitters</p> <p>G Certified capacity-rated pressure relief devices acceptable as primary over pressure protection on boilers, pressure vessels, piping and fusible plugs</p> <p><input checked="" type="radio"/> H Pressure retaining components that do not fall into one of the above categories</p> <p>N N/A</p> <p>Notes: Class 1 <input type="checkbox"/> Class 2 <input type="checkbox"/> Class 3 <input type="checkbox"/>. (Meeting CNSC or ASME requirements)</p>	<p>TITLE OF THE STANDARD OF CONSTRUCTION</p> <p>Proof test 4x max design pressure</p>
<p>SPONSOR'S NAME, TRADEMARK OR LOGO AS IT WILL APPEAR ON THE PRODUCT</p> 	<p>TYPE OF CONSTRUCTION</p> <p>FORGED <input type="checkbox"/> WELDED <input type="checkbox"/> WROUGHT <input type="checkbox"/></p> <p>CAST <input type="checkbox"/> OTHER <input type="checkbox"/></p> <p>DESCRIBE OTHER:</p>
<p>LIST OF SUPPORTING DOCUMENTATION AND IDENTIFICATION OF THE ACTUAL ITEMS TO BE REGISTERED:</p> <p>Drawings, Catalogs, Excel Spreadsheets, and burst test reports</p>	


DECLARATION:

I, John Friedrichs (see note 3) employed by Controls Corp. of America and being the person having full authority and responsibility for the quality of the end product do solemnly declare that the information contained in this form is true and to the best of my knowledge represents the product for which registration is sought. The dimensions, materials of construction, pressure temperature ratings, and identification markings are in accordance with the herein named standards. I further declare that the manufacture of these fittings is regulated by a Quality Control Program which extends to each plant where fabrication occurs in whole or in part and has been verified by Intertek Services Corporation as being suitable for that purpose and I make this solemn declaration conscientiously believing it to be true, and knowing that it is of the same force and effect as if made under oath.

Signature of Declarer: 

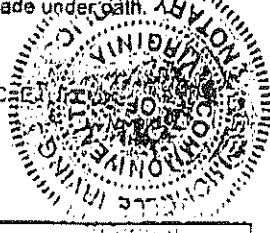
Declared before me at VIRGINIA BEACH, VA

This 1 day of FEB AD 2013

Commissioner of Oaths or Notary Public: (sign) 

311A-7264 EXP # 161528

USE THIS SPACE FOR OFFICIAL



This space for Regulatory Authority use

This registration must be revalidated after ten (10) years from the date of acceptance.

CRN: OH15806.5

FID#: 614

Notes:

- All fittings shall be registered in the name of the Manufacturer.
- Each category shall be supported with two Statutory Declaration forms and one copy of supporting documentation.
- The declaration shall be made by the person having full authority and responsibility for the quality of the end product.
- Quality control programs shall be resubmitted for validation at a maximum interval of five (5) years.

ACCEPTED
 PROVINCE OF PRINCE EDWARD ISLAND
 ENVIRONMENT, LABOUR & JUSTICE
 C.R.N. OH15806.59
 DATE: August 13
INSPECTION SERVICES SECTION
BOILER/PRESSURE VESSEL BRANCH
 Sect. 1.0 - Fittings Rev. 1 05/2003


UNIFORM STATUTORY DECLARATION FORM FOR THE REGISTRATION OF FITTING DESIGNS

NEW BRUNSWICK
NUNAVUT

NOVA SCOTIA
YUKON

PRINCE EDWARD ISLAND
NORTHWEST TERRITORIES

NEWFOUNDLAND AND LABRADOR

MANUFACTURERS NAME: Controls Corporation of America	
MANUFACTURERS ADDRESS: 1501 Harpers Road, Virginia Beach, VA 23454	
PLANT LOCATIONS: U.S.A.	
CATEGORY OF FITTINGS TO BE REGISTERED. CIRCLE ONE CATEGORY ONLY.	
<p>A Pipe fittings, including couplings, tees, elbows, Ys, plugs, unions, pipe caps, or reducers</p> <p>B Flanges: all flanges</p> <p>C Valves: all line valves</p> <p>D Expansion joints, flexible connections, and hose assemblies: all types</p> <p>E Strainers, filters, separators, and steam traps</p> <p>F Measuring devices, including pressure gauges, level gauges, sight glasses, levels, or pressure transmitters</p> <p>G Certified capacity-rated pressure relief devices acceptable as primary over pressure protection on boilers, pressure vessels, piping and fusible plugs</p> <p>H Pressure retaining components that do not fall into one of the above categories</p> <p>N Non-pressure components: Class 1 <input type="checkbox"/> Class 2 <input type="checkbox"/> Class 3 <input type="checkbox"/> (Meeting CNSC or ASME requirements)</p>	TITLE OF THE STANDARD OF CONSTRUCTION Proof test 4x max design pressure
 <p>REG. NAME, TRADEMARK, OR LOGO AS IT WILL APPEAR ON THE PRODUCT</p>	<p>TYPE OF CONSTRUCTION</p> <p>FORGED <input type="checkbox"/> WELDED <input type="checkbox"/> WROUGHT <input type="checkbox"/></p> <p>CAST <input type="checkbox"/> OTHER <input type="checkbox"/></p> <p>DESCRIBE OTHER:</p>
LIST OF SUPPORTING DOCUMENTATION AND IDENTIFICATION OF THE ACTUAL ITEMS TO BE REGISTERED: Drawings, Catalogs, Excel Spreadsheets, and burst test reports	

DECLARATION:

I, John Friedrichs (see note 3) employed by Controls Corp. of America and being the person having full authority and responsibility for the quality of the end product do solemnly declare that the information contained in this form is true and to the best of my knowledge represents the product for which registration is sought. The dimensions, materials of construction, pressure temperature ratings, and identification markings are in accordance with the herein named standards. I further declare that the manufacture of these fittings is regulated by a Quality Control Program which extends to each plant where fabrication occurs in whole or in part and has been verified by Intertek Services Corporation as being suitable for that purpose and I make this solemn declaration conscientiously believing it to be true, and knowing that it is of the same force and effect as if made under oath.

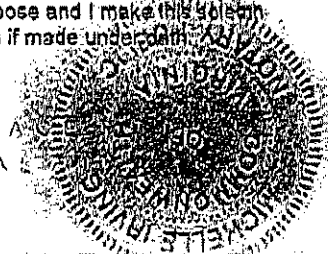
Signature of Declarer: [Signature]

Declared before me at VIRGINIA BEACH, VA

This 1 day of FEB AD 2013

Commissioner of Oaths or Notary Public: (sign) [Signature]
3/11/2014 121520

USE THIS SPACE FOR OFFICIAL USE

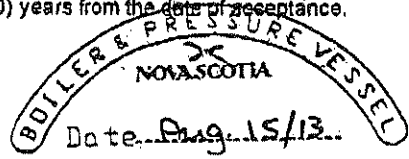


This space for Regulatory Authority use

This registration must be revalidated after ten (10) years from the date of acceptance.

CRN: OH15806.5

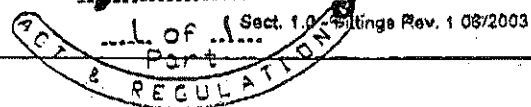
FID#: 614



C.R.N. OH15806.58

Dwg. as described

Signed Yvonne Perry



Notes:

1. All fittings shall be registered in the name of the Manufacturer.
2. Each category shall be supported with two Statutory Declaration forms and one copy of supporting documentation.
3. The declaration shall be made by the person having full authority and responsibility for the quality of the end product.
4. Quality control programs shall be resubmitted for validation at a maximum interval of five (5) years.


UNIFORM STATUTORY DECLARATION FORM FOR THE REGISTRATION OF FITTING DESIGNS

NEW BRUNSWICK
NUNAVUT

NOVA SCOTIA
YUKON

PRINCE EDWARD ISLAND
NORTHWEST TERRITORIES

NEWFOUNDLAND AND LABRADOR

MANUFACTURERS NAME: Controls Corporation of America	
MANUFACTURERS ADDRESS: 1501 Harpers Road, Virginia Beach, VA 23454	
PLANT LOCATIONS: U.S.A.	
<p align="center">CATEGORY OF FITTINGS TO BE REGISTERED. CIRCLE ONE CATEGORY ONLY</p> <p>A Pipe fittings, including couplings, tees, elbows, Ys, plugs, unions, pipe caps, or reducers B Flanges: all flanges C Valves: all line valves D Expansion joints, flexible connections, and hose assemblies: all types E Strainers, filters, separators, and steam traps F Measuring devices, including pressure gauges, level gauges, sight glasses, levels, or pressure transmitters G Certified capacity-rated pressure relief devices acceptable as primary over pressure protection on boilers, pressure vessels, piping and fusible plugs <input checked="" type="radio"/> H Pressure retaining components that do not fall into one of the above categories</p> <p>N N° <input type="checkbox"/> INCREASE <input type="checkbox"/> DECREASE <input type="checkbox"/> Class 1 <input type="checkbox"/> Class 2 <input type="checkbox"/> Class 3 <input type="checkbox"/>, (Meeting CNSC or ASME requirements)</p>	<p>TITLE OF THE STANDARD OF CONSTRUCTION Proof test 4x max design pressure</p>
<p>SI  MANUFACTURERS NAME, TRADEMARK, OR LOGO AS IT WILL APPEAR ON THE PRODUCT</p>	<p>TYPE OF CONSTRUCTION FORGED <input type="checkbox"/> WELDED <input type="checkbox"/> WROUGHT <input type="checkbox"/> CAST <input type="checkbox"/> OTHER <input type="checkbox"/> DESCRIBE OTHER:</p>
<p>LIST OF SUPPORTING DOCUMENTATION AND IDENTIFICATION OF THE ACTUAL ITEMS TO BE REGISTERED: Drawings, Catalogs, Excel Spreadsheets, and burst test reports</p>	

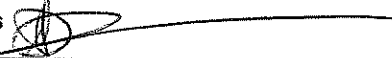
DECLARATION:

I, John Friedrichs (see note 3) employed by Controls Corp. of America and being the person having full authority and responsibility for the quality of the end product do solemnly declare that the information contained in this form is true and to the best of my knowledge represents the product for which registration is sought. The dimensions, materials of construction, pressure temperature ratings, and identification markings are in accordance with the herein named standards. I further declare that the manufacture of these fittings is regulated by a Quality Control Program which extends to each plant where fabrication occurs in whole or in part and has been verified by Intertek Services Corporation as being suitable for that purpose and I make this solemn declaration conscientiously believing it to be true, and knowing that it is of the same force and effect as if made under oath.

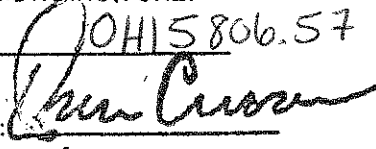
Signature of Declarer: 

Declared before me at VIRGINIA BEACH, VA

This 1 day of FEB AD 2013

Commissioner of Oaths or Notary Public: (sign) 
 31 MAY 2014 EXP # 1015528



This space for Regulatory Authority use This registration must be revalidated after ten (10) years from the date of registration.	
CRN: <u>OH15806.5</u> FID#: <u>614</u>	CRN: <u>OH15806.57</u> EXAMINER: <u></u> for CHIEF BOILER INSPECTOR DATE: <u>8/15/2013</u>
Notes: 1. All fittings shall be registered in the name of the Manufacturer. 2. Each category shall be supported with two Statutory Declaration forms and one copy of supporting documentation. 3. The declaration shall be made by the person having full authority and responsibility for the quality of the end product. 4. Quality control programs shall be resubmitted for validation at a maximum interval of five (5) years.	<input type="checkbox"/> BLRs <input type="checkbox"/> PVs <input checked="" type="checkbox"/> FITTINGS <input type="checkbox"/> COMPONENTS


UNIFORM STATUTORY DECLARATION FORM FOR THE REGISTRATION OF FITTING DESIGNS

NEW BRUNSWICK
NUNAVUT

NOVA SCOTIA
YUKON

PRINCE EDWARD ISLAND
NORTHWEST TERRITORIES

NEWFOUNDLAND AND LABRADOR

MANUFACTURERS NAME: Controls Corporation of America	
MANUFACTURERS ADDRESS: 1501 Harpers Road, Virginia Beach, VA 23454	
PLANT LOCATIONS: U.S.A.	
<p align="center">CATEGORY OF FITTINGS TO BE REGISTERED. CIRCLE ONE CATEGORY ONLY</p> <p>A Pipe fittings, including couplings, tees, elbows, Ys, plugs, unions, pipe caps, or reducers B Flanges: all flanges C Valves: all line valves D Expansion joints, flexible connections, and hose assemblies: all types E Strainers, filters, separators, and steam traps F Measuring devices, including pressure gauges, level gauges, sight glasses, levels, or pressure transmitters G Certified capacity-rated pressure relief devices acceptable as primary over pressure protection on boilers, pressure vessels, piping and fusible plugs <input checked="" type="radio"/> H Pressure retaining components that do not fall into one of the above categories N <small>Non-pressure retaining</small> components: Class 1 <input type="checkbox"/> Class 2 <input type="checkbox"/> Class 3 <input type="checkbox"/>. (Meeting CNSC or ASME requirements)</p>	<p>TITLE OF THE STANDARD OF CONSTRUCTION Proof test 4x max design pressure</p>
<p>SP  CONCOA CONSTRUCTION OF NOVA SCOTIA CONSTRUCTION OF NEW BRUNSWICK CONSTRUCTION OF ALBERTA CONSTRUCTION OF SASKATCHEWAN CONSTRUCTION OF MANITOBA CONSTRUCTION OF ONTARIO CONSTRUCTION OF QUEBEC CONSTRUCTION OF ATLANTIC CANADA</p>	<p>TRADEMARK OR LOGO AS IT WILL APPEAR ON THE PRODUCT</p> <p>TYPE OF CONSTRUCTION FORGED <input type="checkbox"/> WELDED <input type="checkbox"/> WROUGHT <input type="checkbox"/> CAST <input type="checkbox"/> OTHER <input type="checkbox"/> DESCRIBE OTHER:</p>
<p>LIST OF SUPPORTING DOCUMENTATION AND IDENTIFICATION OF THE ACTUAL ITEMS TO BE REGISTERED: Drawings, Catalogs, Excel Spreadsheets, and burst test reports</p>	

DECLARATION:

I, John Friedrichs (see note 3) employed by Controls Corp. of America and being the person having full authority and responsibility for the quality of the end product do solemnly declare that the information contained in this form is true and to the best of my knowledge represents the product for which registration is sought. The dimensions, materials of construction, pressure temperature ratings, and identification markings are in accordance with the herein named standards. I further declare that the manufacture of these fittings is regulated by a Quality Control Program which extends to each plant where fabrication occurs in whole or in part and has been verified by Intertek Services Corporation as being suitable for that purpose and I make this solemn declaration conscientiously believing it to be true, and knowing that it is of the same force and effect as if made under oath.

Signature of Declarer: [Signature]

Declared before me at VIRGINIA BEACH, VA

This 1 day of FEB AD 2013

Commissioner of Oaths [Signature]

or Notary Public: (sign) [Signature]
31 MAY 2014 EXP # 261522



<p align="center">This space for Regulatory Authority use</p> <p align="center">This registration must be revalidated after ten (10) years from the date of acceptance.</p> <p>CRN: <u>OH15806.5</u></p> <p>FID#: <u>614</u></p> <p>Notes: 1. All fittings shall be registered in the name of the Manufacturer. 2. Each category shall be supported with two Statutory Declaration forms and one copy of supporting documentation. 3. The declaration shall be made by the person having full authority and responsibility for the quality of the end product. 4. Quality control programs shall be resubmitted for validation at a maximum interval of five (5) years.</p>	<p align="center">GOVERNMENT OF NEWFOUNDLAND AND LABRADOR Department of Government Services</p> <p>Registered <u>OH15806.50</u> Date <u>04 SEP 2013</u></p> <p align="center">GOVERNMENT SERVICES CENTRE Engineering and Inspection Services</p> <p>Registered by <u>[Signature]</u> UNDER THE AUTHORITY OF THE PUBLIC SAFETY ACT AND THE BOILER, PRESSURE VESSELS AND COMPRESSED GAS REGULATIONS</p>
---	---


UNIFORM STATUTORY DECLARATION FORM FOR THE REGISTRATION OF FITTING DESIGNS

NEW BRUNSWICK
NUNAVUT

NOVA SCOTIA
YUKON

PRINCE EDWARD ISLAND
NORTHWEST TERRITORIES

NEWFOUNDLAND AND LABRADOR

MANUFACTURERS NAME: Controls Corporation of America	
MANUFACTURERS ADDRESS: 1501 Harpers Road, Virginia Beach, VA 23454	
PLANT LOCATIONS: U.S.A.	
<p>CATEGORY OF FITTINGS TO BE REGISTERED. CIRCLE ONE CATEGORY ONLY</p> <p>A Pipe fittings, including couplings, tees, elbows, Ys, plugs, unions, pipe caps, or reducers B Flanges: all flanges C Valves: all line valves D Expansion joints, flexible connections, and hose assemblies: all types E Strainers, filters, separators, and steam traps F Measuring devices, including pressure gauges, level gauges, sight glasses, levels, or pressure transmitters G Certified capacity-rated pressure relief devices acceptable as primary over pressure protection on boilers, pressure vessels, piping and fusible plugs <input checked="" type="radio"/> H Pressure retaining components that do not fall into one of the above categories</p> <p>N NPS Schedule 40s: Class 1 <input type="checkbox"/> Class 2 <input type="checkbox"/> Class 3 <input type="checkbox"/>. (Meeting CNSC or ASME requirements)</p>	<p>TITLE OF THE STANDARD OF CONSTRUCTION Proof test 4x max design pressure</p>
<p>SENDER'S NAME, TRADEMARK, OR LOGO AS IT WILL APPEAR ON THE PRODUCT</p> 	<p>TYPE OF CONSTRUCTION</p> <p>FORGED <input type="checkbox"/> WELDED <input type="checkbox"/> WROUGHT <input type="checkbox"/> CAST <input type="checkbox"/> OTHER <input type="checkbox"/> DESCRIBE OTHER:</p>
<p>LIST OF SUPPORTING DOCUMENTATION AND IDENTIFICATION OF THE ACTUAL ITEMS TO BE REGISTERED: Drawings, Catalogs, Excel Spreadsheets, and burst test reports</p>	

DECLARATION:

I, John Friedrichs (see note 3) employed by Controls Corp. of America and being the person having full authority and responsibility for the quality of the end product do solemnly declare that the information contained in this form is true and to the best of my knowledge represents the product for which registration is sought. The dimensions, materials of construction, pressure temperature ratings, and identification markings are in accordance with the herein named standards. I further declare that the manufacture of these fittings is regulated by a Quality Control Program which extends to each plant where fabrication occurs in whole or in part and has been verified by Intertek Services Corporation as being suitable for that purpose and I make this solemn declaration conscientiously believing it to be true, and knowing that it is of the same force and effect as if made under oath.

Signature of Declarer: 

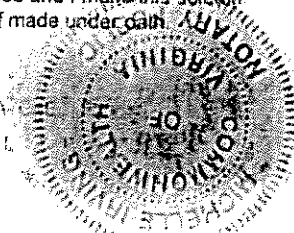
Declared before me at VIRGINIA BEACH, VA

This 1 day of FEB AD 2013

Commissioner of Oaths 

or Notary Public: (sign) 3111A72014 EX # 143528

USE THIS SPACE FOR OFFICIAL



This space for Regulatory Authority use


This registration must be revalidated after ten (10) years from the date of acceptance.

CRN: 0H15806.5

FID#: 614

Notes:

- All fittings shall be registered in the name of the Manufacturer.
- Each category shall be supported with two Statutory Declaration forms and one copy of supporting documentation.
- The declaration shall be made by the person having full authority and responsibility for the quality of the end product.
- Quality control programs shall be resubmitted for validation at a maximum interval of five (5) years.



GOVERNMENT OF YUKON
 BY A
 CRN 0H15806.5
 DATE 8/15/13
 BOILER'S BRANCH

Sec 1.03 Fittings Rev. 1.05/2003


UNIFORM STATUTORY DECLARATION FORM FOR THE REGISTRATION OF FITTING DESIGNS

NEW BRUNSWICK
NUNAVUT

NOVA SCOTIA
YUKON

PRINCE EDWARD ISLAND
NORTHWEST TERRITORIES

NEWFOUNDLAND AND LABRADOR

MANUFACTURERS NAME: Controls Corporation of America	
MANUFACTURERS ADDRESS: 1501 Harpers Road, Virginia Beach, VA 23454	
PLANT LOCATIONS: U.S.A.	
CATEGORY OF FITTINGS TO BE REGISTERED. CIRCLE ONE CATEGORY ONLY A Pipe fittings, including couplings, tees, elbows, Ys, plugs, unions, pipe caps, or reducers B Flanges: all flanges C Valves: all line valves D Expansion joints, flexible connections, and hose assemblies: all types E Strainers, filters, separators, and steam traps F Measuring devices, including pressure gauges, level gauges, sight glasses, levels, or pressure transmitters G Certified capacity-rated pressure relief devices acceptable as primary over pressure protection on boilers, pressure vessels, piping and fusible plugs <input checked="" type="radio"/> H Pressure retaining components that do not fall into one of the above categories N Nomenclature: Class 1 <input type="checkbox"/> Class 2 <input type="checkbox"/> Class 3 <input type="checkbox"/> . (Meeting CNRC or ASME requirements)	
TITLE OF THE STANDARD OF CONSTRUCTION Proof test 4x max design pressure	
SERIAL NAME, TRADEMARK, OR LOGO AS IT WILL APPEAR ON THE PRODUCT 	
TYPE OF CONSTRUCTION FORGED <input type="checkbox"/> WELDED <input type="checkbox"/> WROUGHT <input type="checkbox"/> CAST <input type="checkbox"/> OTHER <input type="checkbox"/> DESCRIBE OTHER:	
LIST OF SUPPORTING DOCUMENTATION AND IDENTIFICATION OF THE ACTUAL ITEMS TO BE REGISTERED: Drawings, Catalogs, Excel Spreadsheets, and burst test reports	

DECLARATION:

I John Friedrichs (100 0015 3) employed by Controls Corp. of America and being the person having full authority and responsibility for the quality of the end product do solemnly declare that the information contained in this form is true and to the best of my knowledge represents the product for which registration is sought. The dimensions, materials of construction, pressure temperature ratings, and identification markings are in accordance with the herein named standards. I further declare that the manufacture of these fittings is regulated by a Quality Control Program which extends to each plant where fabrication occurs in whole or in part and has been verified by Intertek Services Corporation as being suitable for that purpose and I make this solemn declaration conscientiously believing it to be true, and knowing that it is of the same force and effect as if made under oath.

Signature of Declarer: [Signature]

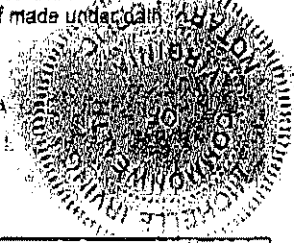
Declared before me at VIRGINIA BEACH, VA

This 1 day of FEB AD 2013

Commissioner of Oaths [Signature]

Notary Public: (sign) [Signature]
31MA7264 EX #765528

USE THIS SPACE FOR OFFICIAL STAMP



This space for Regulatory Authority use

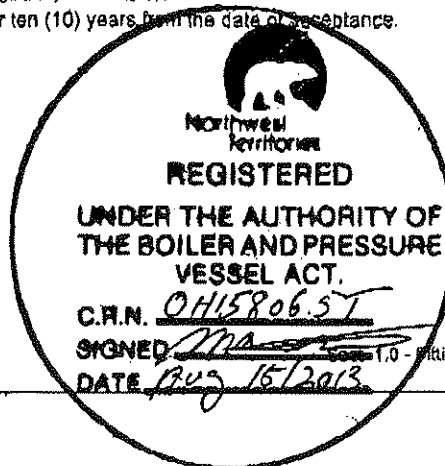
This registration must be revalidated after ten (10) years from the date of acceptance.

CRN: 0H15806.5

FID#: 614

Notes:

- All fittings shall be registered in the name of the Manufacturer.
- Each category shall be supported with two Statutory Declaration forms and one copy of supporting documentation.
- The declaration shall be made by the person having full authority and responsibility for the quality of the end product.
- Quality control programs shall be resubmitted for validation at a maximum interval of five (5) years.



15800



14th Floor, Centre Tower
3300 Bloor Street West
Toronto, Ontario
Canada M8X 2X4
Tel.: 416.734.3300
Fax: 416.231.1626
Toll Free: 1.877.682.8772

www.tssa.org

September 16, 2013

JOHN FRIEDRICHS
CONTROLS CORPORATION OF AMERICA
1501 HARPERS RD
VIRGINIA BEACH VA 23454
US

Service Request Type.: BPV-National BC
Service Request No.: 1068766
Your Reference No.: DISTRIBUTION SYSTEMS - PHASE 1- CAT H FITTING
Registered to.: CONTROLS CORPORATION OF AMERICA

Dear JOHN FRIEDRICHS,

Please find enclosed the original response from BC, registered under the CRN No.: 0H15806.51.

As all jurisdictional fees are handled by the Technical Standards and Safety Authority (TSSA), you do not pay any jurisdictions directly.

Should you have any questions or require further assistance, I will be happy to assist you. For general enquiries, please contact a Customer Service Advisor at 1.877.682.TSSA (8772) or e-mail customerservices@tssa.org. When contacting TSSA regarding this file, please refer to the Service Request number provided above.

Yours truly,

Tanya Francis
Administrative Assistant_ BPV Engineering
Tel. : 416-734-3423
Fax : 416-231-6183
Email : tfrancis@tssa.org



505 - 6th Street, Suite 200
New Westminster, BC V3L 0E1

Toll Free: 1-866-566-SAFE
Fax: (778) 396 - 2064
www.safetyauthority.ca

TECHNICAL STANDARDS & SAFETY AUTHORITY
14TH FLOOR CENTRE TOWER-3300 BLOOR STREE
TORONTO ON M8X 2X4

Date: August 2, 2013
Account #: 35231
Journal #: 57121
Our File #: 5457997

Attn: TANYA FRANCIS

Re: Application for Design Registration

The design, as detailed in your, TSSA Service Request No: 1068766, for a Fitting is accepted for registration as follows:

Registered To: CONTROLS CORPORATION OF AMERICA **CRN:** 0H15806.51

Drawing #: 5029007X, 5022XXX, 628

Drawing Revision: (as noted by TSSA)

Conditions Of Registration:

Registration of Compressed Gas Systems & Manifolds per Concoa Testing Summary Sheets.

This design was registered based on a technical review performed by the province of initial registration in accordance with the Association of Chief Inspectors policy on reciprocal recognition of design review.

Reviewer's Notes:

TSSA's registration notes apply. As required by CSA B51 4.2.1, this registration expires on February 12, 2023. This CRN is valid until the expiry date as long as the Manufacturer maintains a valid quality control program verified by an acceptable third-party agency until that date. Should the certification of the quality control program lapse before the expiry date, this registration shall become void.

Contact me if you have any questions. The invoice for registration will be forwarded under separate cover.

SHARON PETERS
(778) 396-2027
Sharon.Peters@safetyauthority.ca
Design Administration

cc:

CONCOA CRN Testing Summary Sheet

Package 2 - Type H
529007X

Scope: 529007X Station Drop Compressed Gas Systems

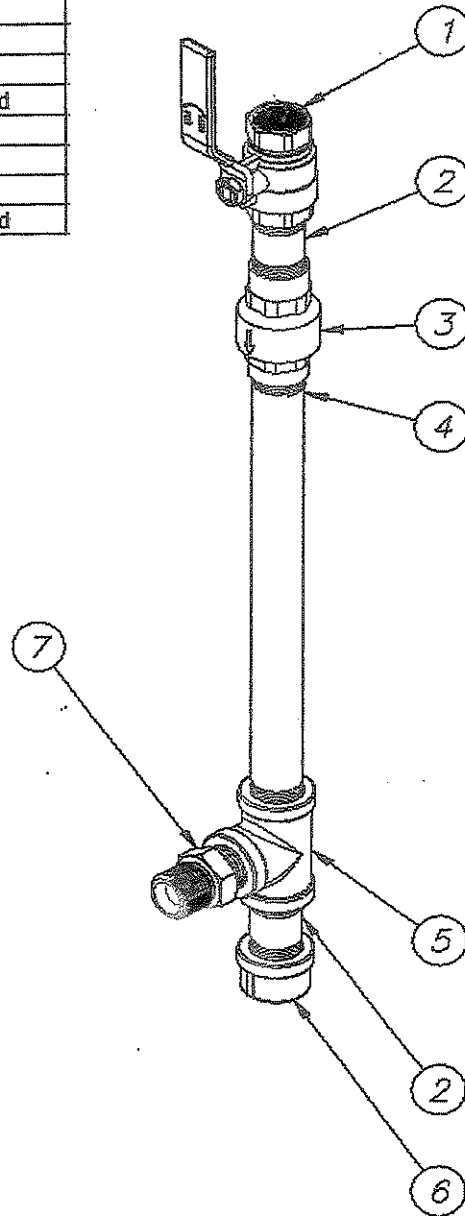
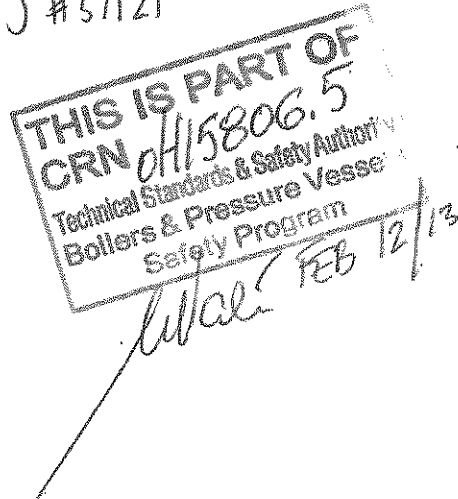
Comments: For items with existing CRN numbers, see attached sheet for pressure ratings. Total internal volume is well under 1.5 cu. ft.

Item	CRN / Test Data / Exclusions
1	OA8728.5
2	OA8728.5
3	See 8350471 burst test data attached
4	OA8728.5
5	OA8728.5
6	OA8728.5
7	See 8030434 burst test data attached



Sketch:

J #37121



Note:

Test results reflect testing of the highest rated inlet and outlet pressures of the entire series - testing the components with the thinnest wall thickness and weakest materials (worst case items in the design). All models in scope have same geometry, same materials of construction, same or lower pressure ratings, and the same temperature ratings as the tested items.

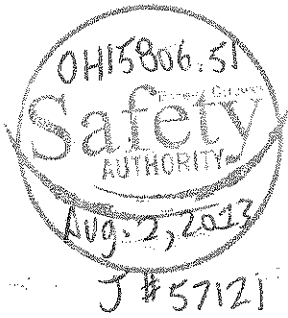
CONCOA CRN Testing Summary Sheet

Package 3 - Type H
5022XXX

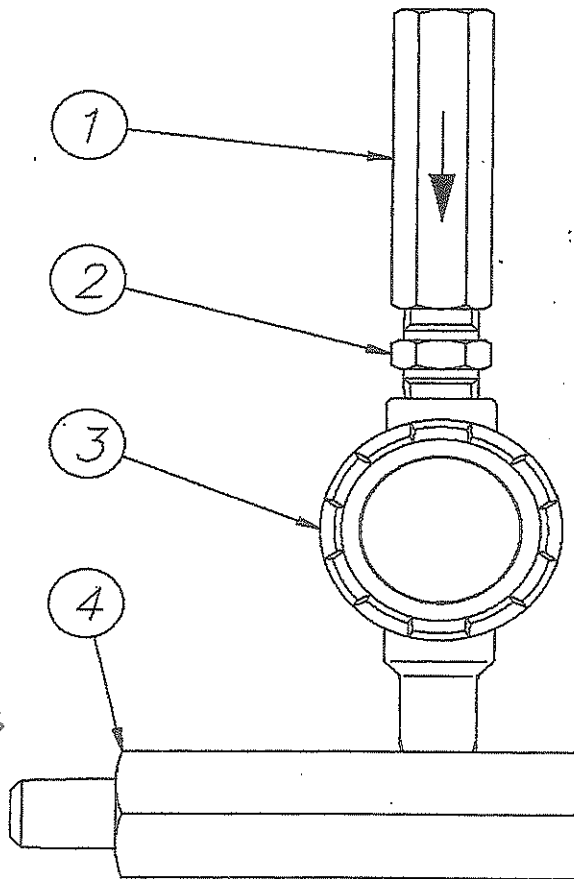
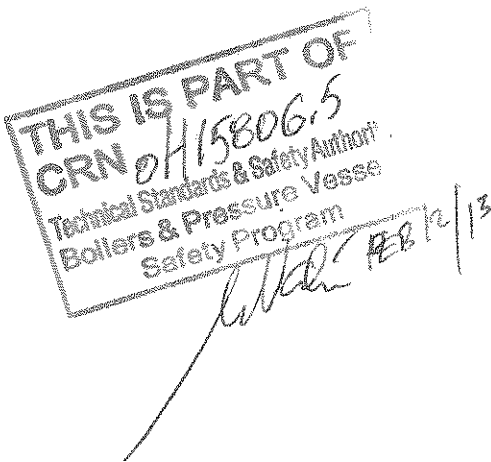
Scope: 5022XXX Compressed Gas Tee Purge Systems

Comments: For items with existing CRN numbers, see attached sheet for pressure ratings. Total internal volume is well under 1.5 cu. ft.

Item	CRN / Test Data / Exclusions
1	OC12577.5C
2	See 5534104 burst test data attached
3	OH5216.5R1
4	See 5022001 and 5022002 burst test data attached



Sketch:



Note:

Test results reflect testing of the highest rated inlet and outlet pressures of the entire series - testing the components with the thinnest wall thickness and weakest materials (worst case items in the design). All models in scope have same geometry, same materials of construction, same or lower pressure ratings, and the same temperature ratings as the tested items.

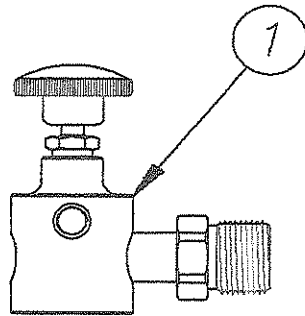
CONCOA CRN Testing Summary Sheet

Package 4 - Type H
628

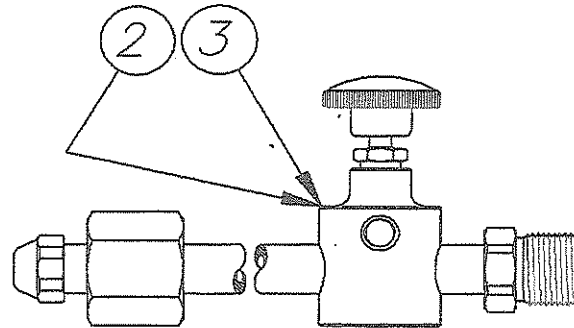
Scope: 628 Manifold Compressed Gas Systems (pigtailes on some models shall require a separate valid CRN - Items 4 from sketch below is excluded from this listing)

Comments: For items with existing CRN numbers, see attached sheet for pressure ratings. Total internal volume is well under 1.5 cu. ft.

Item	CRN / Test Data / Exclusions
1	See 8291849 burst test data attached
2	6" extension - See 8291851 burst test data attached
3	12" extension - See 8291847 burst test data attached
4	Excluded from this listing

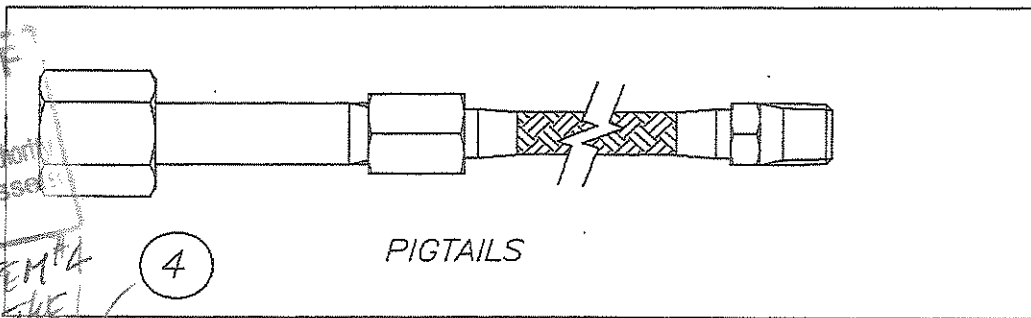


STARTER BLOCK



EXTENSION

Sketch:



PIGTAILES

THIS IS PART OF
CRN 011
Technical Standards & Safety Authority
Boilers & Pressure Vessels
Safety Program

NOTE: PIGTAILS ITEM 4
IS EXCLUDED FROM THE
SCOPE OF REGISTRATION
FEB 12/13

Note: Test results reflect testing of the highest rated inlet and outlet pressures of the entire series - testing the components with the thinnest wall thickness and weakest materials (worst case items in the design). All models in scope have same geometry, same materials of construction, same or lower pressure ratings, and the same temperature ratings as the tested items.

CONCOA CRN Testing Summary Sheet

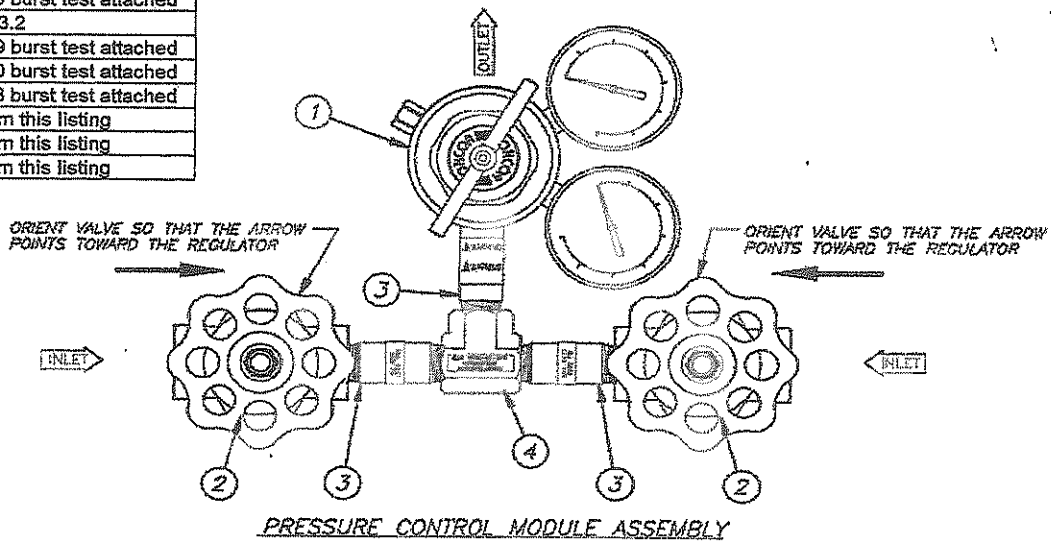
Package 5 - Type H
631/633

Scope: 631/633 Series Compressed Gas Systems (manifolds on some models shall require a separate valid CRN - Items 8,9 and 10 from sketch below are excluded from this listing)

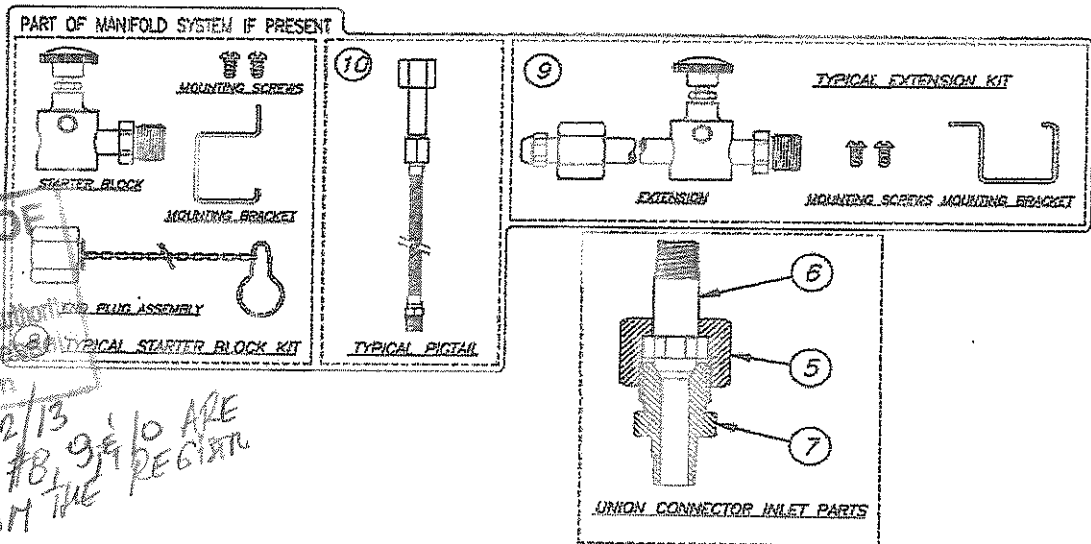
Comments: For items with existing CRN numbers, see attached sheet for pressure ratings. Total internal volume is well under 1.5 cu. ft.

Item	CRN / Test Data / Exclusions
1	OF11809.2
2	OH7770.5R1
3	See 8306499 burst test attached
4	CRN OA4093.2
5	See 8291839 burst test attached
6	See 8291840 burst test attached
7	See 8306498 burst test attached
8	Excluded from this listing
9	Excluded from this listing
10	Excluded from this listing

OH15806.5
Safety Authority
Aug. 2, 2013
J#57121



Sketch:



THIS IS PART OF CRN OH15806.5
Technical Standards & Safety Authority
Boilers & Pressure Vessels Safety Program
FEB 12/13
NOTE: ITEMS #8, 9 & 10 ARE EXCLUDED FROM THE REGISTER

Note: Test results reflect testing of the highest rated inlet and outlet pressures of the entire series - testing the components with the thinnest wall thickness and weakest materials (worst case items in the design). All models in scope have same geometry, same materials of construction, same or lower pressure ratings, and the same temperature ratings as the tested items.

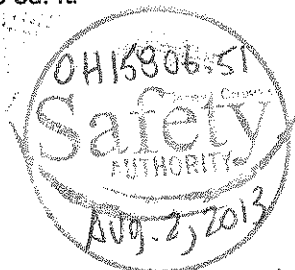
CONCOA CRN Testing Summary Sheet

Package 6 - Type H
632

Scope: 632 Series Compressed Gas Systems (manifolds and pigtails on some models shall require a separate valid CRN - Items 13 and 14 from sketch below are excluded from this listing)

Comments: For items with existing CRN numbers, see attached sheet for pressure ratings. Total internal volume is well under 1.5 cu. ft.

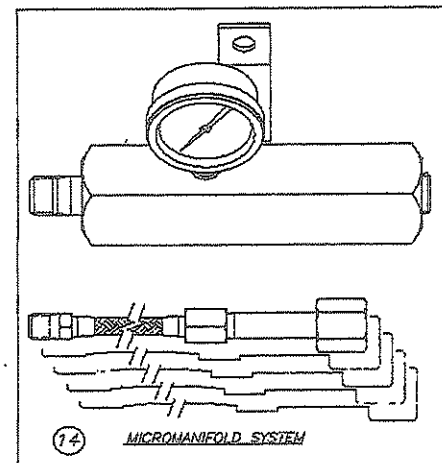
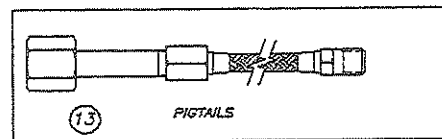
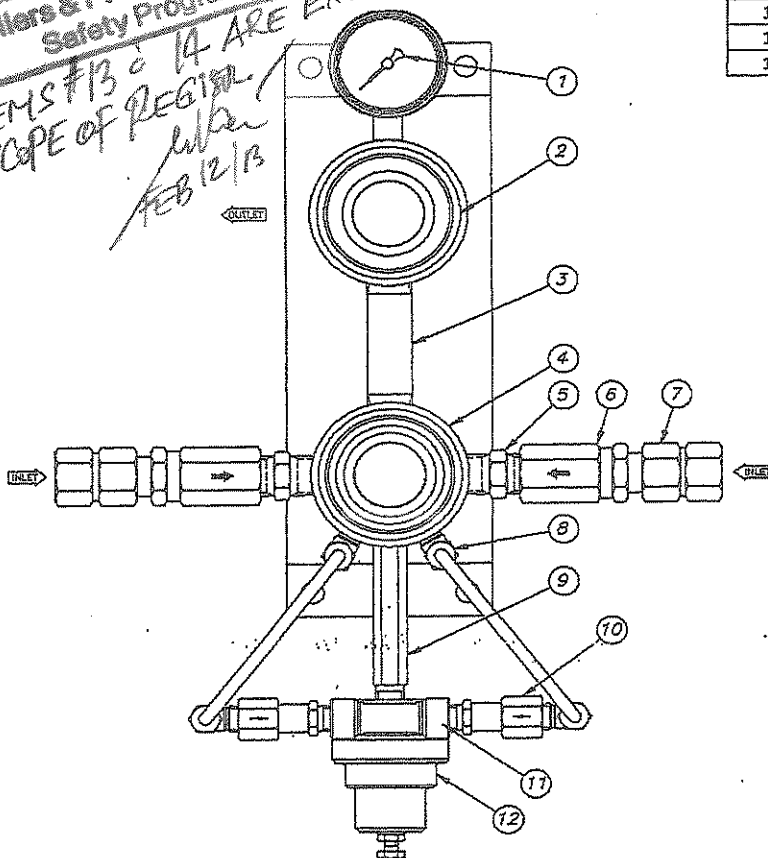
Item	CRN / Test Data / Exclusions
1	OF8241.5 or OF2026.2
2	OF11809.2
3	See 8306230 burst test attached
4	See 632 Switch Reg burst test attached
5	See 8306499 burst test attached
6	OA12577.5C or OA4093.2
7	OA12577.5C
8	OA12577.5C, OA4093.2 or OA9866.5
9	OA12577.5C, OA4093.2 or OA9866.5
10	OA12577.5C
11	OA4093.2
12	OH7770.5R1
13	Excluded from this listing
14	Excluded from this listing



**THIS IS PART OF
CRN OH15806.5**
Technical Standards & Safety Authority
Boilers & Pressure Vessels
Safety Program

NOTE: ITEMS # 13 & 14 ARE EXCLUDED FROM THE SCOPE OF REGISTRATION FEB 12/13
J # 37121

Sketch:



Note:

Test results reflect testing of the highest rated inlet and outlet pressures of the entire series - testing the components with the thinnest wall thickness and weakest materials (worst case items in the design). All models in scope have same geometry, same materials of construction, same or lower pressure ratings, and the same temperature ratings as the tested items.

CONCOA CRN Testing Summary Sheet

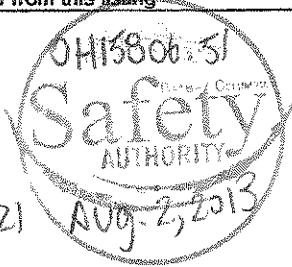
Package 7 - Type H
629

Scope: 629 Series Micro Manifold Compressed Gas Systems

Comments: For items with existing CRN numbers, see attached sheet for pressure ratings. Total internal volume is well under 1.5 cu. ft.

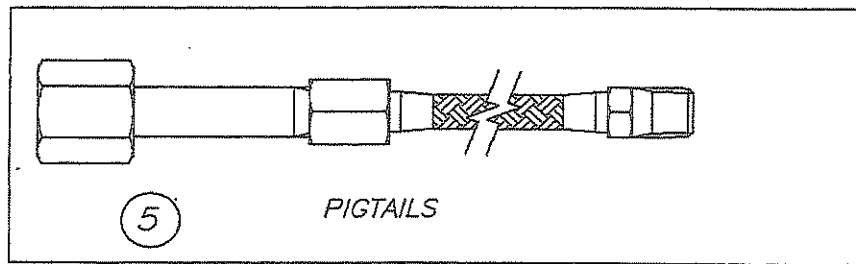
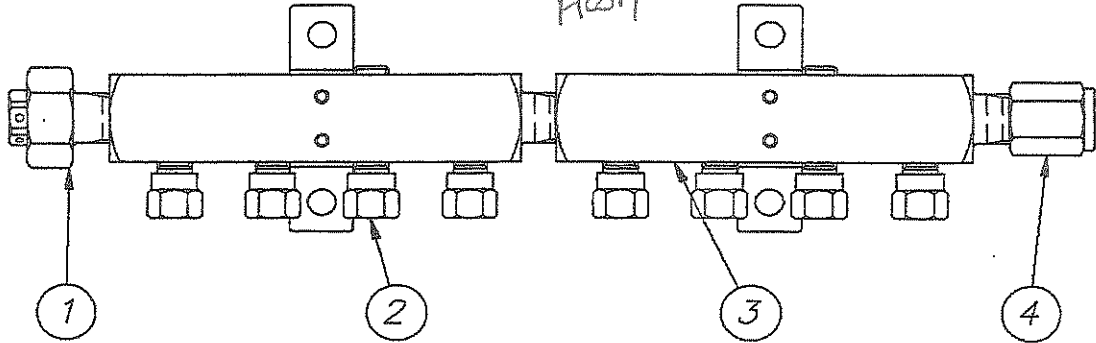
Item	CRN / Test Data / Exclusions
1	Excluded from this listing
2	See 8350080 burst test data attached
3	See 8309746 burst test data attached
4	Excluded from this listing
5	Excluded from this listing

THIS IS PART OF
CRN OH15806.5
Technical Standards & Safety Authority
Boilers & Pressure Vessels
Safety Program



NOTE: ITEMS #1, 4 & 5 ARE EXCLUDED FROM THE SCOPE OF REGISTRATION
FEB 14/13

Sketch:



Note:

Test results reflect testing of the highest rated inlet and outlet pressures of the entire series - testing the components with the thinnest wall thickness and weakest materials (worst case items in the design). All models in scope have same geometry, same materials of construction, same or lower pressure ratings, and the same temperature ratings as the tested items.

CONCOA CRN Testing Summary Sheet

Package 8 - Type H
52B, 52C, 52S

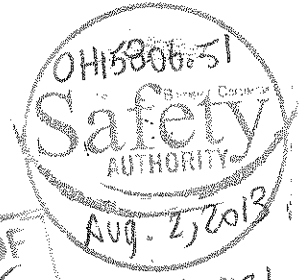
Scope:

52B, 52C and 52S Manifold Compressed Gas Systems (pigtaills on some models shall require a separate valid CRN - Items 4 from sketch below is excluded from this listing)

Comments:

For items with existing CRN numbers, see attached sheet for pressure ratings. Total internal volume is well under 1.5 cu. ft.

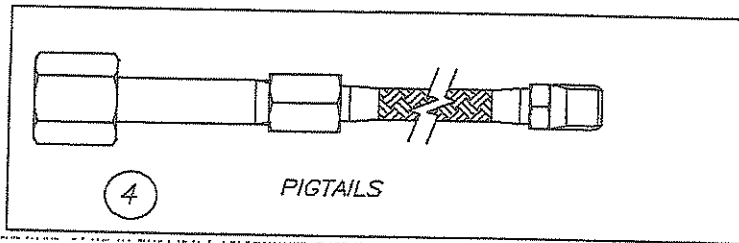
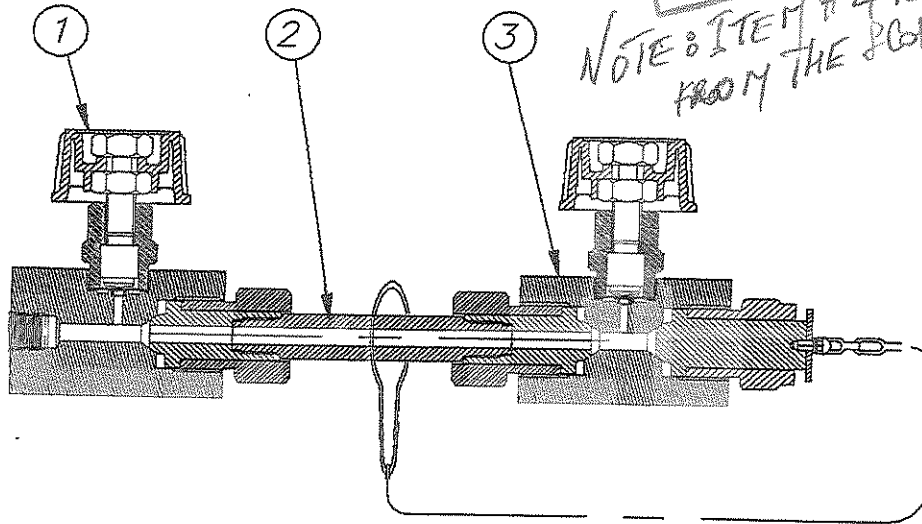
Item	CRN / Test Data / Exclusions
1	OH5216.5R1
2	6" brass - See 8292007 burst test attached
2	6" stainless - See 8294007 burst test attached
2	12" brass - See 8292008 burst test attached
2	12" stainless - See 8294008 burst test attached
3	OH5216.5R1
4	Excluded from this listing



THIS IS PART OF
CRN OH15806.5
Technical Standards & Safety Authority
Boilers & Pressure Vessel
Safety Program

NOTE: ITEM #4 IS EXCLUDED FROM THE SCOPE OF REGISTRY
led/can
FEB 12/13

Sketch:



Note:

Test results reflect testing of the highest rated inlet and outlet pressures of the entire series - testing the components with the thinnest wall thickness and weakest materials (worst case items in the design). All models in scope have same geometry, same materials of construction, same or lower pressure ratings, and the same temperature ratings as the tested items.

CONCOA CRN Testing Summary Sheet

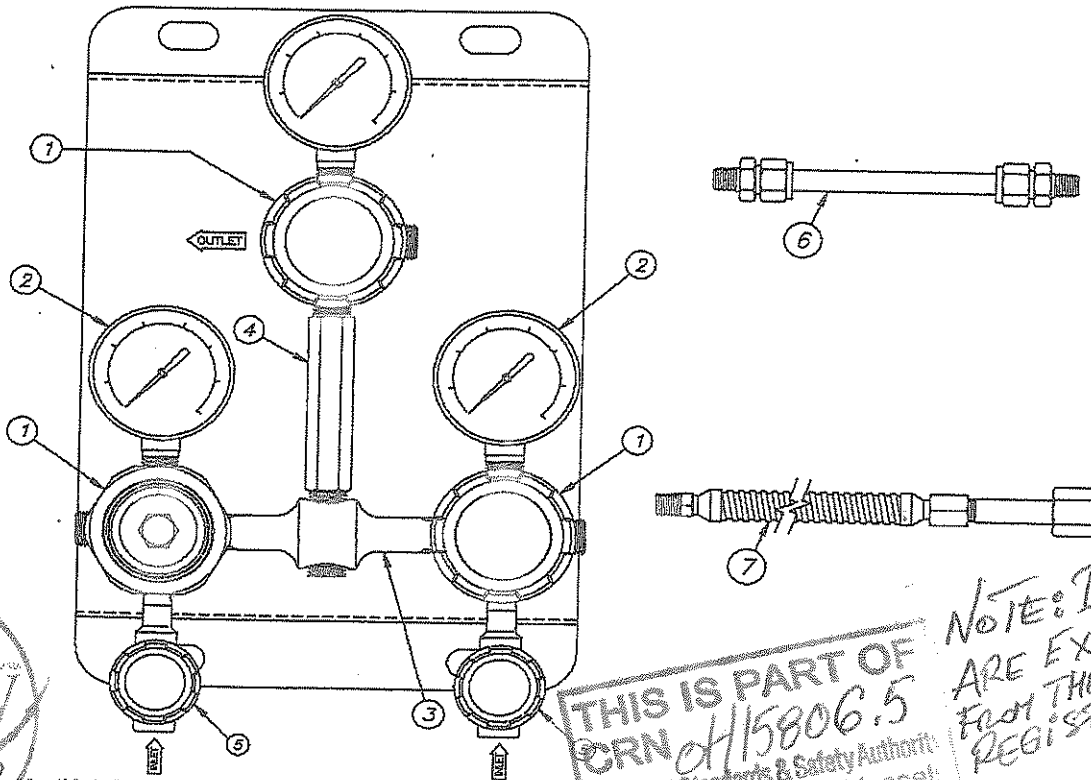
Package 9 - Type H
526/527/620

Scope: 526/527/620 Series Compressed Gas Systems (manifold connectors and pigtails on some models shall require a separate valid CRN - Items 6 and 7 from sketch below are excluded from this listing)

Comments: For items with existing CRN numbers, see attached sheet for pressure ratings. Total internal volume is well under 1.5 cu. ft.

Item	CRN / Test Data / Exclusions
1	OH5216.5R1
2	OF2026.2 or OF8241.5
3	See 8307641 and 8307643 burst tests attached
4	See 8308014 and 8308015 burst tests attached
5	OH5216.5R1
6	Excluded from this listing
7	Excluded from this listing

Sketch:



OH15806.5
Safety Authority
Aug. 2, 2013
J#51121

THIS IS PART OF
CRN OH15806.5
Technical Standards & Safety Authority
Boilers & Pressure Vessel
Safety Program

NOTE: ITEMS #6 & 7
ARE EXCLUDED
FROM THE SCOPE OF
REGISTER #121
FEB 12/13

Note: Test results reflect testing of the highest rated inlet and outlet pressures of the entire series - testing the components with the thinnest wall thickness and weakest materials (worst case items in the design). All models in scope have same geometry, same materials of construction, same or lower pressure ratings, and the same temperature ratings as the tested items.



14th Floor, Centre Tower
3300 Bloor Street West
Toronto, Ontario
Canada M8X 2X4
Tel: 416.734.3300
Fax: 416.231.1626
Toll Free: 1.877.682.8772

www.tssa.org

September 16, 2013

JOHN FRIEDRICHS
CONTROLS CORPORATION OF AMERICA
1501 HARPERS RD
VIRGINIA BEACH VA 23454
US

Service Request Type.: BPV-National BC
Service Request No.: 1068766
Your Reference No.: DISTRIBUTION SYSTEMS - PHASE 1- CAT H FITTING
Registered to.: CONTROLS CORPORATION OF AMERICA

Dear JOHN FRIEDRICHS,

Please find enclosed the original response from BC, registered under the CRN No.: 0H15806.51.

As all jurisdictional fees are handled by the Technical Standards and Safety Authority (TSSA), you do not pay any jurisdictions directly.

Should you have any questions or require further assistance, I will be happy to assist you. For general enquiries, please contact a Customer Service Advisor at 1.877.682.TSSA (8772) or e-mail customerservices@tssa.org. When contacting TSSA regarding this file, please refer to the Service Request number provided above.

Yours truly,

Tanya Francis
Administrative Assistant_ BPV Engineering
Tel.: 416-734-3423
Fax: 416-231-6183
Email: tfrancis@tssa.org



505 - 6th Street, Suite 200
New Westminster, BC V3L 0E1

Toll Free: 1-866-566-SAFE

Fax: (778) 396 - 2064

www.safetyauthority.ca

TECHNICAL STANDARDS & SAFETY AUTHORITY
14TH FLOOR CENTRE TOWER-3300 BLOOR STREE
TORONTO ON M8X 2X4

Date: August 2, 2013
Account #: 35231
Journal #: 57120
Our File #: 5457996

Attn: TANYA FRANCIS

Re: Application for Design Registration

The design, as detailed in your, TSSA Service Request No: 1068848, for a Fitting is accepted for registration as follows:

Registered To: CONTROLS CORPORATION OF AMERICA **CRN:** 0F15806.51

Drawing #: 8014405

Conditions Of Registration:

Registration of Concoa 700 Series Flowmeters.

This design was registered based on a technical review performed by the province of initial registration in accordance with the Association of Chief Inspectors policy on reciprocal recognition of design review.

Reviewer's Notes:

Per TSSA's Registration Letter, 8014405 flow-tube casing (LEXAN 103-1112 U.V. Stabilized Clear Polycarbonate) used. As required by CSA B51 4.2.1, this registration expires on February 11, 2023. This CRN is valid until the expiry date as long as the Manufacturer maintains a valid quality control program verified by an acceptable third-party agency until that date. Should the certification of the quality control program lapse before the expiry date, this registration shall become void.

Contact me if you have any questions. The invoice for registration will be forwarded under separate cover.

SHARON PETERS
(778) 396-2027
Sharon.Peters@safetyauthority.ca
Design Administration

cc:

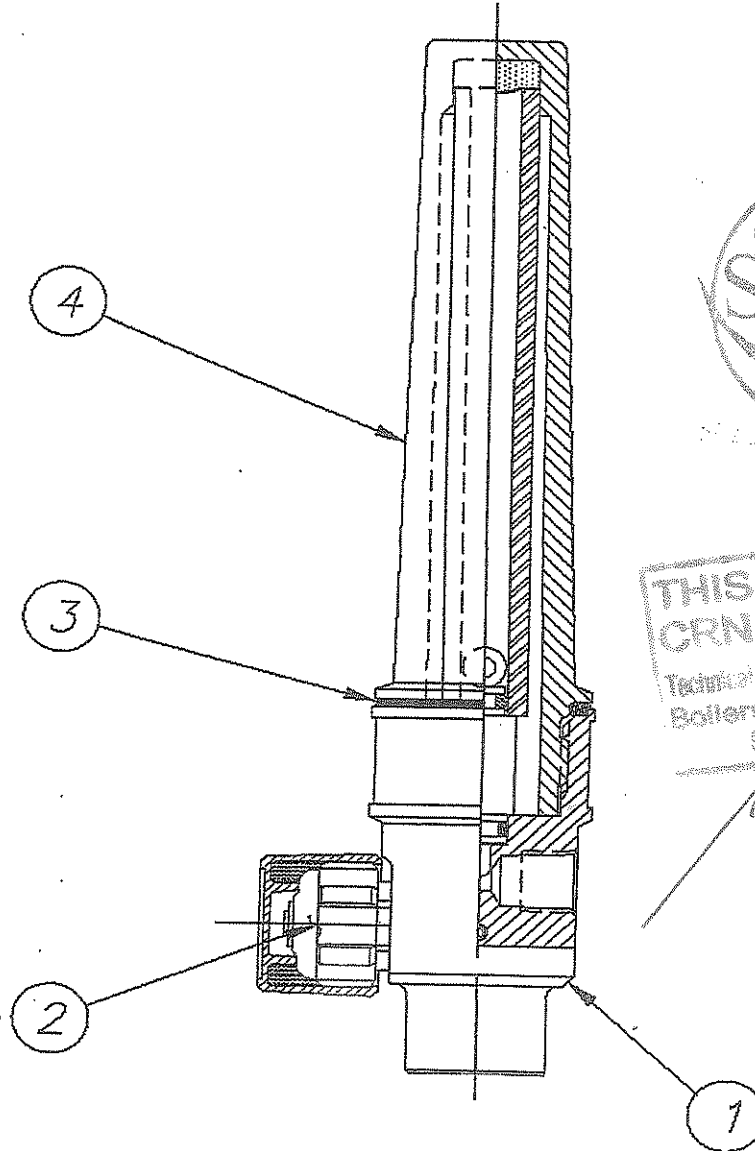
CONCOA CRN Testing Summary Sheet

Package 10 - Type F
700 Flowmeters

Scope: CONCOA 700 Series Style Flowmeters - using 8014405 flowtube casing

Comments: CONCOA 700 series style flowmeters consist of a brass body (Item 1 below), Valve or plug (Item 2 below), a blowout safety sealing ring (item 3 below), internal flowtube components, and an outer flowtube casing (Item 4 below). CONCOA uses 5 different bodies (Item 1), each having a different outlet connection (bottom of view); therefore, each of the bodies was burst tested to show compliance with CRN requirements (fully assembled into complete flowmeters using items shown below).

Sketch:



Note: Test results reflect testing of the highest rated inlet and outlet pressures of the entire series - testing the components with the thinnest wall thickness and weakest materials (worst case items in the design). All models in scope have same geometry, same materials of construction, same or lower pressure ratings, and the same temperature ratings as the tested items.



14th Floor, Centre Tower
3300 Bloor Street West
Toronto, Ontario
Canada M8X 2X4
Tel.: 416.734.3300
Fax: 416.231.1626
Toll Free: 1.877.682.8772

www.tssa.org

August 07, 2013

JOHN FRIEDRICHS
CONTROLS CORPORATION OF AMERICA
1501 HARPERS RD
VIRGINIA BEACH VA 23454
US

Service Request Type.: BPV-National AB
Service Request No.: 1068760
Your Reference No.: DISTRIBUTION SYSTEMS - PHASE 1- CAT H FITTING
Registered to.: CONTROLS CORPORATION OF AMERICA

Dear JOHN FRIEDRICHS,

Please find enclosed the original response from AB, registered under the CRN No.: 0H15806.52.

As all jurisdictional fees are handled by the Technical Standards and Safety Authority (TSSA), you do not pay any jurisdictions directly.

Should you have any questions or require further assistance, I will be happy to assist you. For general enquiries, please contact a Customer Service Advisor at 1.877.682.TSSA (8772) or e-mail customerservices@tssa.org. When contacting TSSA regarding this file, please refer to the Service Request number provided above.

Yours truly,

Tanya Francis
Administrative Assistant_ BPV Engineering
Tel. : 416-734-3423
Fax : 416-231-6183
Email : tfrancis@tssa.org



the pressure equipment safety authority

9410 - 20 Ave N.W.
Edmonton, Alberta, Canada T6N 0A4
Tel: (780) 437-9100 / Fax: (780) 437-7787

June 17, 2013

Attention: Tanya Francis
TECHNICAL STANDARDS & SAFETY AUTHORITY
3300 BLOOR STREET WEST
14 FLOOR CENTRE TOWER
TORONTO, ON M8X 2X4

The design submission, tracking number 2013-02247, originally received on March 27, 2013 was surveyed and accepted for registration as follows:

CRN : 0H15806.52

Accepted on: June 17, 2013

Reg Type: New Design

Expiry Date: February 06, 2023

Drawing No. : CONCOA GAS FITTINGS CATALOGUES

Fitting type: FITTING TYPES AND P/T RATINGS AS PER ATTACHMENT

Design registered in the name of : CONTROLS CORPORATION OF AMERICA

The registration is conditional on your compliance with the following notes:

TSSA SR# 1068760/ CRN 0H15806.5

The fittings types and Pressure & Temperature ratings are as per the 8 pages attached to the Statutory Declaration.

This registration is valid only for fittings fabricated at the location(s) covered by the QC certificate attached to the accepted AB-41 Statutory Declaration form. This registration is valid only until the indicated expiry date only if the Manufacturer maintains a valid quality management system approved by an acceptable third-party agency until that date. Should the approval of the quality management system lapse before the expiry date indicated above, this registration shall become void.

An invoice covering survey and registration fees will be forwarded from our Revenue Accounts.

Enclosed are stamped prints for your reference.

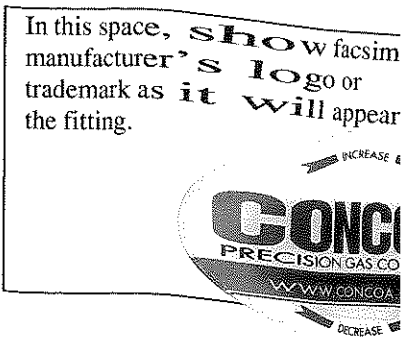
Sincerely,

PREDA, DRAGOS, P. Eng.



the pressure equipment safety authority

STATUTORY DECLARATION
Registration of Fittings



I, John Friedrichs

Engineer II

(company title, e.g. vice president, plant manager, chief engineer) (must be in a position of authority)

of Controls Corporation of America

(name of manufacturer)

located at 1501 Harpers Road, Virginia Beach, VA 23454 USA

(plant address)

do solemnly declare that the fittings listed hereunder, which are subject to the Safety Codes Act (check one)

comply with the requirements of _____ which specifies the dimensions, (title of recognized North American Standard)

materials of construction, pressure/temperature ratings and identification marking of the fittings, or

are not covered by the provisions of a recognized North American standard and are therefore manufactured to comply with 4x max pressure burst test as supported by the attached data which identifies the dimensions, materials of construction, pressure/temperature ratings and the basis for such ratings, and the marking of the fittings for identification.

I further declare that the manufacture of these fittings is controlled by a quality control program which has been verified by the following authority, Intertek Services Corporation as being suitable for the manufacture of these fittings to the stated standard. The fittings covered by this declaration, for which I seek registration, are ISO 9001

In support of this application, the following information, calculations and/or test data are attached:

Catalog pages, Drawings, Excel Spreadsheets, and burst test data

DECLARED before me at VIRGINIA BEACH in the STATE of VIRGINIA

this 1 day of FEB, 2013
(Month) (Year)

(print) MICHAEL KIVING

(sign) _____

[Signature]
(Signature of Applicant)

7015528 (A Commissioner for Oaths) 31 MAY 2014 EXP

For Office Use Only

See Acceptance Letter for the comments and/or conditions of registration.

To the best of my knowledge and belief, the application meets the requirements of the Safety Codes Act and CSA Standard B51, Clause 4.2, and is accepted for registration in Category HU

Registration Number: OH 15806.52

Date Registered: JUN 17 2013

(For the Administrator/Chief Inspector of Alberta)
Expiry Date: 2023/02/06

CONCOA CRN Testing Summary Sheet

Package 2 - Type H
529007X

Scope: 529007X Station Drop Compressed Gas Systems

Comments: For items with existing CRN numbers, see attached sheet for pressure ratings. Total internal volume is well under 1.5 cu. ft.

Item	CRN / Test Data / Exclusions
1	OA8728.5
2	OA8728.5
3	See 8350471 burst test data attached
4	OA8728.5
5	OA8728.5
6	OA8728.5
7	See 8030434 burst test data attached

ASCA

SAFETY CODES ACT - PROVINCE OF ALBERTA

REGISTRATION OF FITTINGS

REGISTRATION NO. OH 15806.52

DWG. NO. or CAT. NO. max. 300 psi

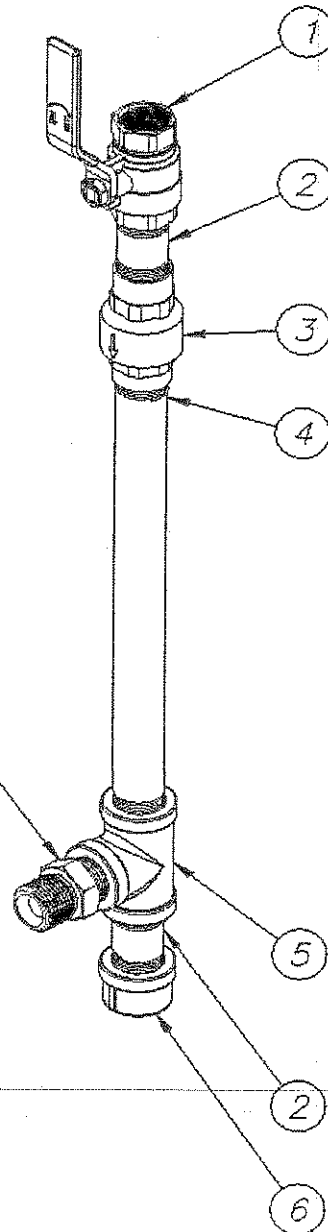
TYPE OF FITTINGS @ -40°/140°F

Date JUN 17 2013 INITIALS Prede

Date _____ INITIALS _____

DRAGOS PREDA, P.Eng.
DESIGN SURVEY ENGINEER

Sketch:



Note:

Test results reflect testing of the highest rated inlet and outlet pressures of the entire series - testing the components with the thinnest wall thickness and weakest materials (worst case items in the design). All models in scope have same geometry, same materials of construction, same or lower pressure ratings, and the same temperature ratings as the tested items.

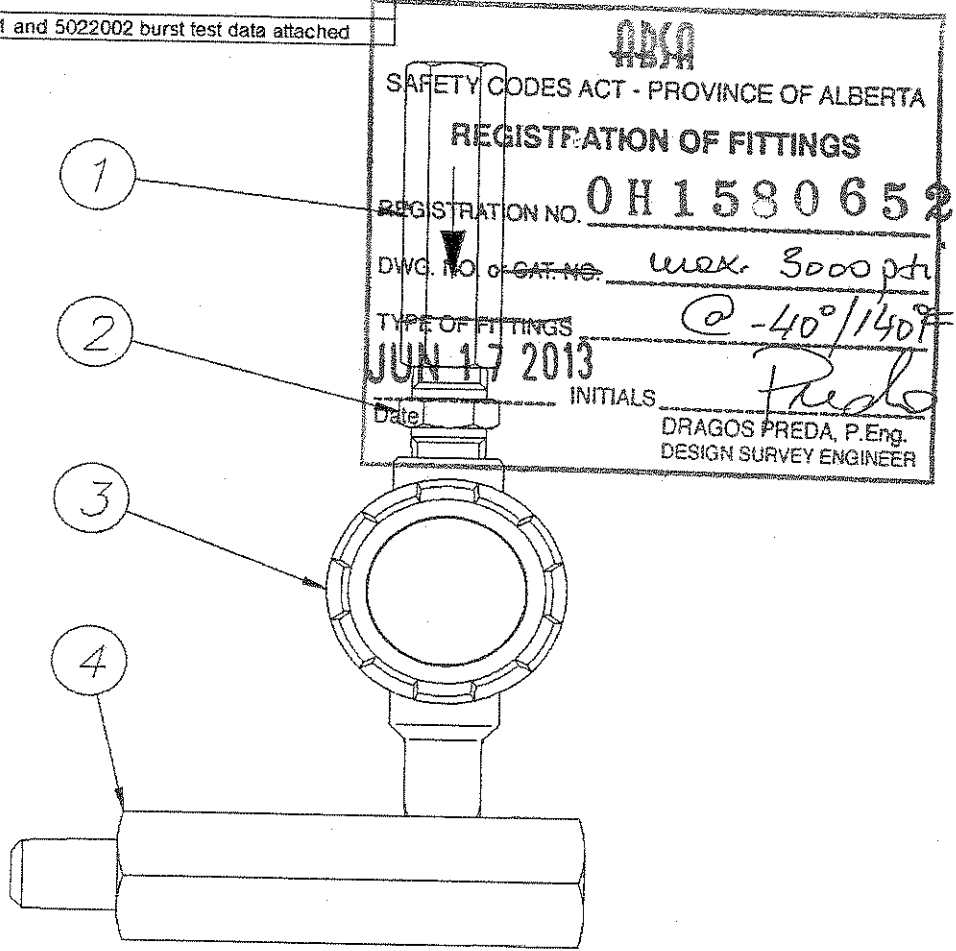
CONCOA CRN Testing Summary Sheet

Package 3 - Type H
5022XXX

Scope: 5022XXX Compressed Gas Tee Purge Systems

Comments: For items with existing CRN numbers, see attached sheet for pressure ratings. Total internal volume is well under 1.5 cu. ft.

Item	CRN / Test Data / Exclusions
1	OC12577 5C
2	See 5534104 burst test data attached
3	OH5216.5R1
4	See 5022001 and 5022002 burst test data attached



Sketch:

Note:

Test results reflect testing of the highest rated inlet and outlet pressures of the entire series - testing the components with the thinnest wall thickness and weakest materials (worst case items in the design). All models in scope have same geometry, same materials of construction, same or lower pressure ratings, and the same temperature ratings as the tested items.

CONCOA CRN Testing Summary Sheet

Package 4 - Type H
628

Scope:

628 Manifold Compressed Gas Systems (pigtailes on some models shall require a separate valid CRN - Items 4 from sketch below is excluded from this listing)

Comments:

For items with existing CRN numbers, see attached sheet for pressure ratings. Total internal volume is well under 1.5 cu. ft.

Item	CRN / Test Data / Exclusions
1	See 8291849 burst test data attached
2	6" extension - See 8291851 burst test data attached
3	12" extension - See 8291847 burst test data attached
4	Excluded from this listing

~~0000~~

SAFETY CODES ACT - PROVINCE OF ALBERTA

REGISTRATION OF FITTINGS

REGISTRATION NO. **0H1580652**

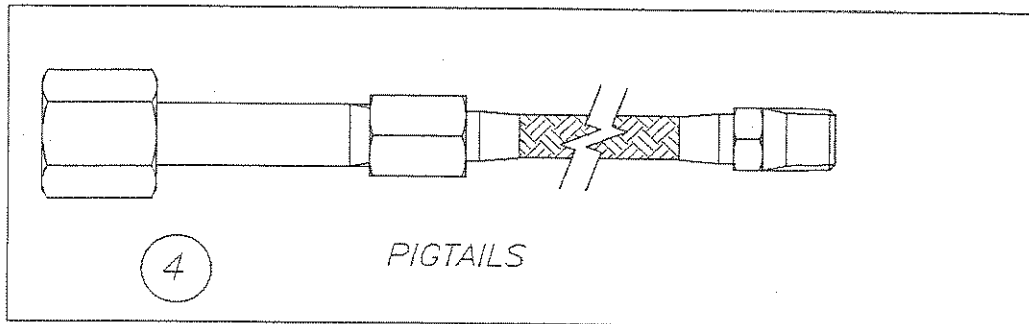
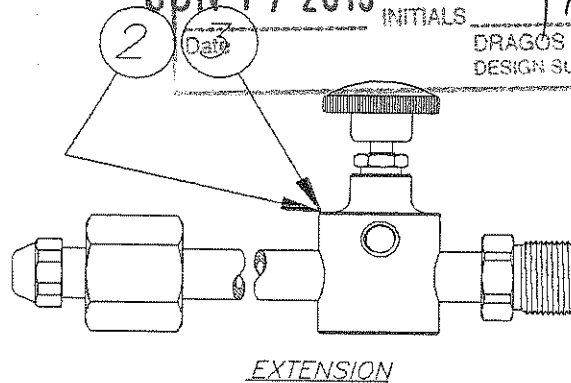
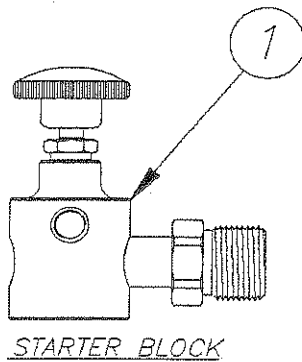
DWG. NO. or CAT. NO. max 3000 psi

TYPE OF FITTINGS @ -46°/140°F

JUN 17 2013 INITIALS Prede

DRAGOS PREDA, P.Eng.
DESIGN SURVEY ENGINEER

Sketch:



Note:

Test results reflect testing of the highest rated inlet and outlet pressures of the entire series - testing the components with the thinnest wall thickness and weakest materials (worst case items in the design). All models in scope have same geometry, same materials of construction, same or lower pressure ratings, and the same temperature ratings as the tested items.

CONCOA CRN Testing Summary Sheet

Package 5 - Type H
631/633

Scope:

631/633 Series Compressed Gas Systems (manifolds on some models shall require a separate valid CRN - Items 8,9 and 10 from sketch below are excluded from this listing)

Comments:

For items with existing CRN numbers, see attached sheet for pressure ratings. Total internal volume is well under 1.5 cu. ft.

Item	CRN / Test Data / Exclusions
1	OF11809.2
2	OH7770.5R1
3	See 8306499 burst test attached
4	CRN OA4093.2
5	See 8291839 burst test attached
6	See 8291840 burst test attached
7	See 8306498 burst test attached
8	Excluded from this listing
9	Excluded from this listing
10	Excluded from this listing

SAFETY CODES ACT - PROVINCE OF ALBERTA
REGISTRATION OF FITTINGS

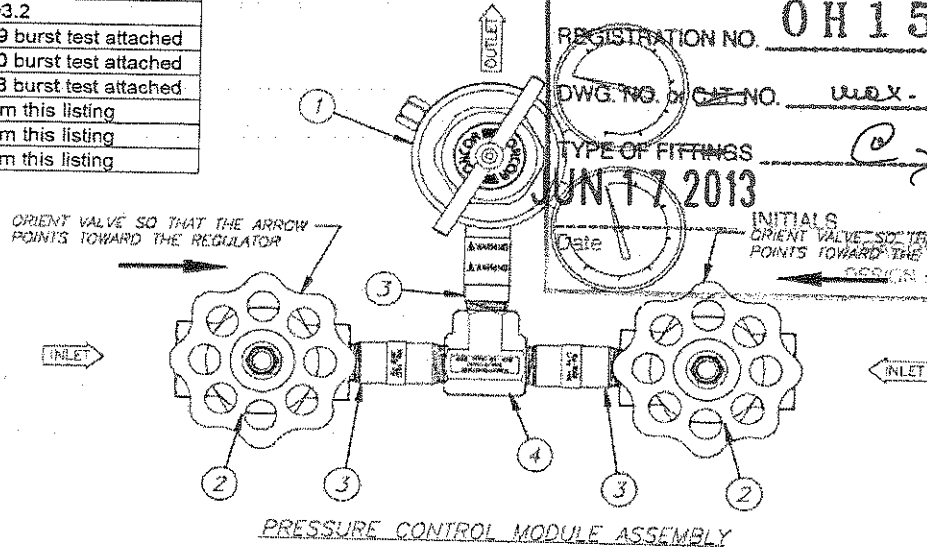
REGISTRATION NO. **OH 1580652**

DWG. NO. OF SET NO. **max. 3000 psi**

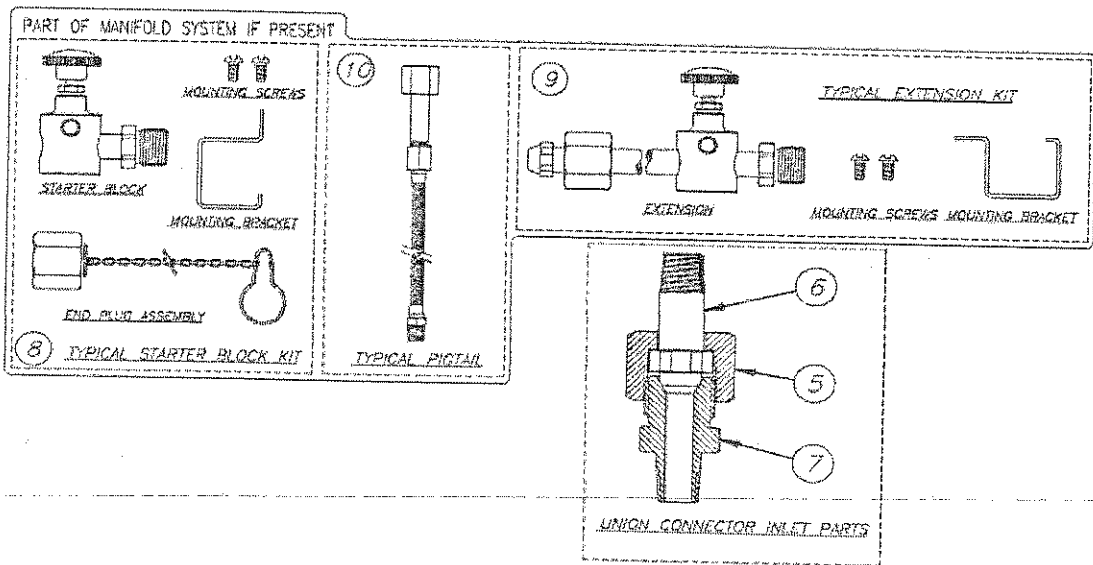
TYPE OF FITTINGS **@ - 40°/140° F**

JUN 17 2013

INITIALS **Prado**
ORIENT VALVE SO THAT THE ARROW POINTS TOWARD THE REGULATOR
DESIGN SURVEY ENGINEER



Sketch:



Note:

Test results reflect testing of the highest rated inlet and outlet pressures of the entire series - testing the components with the thinnest wall thickness and weakest materials (worst case items in the design). All models in scope have same geometry, same materials of construction, same or lower pressure ratings, and the same temperature ratings as the tested items.

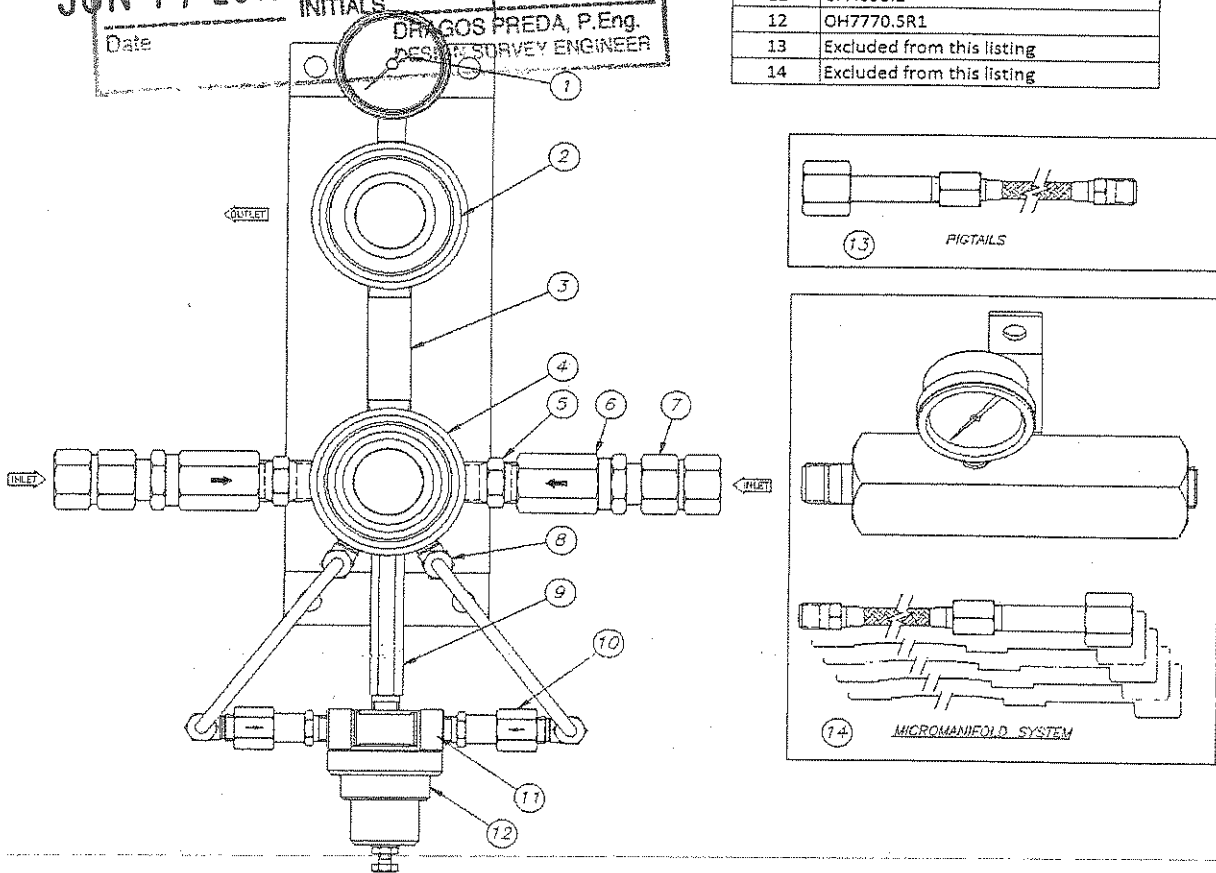
Scope: 632 Series Compressed Gas Systems (manifolds and pigtails on some models shall require a separate valid CRN - Items 13 and 14 from sketch below are excluded from this listing)

Comments: For items with existing CRN numbers, see attached sheet for pressure ratings. Total internal volume is well under 5 cu. ft.

SAFETY CODES ACT - PROVINCE OF ALBERTA
REGISTRATION OF FITTINGS
 REGISTRATION NO. **OH 1580652**
 DWG. NO. or CAT. NO. **max 4,500 psi**
 TYPE OF FITTINGS **@ -40°/140°F**
JUN 17 2013
 Date
 INITIALS **Prede**
DRAGOS PREDA, P.Eng.
 DESIGN SURVEY ENGINEER

Item	CRN / Test Data / Exclusions
1	OF8241.5 or OF2026.2
2	OF11809.2
3	See 8306230 burst test attached
4	See 632 Switch Reg burst test attached
5	See 8306499 burst test attached
6	OA12577.5C or OA4093.2
7	OA12577.5C
8	OA12577.5C, OA4093.2 or OA9866.5
9	OA12577.5C, OA4093.2 or OA9866.5
10	OA12577.5C
11	OA4093.2
12	OH7770.5R1
13	Excluded from this listing
14	Excluded from this listing

Sketch:



Note:

Test results reflect testing of the highest rated inlet and outlet pressures of the entire series - testing the components with the thinnest wall thickness and weakest materials (worst case items in the design). All models in scope have same geometry, same materials of construction, same or lower pressure ratings, and the same temperature ratings as the tested items.

CONCOA CRN Testing Summary Sheet

Package 8 - Type H
52B, 52C, 52S

Scope: 52B, 52C and 52S Manifold Compressed Gas Systems (pigtails on some models shall require a separate valid CRN - Items 4 from sketch below is excluded from this listing)

Comments: For items with existing CRN numbers, see attached sheet for pressure ratings. Total internal volume is well under 1.5 cu. ft.

Item	CRN / Test Data / Exclusions
1	OH5216.5R1
2	6" brass - See 8292007 burst test attached
2	6" stainless - See 8294007 burst test attached
2	12" brass - See 8292008 burst test attached
2	12" stainless - See 8294008 burst test attached
3	OH5216.5R1
4	Excluded from this listing

ASCA

SAFETY CODES ACT - PROVINCE OF ALBERTA

REGISTRATION OF FITTINGS

REGISTRATION NO. OH15806.52

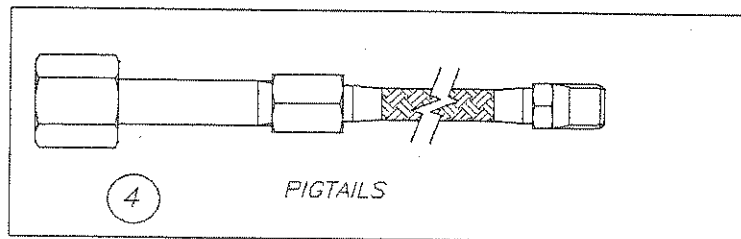
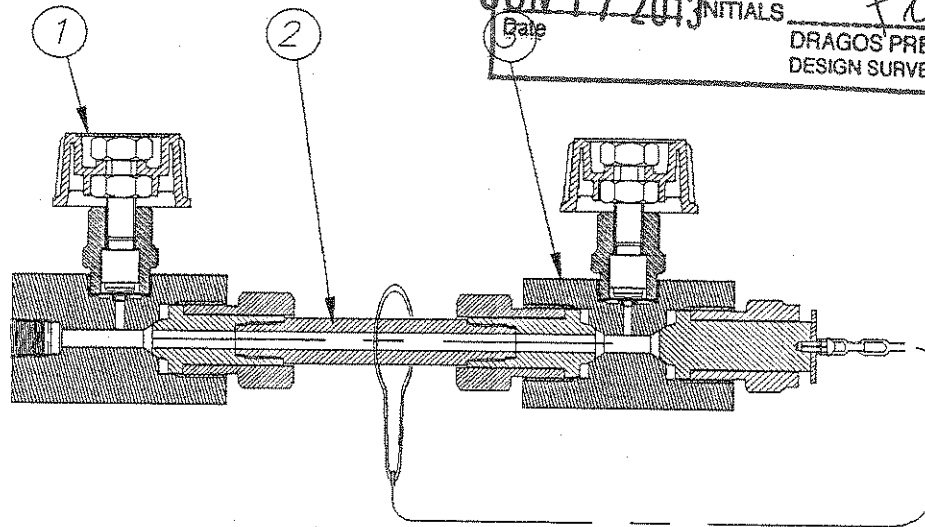
DWG. NO. or GAT. NO. 3000 psi

TYPE OF FITTINGS @ -40°/140°F

JUN 17 2013 INITIALS Predo

DRAGOS PREDA, P.Eng.
DESIGN SURVEY ENGINEER

Sketch:



Note:

Test results reflect testing of the highest rated inlet and outlet pressures of the entire series - testing the components with the thinnest wall thickness and weakest materials (worst case items in the design). All models in scope have same geometry, same materials of construction, same or lower pressure ratings, and the same temperature ratings as the tested items.

CONCOA CRN Testing Summary Sheet

Package 7 - Type H
629

Scope: 629 Series Micro Manifold Compressed Gas Systems

Comments: For items with existing CRN numbers, see attached sheet for pressure ratings. Total internal volume is well under 1.5 cu. ft.

Item	CRN / Test Data / Exclusions
1	Excluded from this listing
2	See 8350080 burst test data attached
3	See 8309746 burst test data attached
4	Excluded from this listing
5	Excluded from this listing

~~1577~~

SAFETY CODES ACT - PROVINCE OF ALBERTA
REGISTRATION OF FITTINGS

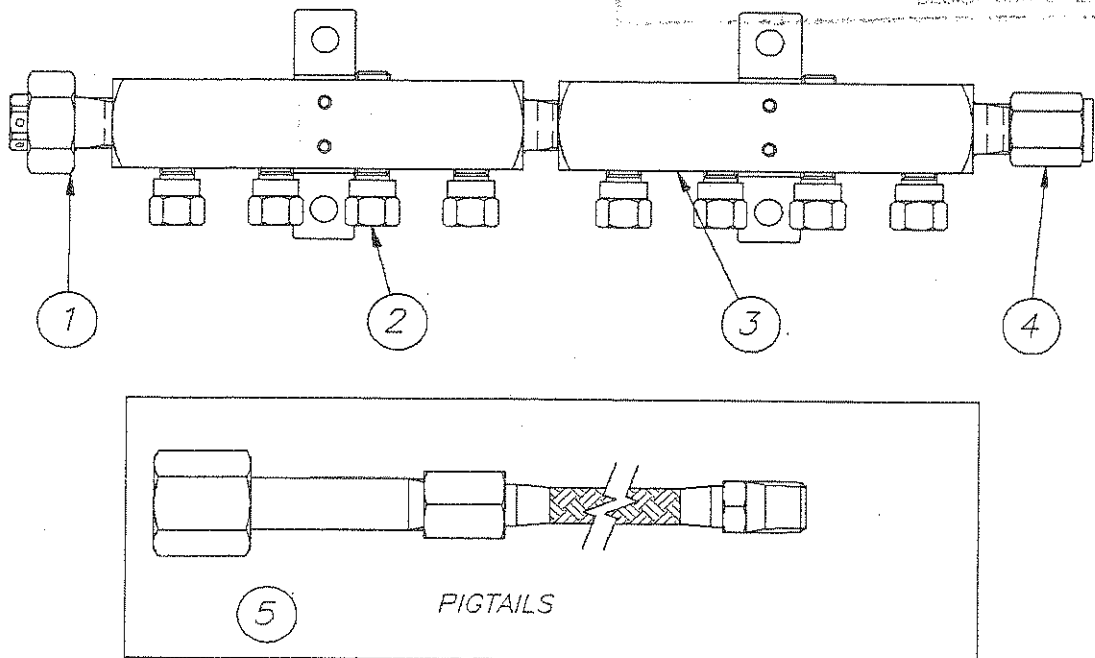
REGISTRATION NO. 0H1580652

DWG. NO. or CAT. NO. max 4500 psi

TYPE OF FITTINGS @ -320°/165°F

JUN 17 2013 INITIALS Preda
Date DRAGOS PREDA, P.Eng.
DESIGN SURVEY ENGINEER

Sketch:



Note:

Test results reflect testing of the highest rated inlet and outlet pressures of the entire series - testing the components with the thinnest wall thickness and weakest materials (worst case items in the design). All models in scope have same geometry, same materials of construction, same or lower pressure ratings, and the same temperature ratings as the tested items.

CONCOA CRN Testing Summary Sheet

Package 9 - Type H
526/527/620

Scope: 526/527/620 Series Compressed Gas Systems (manifold connectors and pigtails on some models shall require a separate valid CRN - Items 6 and 7 from sketch below are excluded from this listing)

Comments: For items with existing CRN numbers, see attached sheet for pressure ratings. Total internal volume is well under 1.5 cu. ft.

SAFETY CODES ACT - PROVINCE OF ALBERTA

REGISTRATION OF FITTINGS

REGISTRATION NO. **OH15306.5 2**

~~DWG. NO. of CAT. NO.~~ **max. 6000 psi @**

TYPE OF FITTINGS **-40°/140°**

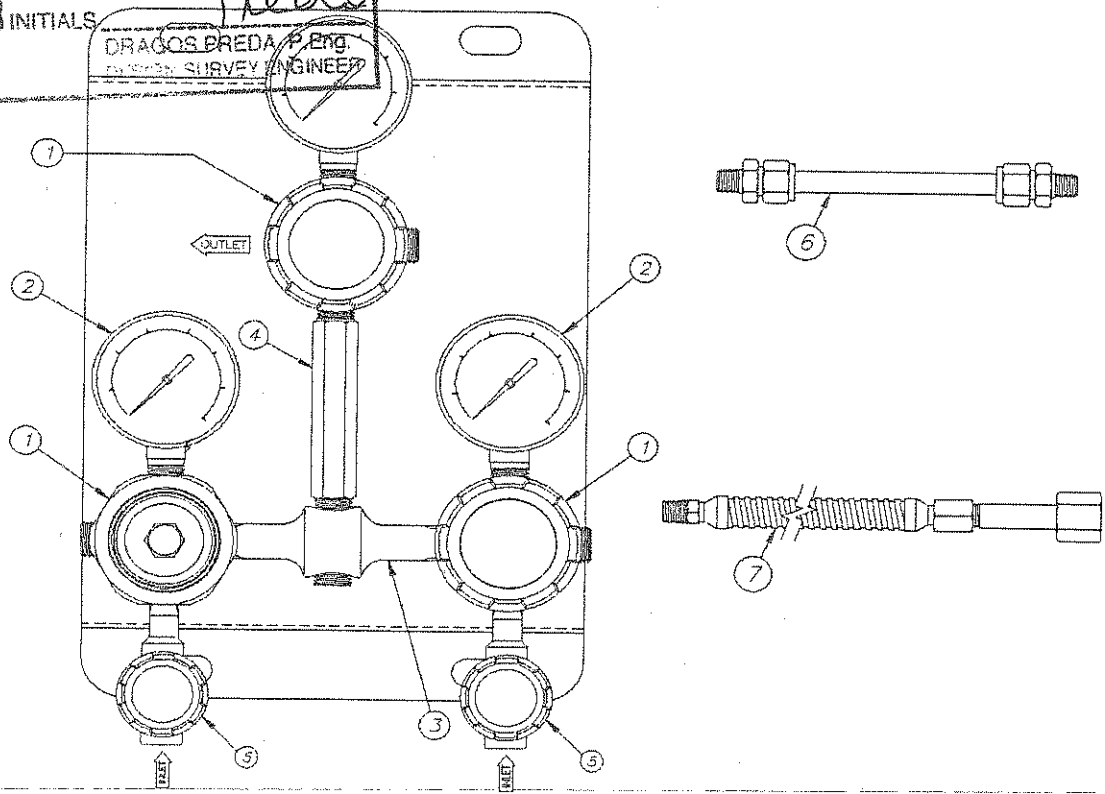
Prelo

DRAGOS PREDAI, P. ENG.
REGISTERED SURVEY ENGINEER

JUN 17 2013 INITIALS _____
Date

Item	CRN / Test Data / Exclusions
1	OH5216.5R1
2	OF2026.2 or OF8241.5
3	See 8307641 and 8307643 burst tests attached
4	See 8308014 and 8308015 burst tests attached
5	OH5216.5R1
6	Excluded from this listing
7	Excluded from this listing

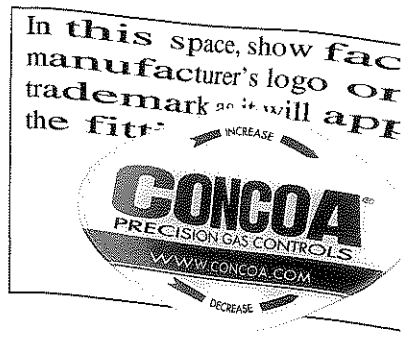
Sketch:



Note: Test results reflect testing of the highest rated inlet and outlet pressures of the entire series - testing the components with the thinnest wall thickness and weakest materials (worst case items in the design). All models in scope have same geometry, same materials of construction, same or lower pressure ratings, and the same temperature ratings as the tested items.



STATUTORY DECLARATION
Registration of Fittings



I, John Friedrichs,
Engineer II
(company title, e.g. vice president, plant manager, chief engineer) (must be in a position of authority)
of Controls Corporation of America
(name of manufacturer)

located at 1501 Harpers Road, Virginia Beach, VA 23454 USA
(plant address)

do solemnly declare that the fittings listed hereunder, which are subject to the Safety Codes Act (check one)

- comply with the requirements of _____ which specifies the dimensions, materials of construction, pressure/temperature ratings and identification marking of the fittings, or
- are not covered by the provisions of a recognized North American standard and are therefore manufactured to comply with 4x max pressure burst test as supported by the attached data which identifies the dimensions, materials of construction, pressure/temperature ratings and the basis for such ratings, and the marking of the fittings for identification.

I further declare that the manufacture of these fittings is controlled by a quality control program which has been verified by the following authority, Intertek Services Corporation as being suitable for the manufacture of these fittings to the stated standard. The fittings covered by this declaration, for which I seek registration, are ISO 9001

In support of this application, the following information, calculations and/or test data are attached:
Catalog pages, Drawings, Excel Spreadsheets, and burst test data

DECLARED before me at VIRGINIA BEACH in the STATE of VIRGINIA

this 1 day of FEB, 2013
(Month) (Year)

(print) MICHAEL IRVING

(Signature of Applicant)

(sign) _____
(A Commissioner for Oaths) 31 MAY 2014 EXPI #7015528

For Office Use Only

To the best of my knowledge and belief, the application meets the requirements of the Safety Codes Act and CSA Standard B51, Clause 4.2, and is accepted for registration in Category _____

Registration Number: _____

Date Registered: _____

(For the Administrator/Chief Inspector of Alberta)
Expiry Date: _____