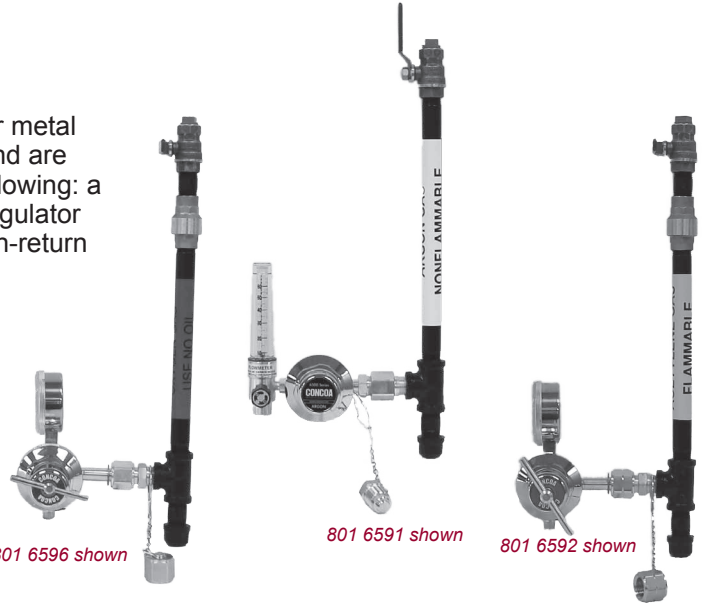


POINT OF USE EQUIPMENT



STATION DROPS

CONCOA station drops provide the perfect point of use for metal fabrication pipelines. They come completely assembled and are ready to install out of the box. Drops include one of the following: a high-flow 6590 series regulator, a high-flow 9940 series regulator or flowmeters. Additionally, station valves have built in non-return valves to meet NFPA 51 and OSHA requirements.



DISTRIBUTION SYSTEMS

Applications	Materials of Construction	Specifications
Welding, Cutting & Heating MIG/TIG Welding	Regulator Body Forged brass - For 801 65XX Brass Barstock - For 801 99XX Regulator Bonnet Chrome-plated brass Seat PTFE - For 801 65XX Nitrile - For 801 99XX Isolation Valve Brass barstock Station Drop Tube Black iron	Max Inlet Pressure 200 PSIG Temperature Range -40 to 140° F (-40 to 66° C)
		CRN 0H15806.5

Ordering Information				
Part Number	Gas Service	Style	Equipment	Outlet Connection
801 6590-01-1	Inerts (Nitrogen, Helium, Argon)	Gas Saver Regulator	806 6590	"B" 5/8"-18 RH Int.
801 6591-01-1	Inerts (Nitrogen, Helium, Argon)	Flowmeter Regulator	806 6591	"B" 5/8"-18 RH Int..
801 6592-01-1	Acetylene	Regulator	806 6592	"B" 9/16"-18 LH Ext.
801 6594-01-1	Inerts (Nitrogen, Helium, Argon)	Dual Flowmeter Regulator	806 6594	"B" 5/8"-18 RH Int.
801 6595-01-1	Inerts (Nitrogen, Helium, Argon)	Regulator	806 6595	"B" 5/8"-18 RH Int.
801 6596-01-1	Oxygen	Regulator	806 6596	"B" 9/16"-18 RH Ext.
801 6597-01-1	Inerts (Nitrogen, Helium, Argon)	Flowmeter Regulator	806 6597	"B" 5/8"-18 RH Int..
801 6599-01-1	Fuel Gases (Propylene, Propane, Natural Gas)	Regulator	806 6599	"B" 9/16"-18 LH Ext.
801 9720-01-1	Argon/Carbon Dioxide	Flowmeter	805 0720	"B" 5/8"-18 RH Ext.
801 9721-01-1	Argon/Helium	Flowmeter	805 0721	"B" 5/8"-18 RH Ext.
801 9722-01-1	Argon/Carbon Dioxide	Dual Flowmeter	805 0722	"B" 5/8"-18 RH Ext.
801 9723-01-1	Argon/Helium	Dual Flowmeter	805 0723	"B" 5/8"-18 RH Ext.
801 9940-01-1	Oxygen	Regulator	806 9940	"B" 9/16"-18 RH Ext.
801 9943-01-1	Acetylene	Regulator	806 9943	"B" 9/16"-18 LH Ext.
801 9945-01-1	Inerts (Nitrogen, Helium, Argon)	Regulator	806 9945	"B" 5/8"-18 RH Ext.
801 9949-01-1	Fuel Gases (Propylene, Propane, Natural Gas)	Regulator	806 9949	"B" 9/16"-18 LH Ext.