

67B SERIES

Assist
Gas Supply

67B SERIES



The 67B series high-pressure, ultra-high flow regulator is designed to provide steady and reliable control from liquid and high pressure gas sources requiring delivery pressures up to 750 PSIG and flow rates up to 24,000 SCFH. The ISOFLOW technology enables constant outlet pressure regardless of inlet pressure fluctuations while the 1/2" and 3/4" porting sizes and 2.3 Cv enable the highest possible flow rates. Combined with robust materials of construction and a low static design, the 67B series is the ideal choice for liquid and high pressure source applications.

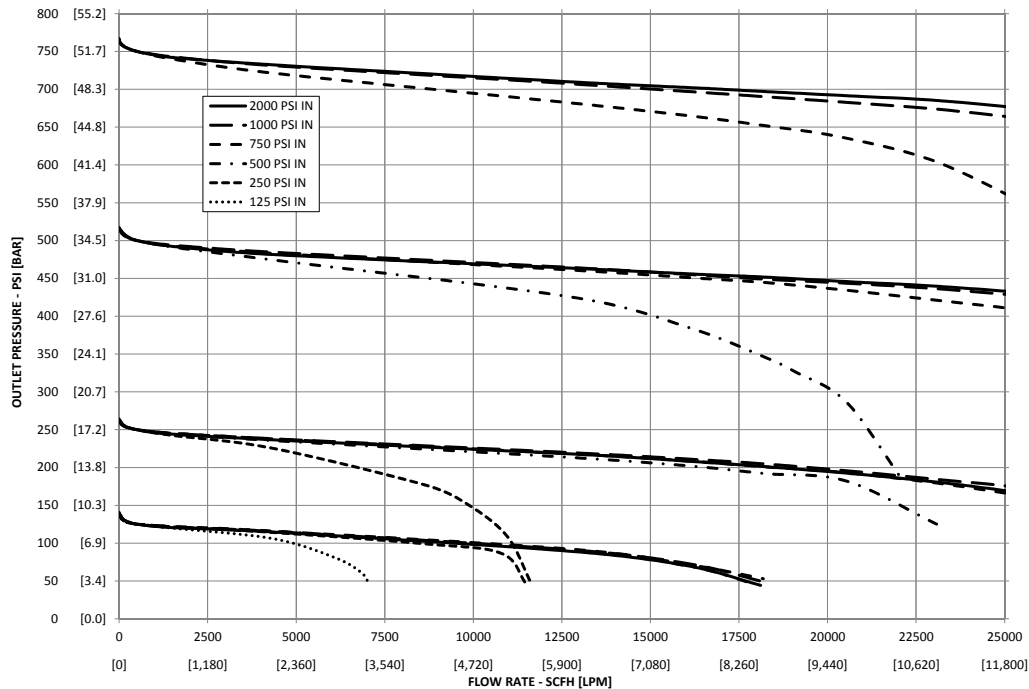
Advanced Features

LOW STATIC DESIGN	Liquid or high pressure cylinder use
DELIVERY OPTIONS UP TO 750 PSIG	Broad range of applications
FRONT AND REAR PANEL MOUNTABLE	Flexible installation
40-MICRON INTERNAL FILTER	Limits possibility of gas contamination

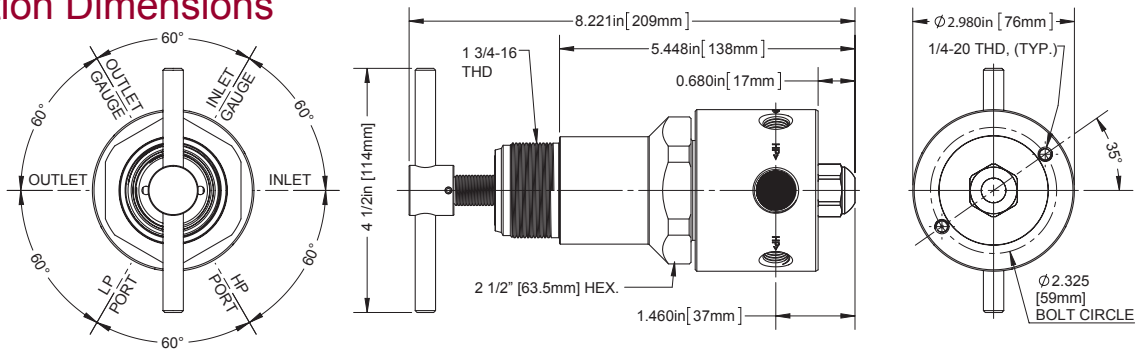
67B 5330 F000 shown

Applications	Materials of Construction	Specifications
Micro Bulk or Bulk Supply Systems Nitrogen Oxygen	Body Brass barstock	Max Inlet Pressure 3000 PSIG (210 BAR)
Fiber Laser Assist Gas Supply Nitrogen Oxygen Air Argon	Bonnet Brass barstock	Temperature Range -40°F to 140°F (-40°C to 60°C)
Assist Gas Delivery from High Pressure Supply Nitrogen Oxygen	Seat Viton® or EPDM	Gauges 2-1/2" dual scale (ANSI/ASME B40.1)
	Dynamic Cartridge Brass barstock	Inlet and Outlet Connections 1/2" or 3/4" FPT (primary ports) 1/4" FPT (auxiliary ports)
	Internal Seals PTFE and Viton	Cv 2.3
	Filter 40 micron 316L stainless steel	Weight 7.3lbs (3.3kg)

Flow Performance Curves



Installation Dimensions



Ordering Information

67B	A	B	C	D	CON	Options	
Series	Outlet Pressure	Outlet Gauge	Inlet Gauge	Outlet Assemblies	Assembly/Gauges	Inlet	Seat
67B	1: 0-125 PSIG (0-9 BAR)	0-200 PSIG (0-15 BAR)	0: None	0: None	0: 1/2" FPT ports (Bare body)	TF8: 1/2" brass compression tube	R: Viton®*
	2: 0-250 PSIG (0-17 BAR)	0-400 PSIG (0-27 BAR)	3: 0-4000 PSIG (0-275 BAR)	1: 1/2" MPT	1: 1/2" FPT ports, right inlet (PSI/kPA gauges)	TFC: 3/4" brass compression tube	C: EPDM†
	5: 0-500 PSIG (0-35 BAR)	0-1000 PSIG (0-70 BAR)	5: 0-1000 PSIG (0-70 BAR)	2: 3/4" MPT	2: 1/2" FPT ports, right inlet (BAR/PSIG gauges)	M12: 12mm brass compression tube	*Not for Carbon Dioxide or Nitrous Oxide
	7: 0-750 PSIG (0-52 BAR)	0-1000 PSIG (0-70 BAR)	6: 0-400 PSIG (0-27 BAR)	3: 1/2" brass compression tube	6: 1/2" NPT ports, left inlet (PSI/kPA gauges)	VF8: 1/2" stainless steel compression tube	†Not for oxidizers and certain hydrocarbons
			9: 0-600 PSIG (0-40 BAR)	4: 3/4" brass compression tube	7: 1/2" NPT ports, left inlet (BAR/PSIG gauges)	VFC: 3/4" stainless steel compression tube	
				5: 12mm brass compression tube	A: 3/4" NPT ports (Bare body)	V12: 12mm stainless steel compression tube	
				6: 1/2" stainless steel compression tube	B: 3/4" NPT ports, right inlet (PSI/kPA gauges)	F37: 37" flare	
				7: 3/4" stainless steel compression tube	C: 3/4" NPT ports, right inlet (BAR/PSIG gauges)	CGA, DIN 477, and BS 341 cylinder connections available with 1/2" NPT models only	
				8: 12mm stainless steel compression tube	F: 3/4" NPT ports, left inlet (PSI/kPA gauges)		
				9: 37" flare	G: 3/4" NPT ports, left inlet (BAR/PSIG gauges)		