

# 577 SERIES CRYOWIZ™



The CONCOA CryoWiz™ delivers a continuous supply of liquid nitrogen from a primary and secondary source automatically with no temperature change. The CryoWiz uses a proprietary algorithm and precise pressure and temperature sensors to monitor the demand for and supply of the liquid nitrogen. With a unique insulated switching mechanism, high flow pneumatic valves, and hot gas bypass programming, the CryoWiz automatically switches sources with virtually no change in delivered cryogenic temperature. Ensuring both consistent temperature and continuous supply, the CryoWiz is ideal for critical cryogenic applications such as cryopreservation, control rate freezers, and environmental chambers.

## Typical Applications

- Cryopreservation
- Control Rate Freezers
- Environmental Chambers
- Subambient Gas Chromatography
- Cryogenic Research



577 1013-100 Shown

## Features

**High Flow Pneumatic Control Valves** accommodate multiple freezers

**Automatic Proprietary Control Algorithm** ensures continuous efficient supply of liquid nitrogen

**Insulated Switching Mechanism** reduces heat transfer to deliver cryogen with no change in temperature

**Dynamic Hot Gas Bypass** minimizes flash loss of liquid

**Ethernet Port/Webserver** permits remote monitoring of functions, e-mail alerts, and remote configuration

**Oxygen Deficiency Monitor Input** ensures OSHA safe use

**Local Audible and Visual Alarm** enables on-board emergency monitoring

**Selectable "Keep-full" or "On-demand" Operation Mode** supports new applications with the push of a button

**Optional Altos 2 or Advantium 16 Remote Alarm** provides audible and visible warnings of cylinder depletion

## Materials and Specifications

**Enclosure:** Powder coated NEMA 12

**Internals:** Brass barstock

**Cryogenic Relief Valves:** 50 PSIG (3.5 BAR); 1/2" FPT

**Hot Gas Bypass:** 1/2" FPT

**Maximum Inlet Pressure:** 35 PSIG (2.4 BAR)

**Inlet Connection:** CGA 295

**Outlet Connection:** 1/2" FPT or CGA 295

**Drain:** 1/2" PVC

**Alarm Output:** 1 or 5 dry contact NC

**Alarm Inputs:** O<sub>2</sub> deficiency relay

**Gaseous Dry Nitrogen:**\* 10 PSIG (7.5 BAR) max - 100 PSIG (6.9 BAR) min; Inlet: 1/8" FPT \* Required for pneumatics

**Communication Ports:** Ethernet; USB (maintenance only)

**Power:** 90-264 VAC, 47-63 Hz (US, UK, European, Australian, and Chinese adapters included)

**Weight:** 40 lbs (18 kg)

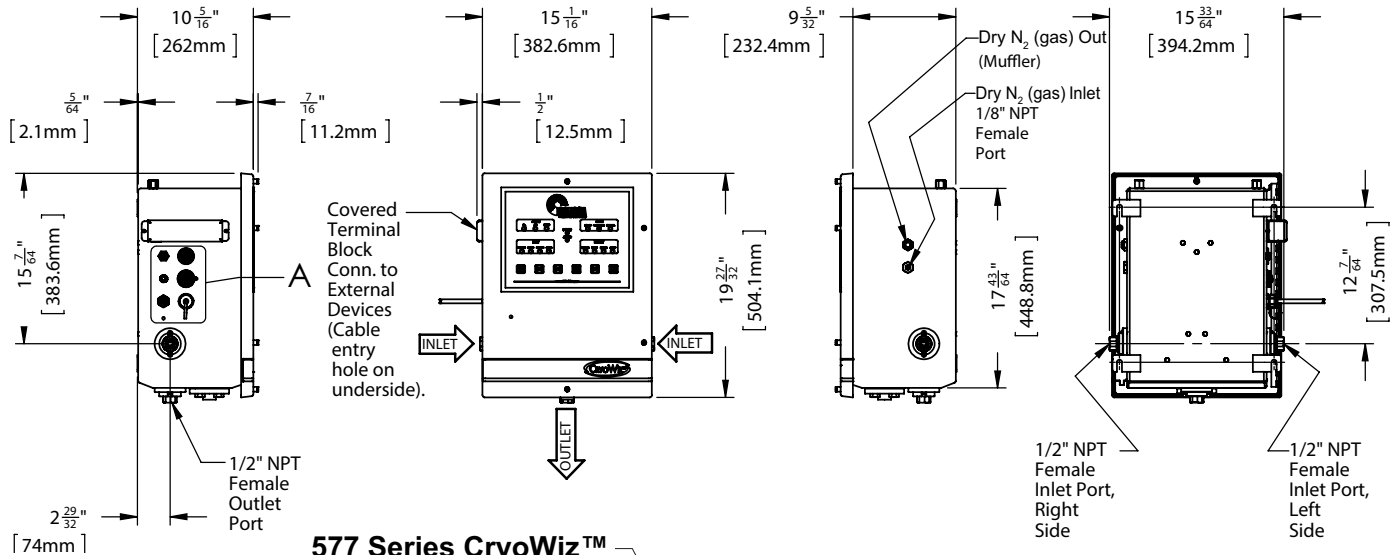
**Conformances** (power supply): Safety approvals CCC, CE, FCC, PSE, RCM, UKCA, UL/cUL ; CRN OH17950.5

**Conformances** (pressure transducers): CE marked; Cleanliness meets or exceeds CGA G-4.1; CRN OH5216.5

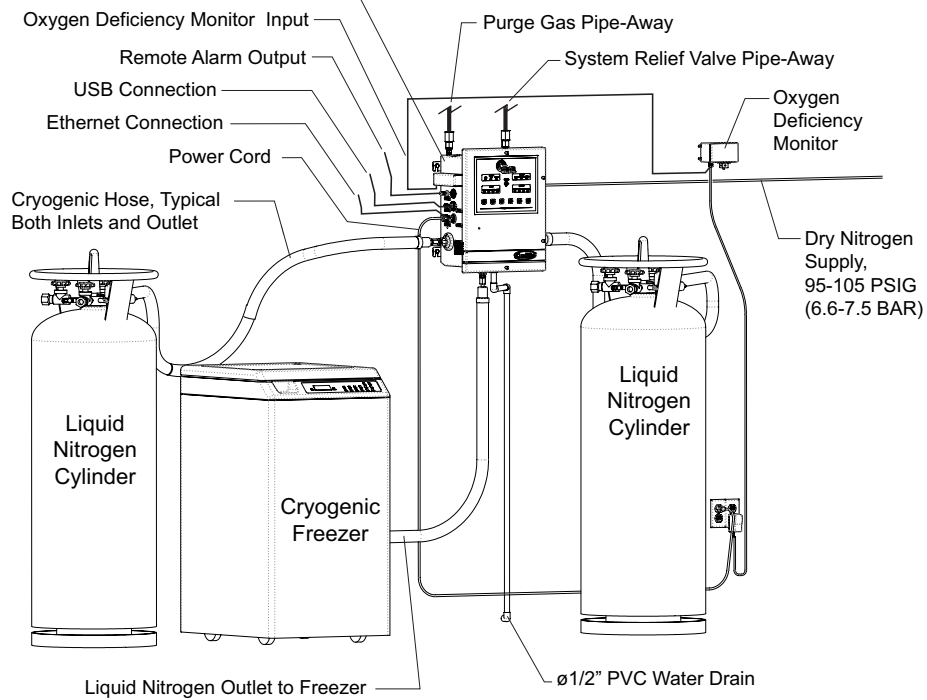
# 577 SERIES CRYOWIZ™



## Installation Information



### 577 Series CryoWiz™



## Ordering Information

577	A	B	C	D	-E	FG
Series 577	Cryogen	Outlet Connection	Relief Valve	Assembly	Inlet	Web Server
	1: Nitrogen	0: 1/2" FPT 1: CGA 295	1: 50 PSIG (3.5 BAR)	3: Standard	1: CGA 295	01: With Web Server

## Related Options

Order No.	Description
57V series	Vacuum-jacketed Headers
551 series	Vacuum-jacketed Hoses
580 3004	Oxygen Deficiency Monitor