



200 Series Regulators

205 SERIES

The 205 Series regulators are intended for secondary pressure control of non-corrosive, high purity or liquefied gases (up to grade 4.5) or as point of use pressure control in high purity gas distribution systems.

- Single Stage
- Chrome-Plated Forged Brass Body
- 316L Stainless Steel Diaphragm
- Four Port Configuration



205 3021-000 shown

Typical Applications

- Point-of-use laboratory systems
- Gas supply purging
- Liquefied hydrocarbon gas control
- Control of cryogenic gases
- Bulk gas distribution systems

Features

- CAPSULE® Seat**
Increased serviceability and life
- 316L Stainless Steel Diaphragm**
No inboard diffusion
- Forged Body**
Durable, long-lasting construction
- Field-Adjustable Pressure Limit**
Safeguard downstream equipment
- Large Convoluted Diaphragm**
Smooth pressure changes
- Standard Relief Valve**
Diaphragm and gauge protection
- Chrome-Plated Forged Brass Body**
Economical high purity design
- High Flow Capacity**
Supply multiple user locations
- Pressure Ranges 0-15 to 0-200 PSIG (0-1 to 0-14 BAR)**
Broad range of applications
- 3000 PSIG (210 BAR) Inlet Pressure Rating**
Safe use with high pressure cylinders

Materials

- Body**
Chrome-plated forged brass
- Bonnet**
Chrome-plated die-cast zinc
- Seat**
PTFE
- Filter**
10 micron sintered bronze
- Diaphragm**
316L stainless steel
- Internal Seals**
PTFE

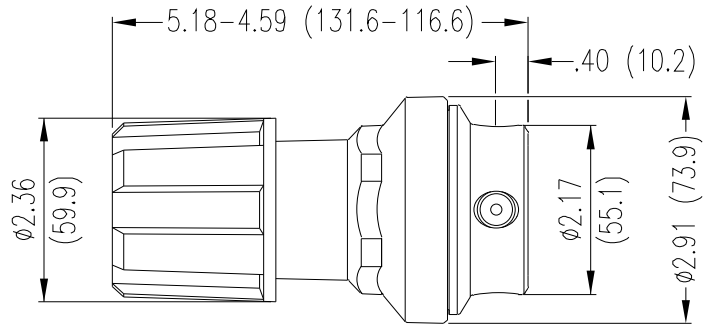
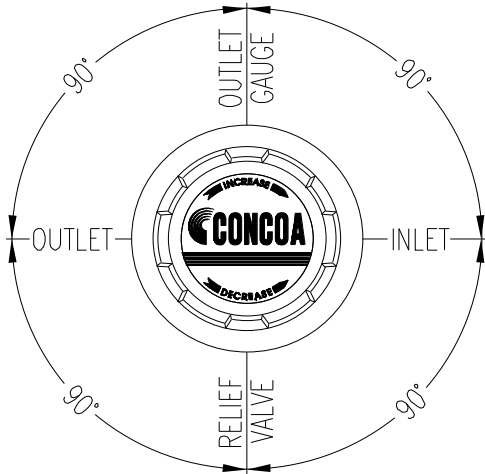
Specifications

- Maximum Inlet Pressure**
3000 PSIG (210 BAR)
- Temperature Range**
-40°F to 140°F (-40°C to 60°C)
- Gauge**
2 1/2" (68mm) diameter chrome-plated brass
- Ports**
1/4" FPT
- Helium Leak Integrity**
1 x 10⁻⁸ scc/sec
- Cv**
0.28
See page 206 for flow curves
- Weight (205 3021-000)**
3.2 lbs. (1.44 kg)

200 Series Regulators



Installation Dimensions



REGULATORS

Ordering Information

205	A	B	C	D	-CON	Options	
Series 205	Outlet Pressure	Outlet Gauge	Inlet Gauge	Outlet Assemblies	Assembly Gauges	Inlet Connections	Installed Options
	1: 0-15 PSIG (0-1 BAR)	0-30 PSIG/ 0-2 BAR	0: None	0: 1/4" FPT port	0: Bare body	000: 1/4" FPT	M: Protocol station
	2: 0-40 PSIG (0-3 BAR)	0-60 PSIG/ 0-4 BAR		1: 1/4" MPT	1: Standard assembly (PSIG/kPa gauges)	TF2: 1/8" tube	Q: Protocol purge station
	3: 0-120 PSIG (0-8 BAR)	0-200 PSIG/ 0-14 BAR		2: 1/4" tube fitting	2: Standard assembly (BAR/PSIG gauges)	TF4: 1/4" tube	
	4: 0-200 PSIG (0-14 BAR)	0-400 PSIG/ 0-27 BAR		3: Diaphragm valve 1/4" tube fitting	6: Mirror image assembly (PSIG/kPa gauges)	TF6: 3/8" tube	
	5: 0-15 PSIG (0-1 BAR)*	0-30 PSIG/ 0-2 BAR		4: Diaphragm valve 1/4" MPT	7: Mirror image assembly (BAR/PSIG gauges)	M06: 6mm tube	
	<i>*With redline for acetylene use</i>			5: Needle valve 1/4" MPT			
				6: 1/8" tube fitting			
				7: 3/8" tube fitting			
				8: Diaphragm valve 1/8" tube fitting			
				9: Diaphragm valve 1/4" FPT			
				A: 3/8" BSP RH fitting			
				B: Diaphragm valve 3/8" tube fitting			
				C: 3/8" BSP LH fitting			
				D: 6mm brass hose barb			
				G: 1/8" stainless steel tube fitting			
				H: 1/4" stainless steel tube fitting			
				M: 6mm tube fitting			
				S: Diaphragm valve 6mm tube fitting			

Flow Curves for 205, 206 Series

