



300 Series Regulators

324 SERIES

The 324 Series regulators are intended for secondary pressure control of ultra-high purity and corrosive gases or as point of use pressure control in ultra-high purity gas distribution systems.

- Single Stage
- 316L Stainless Steel Barstock Body
- Three Port Configuration
- 316L Stainless Steel Diaphragm

Typical Applications

- Bulk gas distribution systems
- Gas and liquid chromatography
- Ultra-high purity carrier gases
- Zero, span, and calibration gases
- Liquefied hydrocarbon gas control
- Control of cryogenic gases



324 3021-000 shown

Features

- CAPSULE® Seat**
Increased serviceability and life
- 316L Stainless Steel Diaphragm**
No inboard diffusion
- Low Wetted Surface Area**
Minimal purge requirements
- Field-Adjustable Pressure Limit**
Safeguard downstream equipment
- Convolutd Diaphragm**
Smooth pressure changes
- Compact Design**
Easily transported and integrated into systems
- 316L Stainless Steel Barstock Body**
Increased corrosion resistance
- Rear Panel-Mountable**
Easy installation
- Pressure Ranges 0-15 to 0-500 PSIG (0-1 to 0-34 BAR)**
Broad range of applications
- 3000 PSIG (210 BAR) Inlet Pressure Rating**
Safe use with high pressure cylinders

Materials

- Body**
316L stainless steel barstock
- Bonnet**
Chrome-plated die-cast zinc
- Seat**
PTFE
- Filter**
Patented 10 micron 316 mesh
- Diaphragm**
316L stainless steel
- Internal Seals**
PTFE

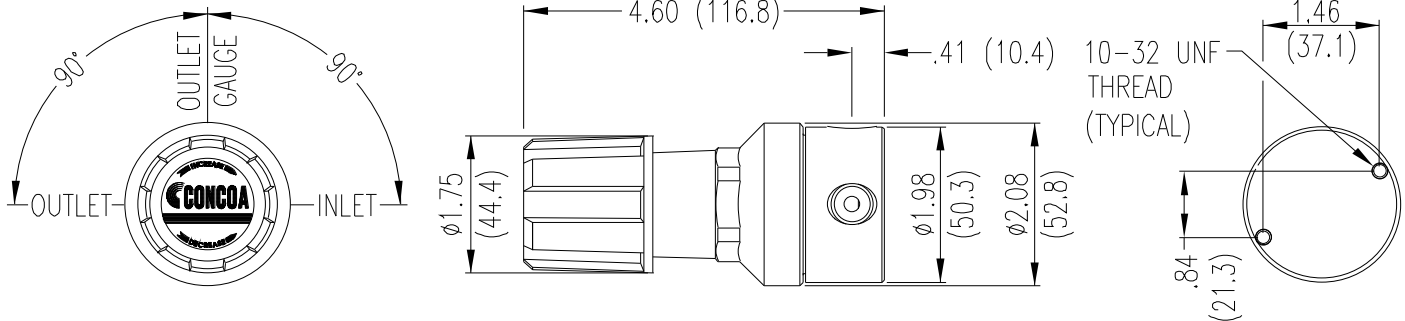
Specifications

- Temperature Range**
-40°F to 140°F (-40°C to 60°C)
- Gauge**
2" (53mm) diameter
Chrome-plated case
Stainless steel internals
- Ports**
1/4" FPT
- Helium Leak Integrity**
1 x 10⁻⁸ scc/sec
- Cv**
0.1
See page 202 for flow curves
- Weight (324 2021-000)**
2.4 lbs. (1.09 kg)

300 Series Regulators



Installation Dimensions



REGULATORS

Ordering Information

324	A	B	C	D	-CON	Options	
Series 324	Outlet Pressure	Outlet Gauge	Inlet Gauge	Outlet Assemblies	Assembly Gauges	Inlet Connections	Installed Options
	1: 0-15 PSIG (0-1 BAR)	30"-0-30 PSIG/ -1-0-2 BAR	0: None	0: 1/4" FPT port	0: Bare body	000: 1/4" FPT	M: Protocol station
	2: 0-50 PSIG (0-3.5 BAR)	30"-0-100 PSIG/ -1-0-7 BAR		1: 1/4" MPT	1: Standard assembly (PSIG/kPa gauges)	TF2: 1/8" tube	Q: Protocol purge station
	3: 0-100 PSIG (0-7 BAR)	30"-0-200 PSIG/ -1-0-14 BAR		2: 1/4" tube fitting	2: Standard assembly (BAR/PSIG gauges)	TF4: 1/4" tube	
	4: 0-250 PSIG (0-17 BAR)	0-400 PSIG/ 0-27 BAR		3: Diaphragm valve 1/4" tube fitting		TF6: 3/8" tube	
	5: 0-500 PSIG (0-34 BAR)	0-1000 PSIG/ 0-70 BAR		4: Diaphragm valve 1/4" MPT		M06: 6mm tube	
	7: 0-150 PSIG (0-10 BAR)	30"-0-200 PSIG/ -1-0-14 BAR		5: Needle valve 1/4" MPT			
				6: 1/8" tube fitting			
				7: 3/8" tube fitting			
				8: Diaphragm valve 1/8" tube fitting			
				9: Diaphragm valve 1/4" FPT			
				M: 6mm tube fitting			
				S: Diaphragm valve 6mm tube fitting			

Related Options

Order No.	Description
835 0204	Rear panel mount kit



Regulator Flow Curves

Flow Curves for 302, 304, 305, 307, 322, 324, 327, 401, 402, 408, 420, 422, 426, 427, 428, 429 Series

