

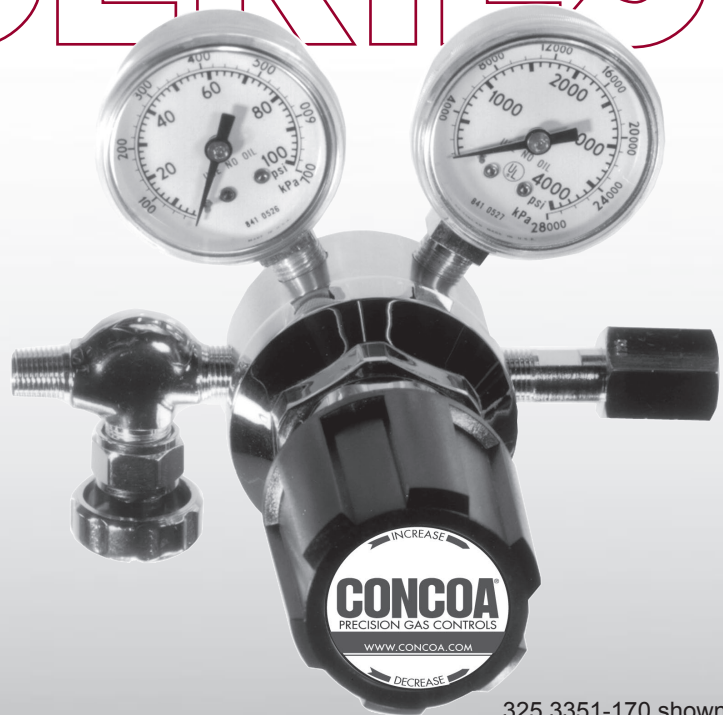


# 300 Series Regulators

# 325 SERIES

The 325 Series regulators are specifically designed for use with non-corrosive gases in lecture bottles. The incorporation of our smallest CAPSULE® allows excellent pressure regulation over the useful pressure range of a lecture bottle.

- Single Stage
- Chrome-Plated Brass Barstock Body
- 316L Stainless Steel Diaphragm
- Lecture Bottle Regulator



325 3351-170 shown

## Typical Applications

- University classrooms
- University laboratories
- Chemical research
- Pharmaceutical manufacturing

## Features

- CAPSULE® Seat**  
Increased serviceability and life
- 316L Stainless Steel Diaphragm**  
No inboard diffusion
- Low Wetted Surface Area**  
Minimal purge requirements
- Field-Adjustable Pressure Limit**  
Safeguard downstream equipment
- Convolute Diaphragm**  
Smooth pressure changes
- Compact Design**  
Easily transported and integrated into systems
- Chrome-Plated Brass Barstock Body**  
Smooth surface finish
- Low Droop**  
Stable outlet pressure
- 1 1/2" (38mm) Pressure Gauges**  
Small envelope

## Materials

- Body**  
Chrome-plated brass barstock
- Bonnet**  
Chrome-plated die-cast zinc
- Seat**  
PTFE
- Filter**  
10 micron sintered bronze
- Diaphragm**  
316L stainless steel
- Internal Seals**  
PTFE

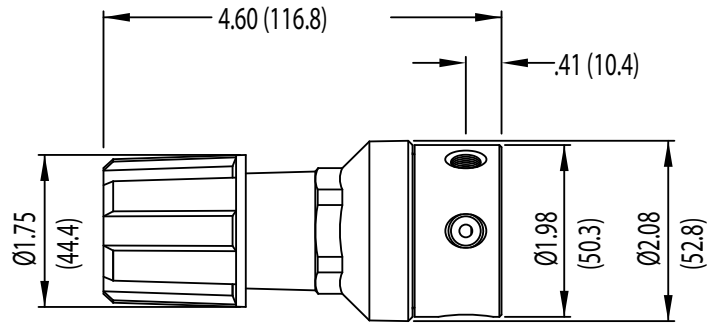
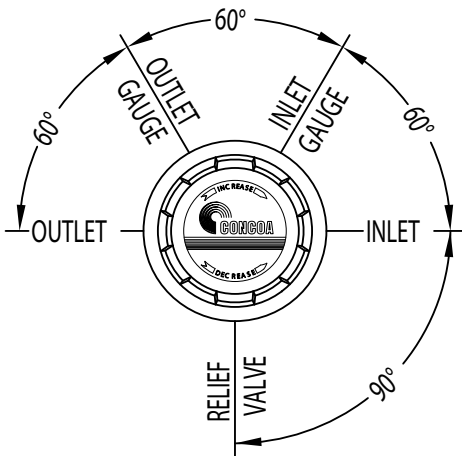
## Specifications

- Maximum Inlet Pressure**  
3000 PSIG (210 BAR)
- Temperature Range**  
-40°F to 140°F (-40°C to 60°C)
- Gauges**  
1 1/2" (38mm) diameter  
chrome-plated brass case
- Ports**  
1/8" FPT (1/4" FPT relief valve)
- Helium Leak Integrity**  
1 x 10<sup>-8</sup> scc/sec
- Cv**  
0.02  
See page 205 for flow curves
- Weight (325 3351-170)**  
2.0 lbs. (0.89 kg)

# 300 Series Regulators



## Installation Dimensions



REGULATORS

## Ordering Information

325	A	B	C	D	-CON	Options	
Series 325	Outlet Pressure	Outlet Gauge	Inlet Gauge	Outlet Assemblies	Assembly Gauges	Inlet Connections	Installed Options
	<b>1:</b> 0-15 PSIG (0-1 BAR)	0-30 PSIG/ 0-2 BAR	<b>0:</b> None	<b>0:</b> 1/8" FPT port	<b>0:</b> Bare body	<b>-000:</b> 1/8" FPT	None
	<b>3:</b> 0-50 PSIG (0-3.5 BAR)	0-100 PSIG/ 0-7 BAR	<b>3:</b> 0-4000 PSIG/ 0-275 BAR	<b>1:</b> 1/4" MPT <b>5:</b> Needle valve 1/8" MPT	<b>1:</b> Standard assembly (PSI/kPa gauges)	<b>-110:</b> CGA 110 <b>-170:</b> CGA 170 <b>-180:</b> CGA 180	

# Regulator Flow Curves



## Flow Curves for 325 Series

