



400 Series Regulators

426 SERIES

The 426 Series regulators are intended for secondary pressure control of ultra-high purity and corrosive gases or as point of use pressure control in ultra-high purity gas distribution systems.

- Low Dead Volume
- 316L Stainless Steel Barstock Body
- Two Port Configuration
- 316L Stainless Steel Diaphragm

Typical Applications

- Bulk gas distribution systems
- Gas and liquid chromatography
- Ultra-high purity carrier gases
- Zero, span, and calibration gases
- High purity chamber pressurization
- Liquefied hydrocarbon gas control
- Control of cryogenic gases
- Corrosive gases



426 3001-000 shown

Features

- Metal-to-Metal Diaphragm Seal**
No possibility of gas contamination
- CAPSULE® Seat**
Increased serviceability and life
- 316L Stainless Steel Barstock Body**
Increased corrosion resistance
- Front and Rear Panel-Mountable**
Versatile system configuration
- Pressure Ranges 0-15 to 0-500 PSIG (0-1 to 0-34 BAR)**
Broad range of applications
- 4500 PSIG (310 BAR) Inlet Pressure Rating**
Safe use with high pressure cylinders

Materials

- Body**
316L stainless steel barstock
- Bonnet**
Chrome-plated brass barstock
- Seat**
PCTFE
- Filter**
Patented 10 micron 316 mesh
- Diaphragm**
316L stainless steel
- Internal Seals**
PTFE

Specifications

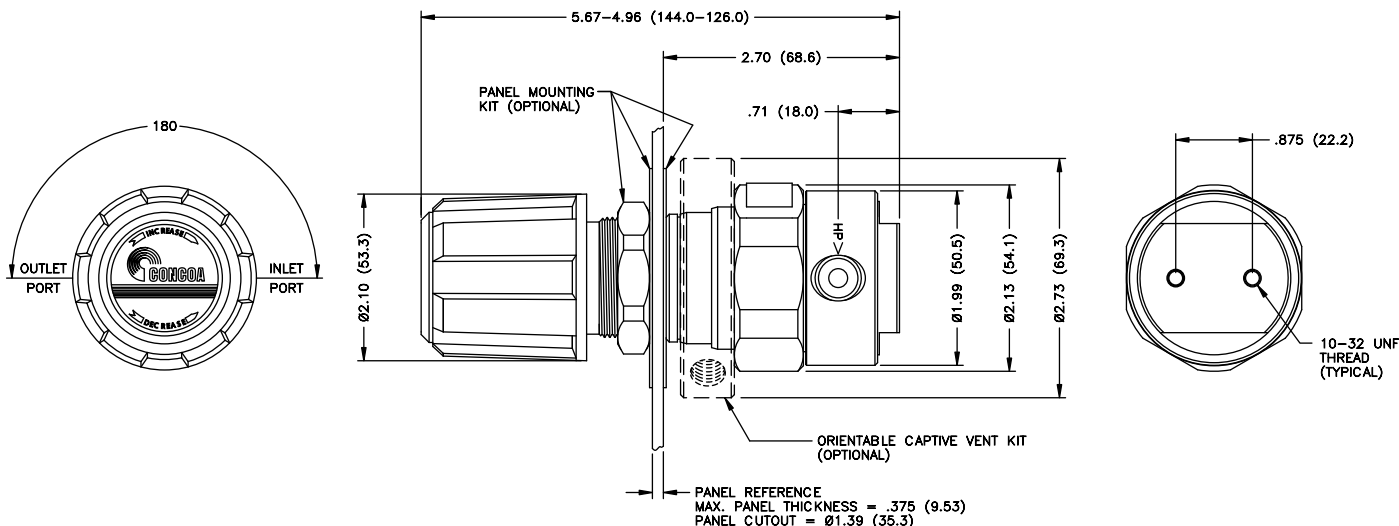
- Maximum Inlet Pressure**
4500 PSIG (310 BAR)
- Temperature Range**
-40°F to 140°F (-40°C to 60°C)
- Ports**
1/4" FPT
- Helium Leak Integrity**
1 x 10⁻⁹ scc/sec
- Cv**
0.1
See page 202 for flow curves
- Weight (426 3801-000)**
2.2 lbs (1.01 kg)

CRN 0H15806.5R1

400 Series Regulators



Installation Dimensions



REGULATORS

Ordering Information

426	A	B	C	D	-CON	Options
Series 426	Outlet Pressure	Inlet Pressure	Outlet Assemblies	Assembly	Inlet Connections	Installed Options
	2: 0-50 PSIG (0-3.5 BAR)	8: 4500 PSIG (310 BAR)	0: 1/4" FPT port	1: Cleanroom assembly	000: 1/4" FPT	B: Protocol alarm station with pressure switch gauges
	3: 0-100 PSIG (0-7 BAR)		1: 1/4" MPT		TF2: 1/8" tube	D: Deep purge*
	4: 0-250 PSIG (0-17 BAR)		2: 1/4" tube fitting		TF4: 1/4" tube	E: Protocol alarm station with intrinsically safe transducer for hazardous environments
	5: 0-500 PSIG (0-34 BAR)		3: Diaphragm valve 1/4" tube fitting		TF6: 3/8" tube	J: Protocol alarm station with standard transducer for non hazardous environments
	7: 0-150 PSIG (0-10 BAR)		4: Diaphragm valve 1/4" MPT		M06: 6mm tube	M: Protocol station
			5: Needle valve 1/4" MPT		CGA	*Only valid with 3000 PSIG cylinder inlet connections
			6: 1/8" tube fitting		DIN 477	
			7: 3/8" tube fitting		BS 341	
			8: Diaphragm valve 1/8" tube fitting		and others available	
			9: Diaphragm valve 1/4" FPT			
			M: 6mm tube fitting			
			S: Diaphragm valve 6mm tube fitting			

Related Options

Order No.	Description
550 0002	Panel mount kit
550 0001	Captured vent kit
476 0002	Helium Leak certification



Regulator Flow Curves

Flow Curves for 302, 304, 305, 307, 322, 324, 327, 401, 402, 408, 420, 422, 426, 427, 428, 429 Series

