



400 Series Regulators

432 SERIES

The 432 Series regulators are intended for primary pressure control of ultra-high purity or corrosive gases for applications requiring constant pressure control and delivery regardless of supply pressure variations.

- Dual Stage
- 316L Stainless Steel Barstock Body
- Six Port Configuration
- 316L Stainless Steel Diaphragm

Typical Applications

- EPA protocol gases
- Gas and liquid chromatography
- High purity carrier gases
- Zero, span, and calibration gases
- Ultra-high purity chamber pressurization
- Liquefied hydrocarbon gas control
- Corrosive gases



432 3331-580 shown

Features

- Metal-to-Metal Diaphragm Seal**
No possibility of gas contamination
- CAPSULE® Seat**
Increased serviceability and life
- 316L Stainless Steel Barstock Body**
Increased corrosion resistance
- Front Panel-Mountable**
Easy installation
- 10 Micron Filtration in Both Stages**
Fail-safe seat performance
- Pressure Ranges 0-15 to 0-350 PSIG (0-1 BAR to 0-24 BAR)**
Broad range of applications
- Pipe Away Relief Valve**
Safely vents exhaust gases

Materials

- Body**
316L stainless steel barstock
- Bonnet**
Chrome-plated brass barstock
- Seat**
PCTFE (first stage)
PTFE (second stage)
- Filter**
Patented 10 micron 316 mesh
- Diaphragm**
316L stainless steel
- Internal Seals**
PTFE

Specifications

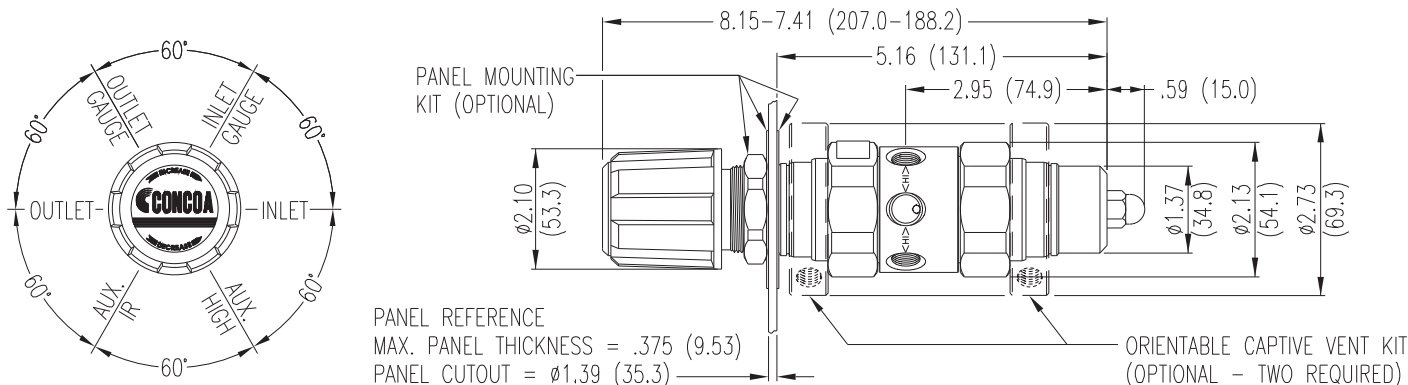
- Maximum Inlet Pressure**
3000 PSIG (210 BAR)
3500 PSIG (240 BAR) optional
4500 PSIG (310 BAR) optional
- Temperature Range**
-40°F to 140°F (-40°C to 60°C)
- Gauges**
2" (53mm) diameter stainless steel
- Ports**
1/4" FPT
- Helium Leak Integrity**
1 x 10⁻⁹ scc/sec
- Cv**
0.1
See page 202 for flow curves
- Weight (432 3331-580)**
5.09 lbs. (2.31 kg)

CRN 0H15806.5R1

400 Series Regulators



Installation Dimensions



Ordering Information

432	A		B	C	D	-CON	Options
Series 432	Outlet Pressure	Outlet Gauge	Inlet Gauge	Outlet Assemblies	Assembly/Gauges	Inlet Connections	Installed Options
	1: 0-15 PSIG (0-1 BAR)	30"-0-30 PSIG/ -1-0-2 BAR	0: None	0: 1/4" FPT port	0: Bare body	000: 1/4" FPT	B: Protocol alarm station with pressure switch gauges
	2: 0-50 PSIG (0-3.5 BAR)	30"-0-100 PSIG/ -1-0-7 BAR	3: 0-4000 PSIG/ 0-275 BAR	1: 1/4" MPT	1: Cleanroom assembly (PSIG/kPa gauges)	TF2: 1/8" tube	C: Protocol switchover station
	3: 0-100 PSIG (0-7 BAR)	30"-0-200 PSIG/ -1-0-14 BAR	5: 0-1000 PSIG/ 0-70 BAR	2: 1/4" tube fitting	2: Cleanroom assembly (BAR/PSIG gauges)	TF4: 1/4" tube	D: Deep purge*
	4: 0-250 PSIG (0-17 BAR)	0-400 PSIG/ 0-27 BAR	6: 0-300 PSIG/ 0-21 BAR	3: Diaphragm valve 1/4" tube fitting		TF6: 3/8" tube	E: Protocol alarm station with intrinsically safe transducer for hazardous environments
	7: 0-150 PSIG (0-10 BAR)	30"-0-200 PSIG/ -1-0-14 BAR	7: 0-400 PSIG/ 0-27 BAR	4: Diaphragm valve 1/4" MPT		M06: 6mm tube	H: Protocol switchover alarm station with pressure switch gauges
	E: 0-350 PSIG (0-24 BAR)	0-400 PSIG/ 0-27 BAR	8: 0-6000 PSIG/ 0-415 BAR*	5: Needle valve 1/4" MPT		CGA DIN 477 BS 341 and others available	J: Protocol alarm station with standard transducer for non hazardous environments
G: 0-4000 PSIG/ 0-275 BAR†				6: 1/8" tube fitting	K: Protocol switchover alarm station with standard transducer for non hazardous environments		
<i>*Maximum inlet pressure 4500 PSIG (310 BAR) with PCTFE seat CAPSULE®</i>				7: 3/8" tube fitting	M: Protocol station		
<i>†Maximum inlet pressure 3500 PSIG (240 BAR) with PCTFE seat CAPSULE</i>				8: Diaphragm valve 1/8" tube fitting	Q: Protocol purge station*		
				9: Diaphragm valve 1/4" FPT	S: Stainless steel bonnet		
			M: 6mm tube fitting	X: Protocol switchover alarm station with intrinsically safe transducer for hazardous environments			<i>*Not available with 4500 PSIG (310 BAR) max inlet pressure</i>
				S: Diaphragm valve 6mm tube fitting			

Related Options

Order No.	Description
550 0002	Panel mount kit
550 0001	Captured vent kit (2 required)
476 0002	Helium Leak certification

REGULATORS

Flow Curves for 312, 315, 332, 411, 412, 414, 415, 430, 432 Series

