



400 Series Regulators

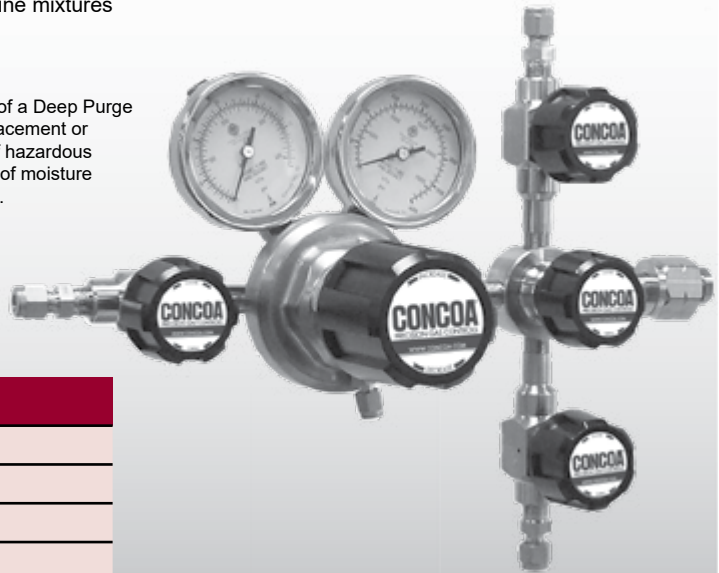
455 SERIES

CONCOA's 455 Series regulators are intended for primary pressure control of highly corrosive gases such as chlorides, sulfides, and other acid-forming gases. New DURSAN treated 316L SS capsule and Diaphragm 10 X more corrosion resistant than Hasteloy for Chlorine, HCL, HBr, H2S, or any Non-Fluorine mixtures or Non-Fluorine compounds.

Deep Purge

For safety and corrosion prevention, CONCOA highly recommends the addition of a Deep Purge assembly to the 455 Series regulator. The Deep Purge performs a positive displacement or cycle purge of the system. Completely purging a system prevents the release of hazardous gases into the work place. In addition, the Deep Purge prevents the introduction of moisture to the regulator, which forms acids in the regulator body and results in corrosion.

- Single Stage
- Electroless Nickel-Plated Forged Brass Body
- Corrosive Service



455 2332-330 shown

Typical Applications

- Hydrogen chloride
- Chlorine
- Boron trichloride
- Hydrogen sulfide
- Dichlorosilane

Features

- Nickel-Plated Forged Brass Body**
Durable, long lasting construction
- Convolute 316L Stainless Steel Diaphragm**
Sensitive to downstream changes
- CAPSULE® Seat**
Serviceability and long life
- Captured Vent Standard**
Safely vent exhaust gases
- High Load Marginal Spring**
Positive seat closure
- Fluorine passivated version for mixtures**
NF3, BF3, SiF4

Materials

- Body**
Electroless nickel-plated forged brass
- Bonnet**
Electroless nickel-plated forged brass
- Seat**
PTFE
- Nozzle**
Dursan Treated 316L or Fluorine passivated 316L stainless steel
- Diaphragm**
Dursan Treated 316L or Fluorine passivated 316L stainless steel
- Diaphragm Seal**
PTFE
- Filter**
Dursan Treated 316L or Fluorine passivated 316L stainless steel

Specifications

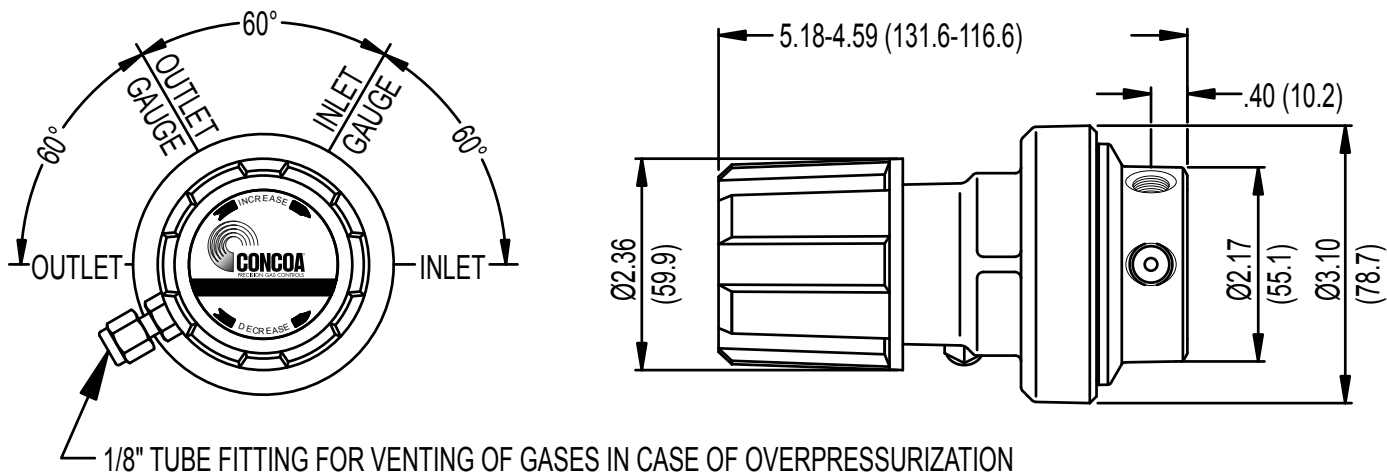
- Maximum Inlet Pressure**
3000 PSIG (210 BAR)
- Temperature Range**
-40°F to 140°F (-40°C to 60°C)
- Gauges**
2 1/2" (68mm) diameter Monel®
- Ports**
1/4" FPT
- Helium Leak Integrity**
1 x 10⁻⁸ scc/sec
- Cv**
0.2
See page 203 for flow curves
- Weight (455 2332-660)**
7.23 lbs. (3.28 kg)

CRN 0H15806.5R1

400 Series Regulators



Installation Dimensions



REGULATORS

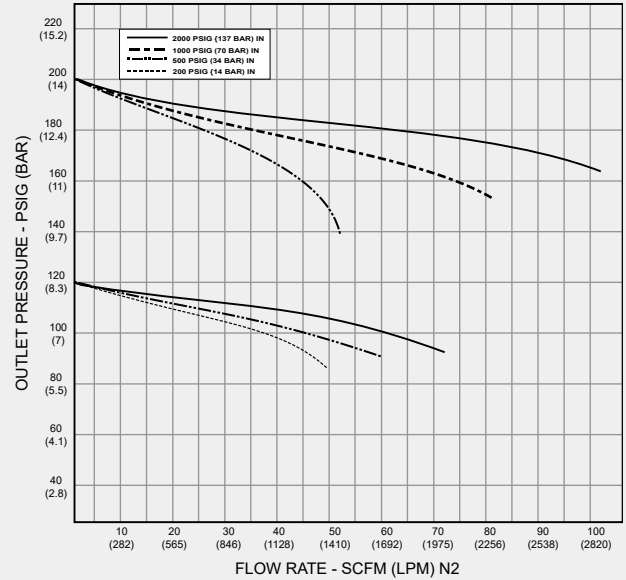
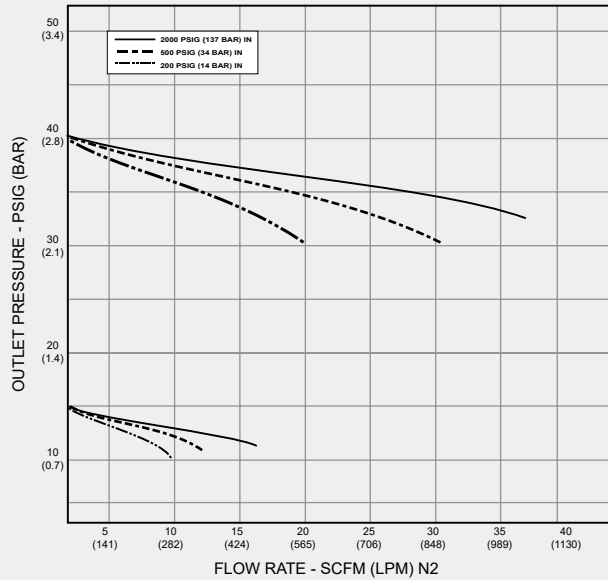
Ordering Information

455	A	B	C	D	-CON	Options	
Series 455	Outlet Pressure	Outlet Gauge	Inlet Gauge	Outlet Assemblies	Assembly/ Gauges	Inlet Connections	Installed Options
	1: 0-15 PSIG (0-1 BAR)	30"-0-30 PSIG/ -1-0-2 BAR	0: None	0: 1/4" FPT port	0: Bare body	000: 1/4" FPT	R: Dursan Treated 316L components and parts
	2: 0-40 PSIG (0-3 BAR)	0-60 PSIG/ 0-4 BAR	3: 0-4000 PSIG/ 0-275 BAR	1: 1/4" MPT	1: Standard assembly without deep purge (PSIG/kPa gauges)	TF2: 1/8" tube	CGA 679, and other inlet connects require complete Fluorine passivated assemblies consult factory.
	3: 0-120 PSIG (0-8 BAR)	0-200 PSIG/ 0-14 BAR	5: 0-1000 PSIG/ 0-70 BAR	2: 1/4" tube fitting	2: Standard assembly with deep purge (PSIG/kPa gauges)	TF4: 1/4" tube	
	4: 0-200 PSIG (0-14 BAR)	0-400 PSIG/ 0-27 BAR	6: 0-300 PSIG/ 0-21 BAR	3: Diaphragm valve 1/4" tube fitting	4: Standard assembly without deep purge (BAR/PSIG gauges)	TF6: 3/8" tube	
	5: 0-250 PSIG (0-17 BAR)	0-400 PSIG/ 0-27 BAR	7: 0-400 PSIG/ 0-27 BAR	4: Diaphragm valve 1/4" MPT	5: Standard assembly with deep purge (BAR/PSIG gauges)	M06: 6mm tube	
			8: 0-200 PSIG/ 0-14 BAR	5: Needle valve 1/4" MPT	B: Standard assembly with quarter-turn deep purge (PSIG/kPa gauges)	CGA DIN 477 BS 341 and others available	
				6: 1/8" tube fitting	E: Standard assembly with quarter-turn deep purge (PSIG/BAR gauges)		
				7: 3/8" tube fitting			
				8: Diaphragm valve 1/8" tube fitting			
				9: Diaphragm valve 1/4" FPT			
				M: 6mm tube fitting			
				S: Diaphragm valve 6mm tube fitting			

Regulator Flow Curves



Flow Curves for 109, 202 and 455 Series Single Stage



Flow Curves for 109 Series Dual Stage

