



400 Series Regulators

483 SERIES

The 483 Series regulator applications are wide and varied including high flow purging, non-corrosive process gas control, manifold and line regulation.

- Single Stage
- Ultra-High Flow
- Brass Barstock Body
- Four Port Configuration
- 316L Stainless Steel Diaphragm



483 3001-000 shown

Typical Applications

- Bulk gas distribution systems
- Gas and liquid chromatography
- High purity carrier gases
- Zero, span, and calibration gases
- High purity chamber pressurization
- Liquefied hydrocarbon gas control
- Control of cryogenic gases

Features

- Metal-to-Metal Diaphragm Seal**
No possibility of gas contamination
- ISOFLOW Technology**
Internal equalization provides constant delivery pressure at high flows
- Brass Barstock Body**
Smooth surface finish
- Rear Panel-Mountable**
Versatile system configuration
- Pressure Ranges 0-15 to 0-250 PSIG (0-1 to 0-17 BAR)**
Broad range of applications
- 3000 PSIG (210 BAR) Inlet Pressure Rating**
Safe use with high pressure cylinders
- Pipe Away Relief Valve**
Safely vents exhaust gases

Materials

- Body**
Brass barstock
- Bonnet**
Chrome-plated die-cast zinc
- Seat**
PCTFE
- Filter**
40 micron 316L stainless steel mesh
- Diaphragm**
316L stainless steel
- Internal Seals**
PTFE

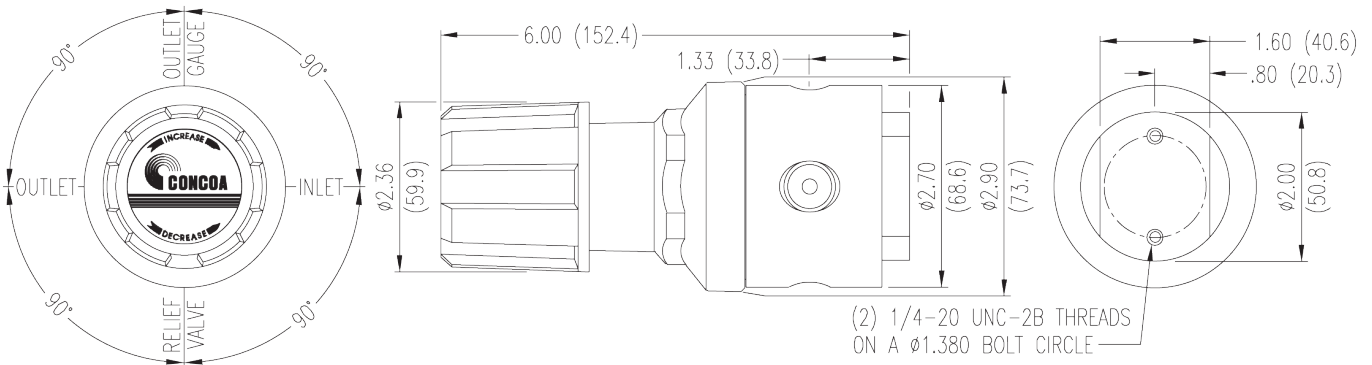
Specifications

- Maximum Inlet Pressure**
3000 PSIG (210 BAR)
- Temperature Range**
-40°F to 140°F (-40°C to 60°C)
- Gauge**
2" (53mm) diameter brass
- Ports**
1/2" FPT (inlet/outlet)
1/4" FPT (gauge/relief valve)
- Helium Leak Integrity**
1 x 10⁻⁸ scc/sec
- Cv**
1.0
See page 204 for flow curves
- Weight (483 3001-000)**
4.79 lbs. (2.17 kg)

400 Series Regulators



Installation Dimensions



REGULATORS

Ordering Information

483	A	B	C	D	-CON	Installed Options	
Series 483	Outlet Pressure	Outlet Gauge	Inlet Gauge	Outlet Assemblies	Assembly/Gauges	Inlet Connections	None
	1: 0-15 PSIG (0-1 BAR)	30"-0-30 PSIG/ -1-0-2 BAR	0: None	0: 1/2" FPT port	0: Bare body	000: 1/2" FPT	
	2: 0-40 PSIG (0-3 BAR)	30"-0-60 PSIG/ -1-0-4 BAR		1: 1/2" tube fitting	1: Standard assembly (PSIG/kPa gauges)	TF8: 1/2" tube	
	3: 0-120 PSIG (0-8 BAR)	30"-0-200 PSIG/ -1-0-14 BAR		5: Needle valve 1/4" MPT	2: Standard assembly (BAR/PSIG gauges)	M12: 12mm tube	
	4: 0-200 PSIG (0-14 BAR)	0-400 PSIG/ 0-27 BAR		P: 12mm tube fitting	6: Mirror image assembly (PSIG/kPa gauges)		
	5: 0-250 PSIG (0-17 BAR)	0-400 PSIG/ 0-27 BAR			7: Mirror image assembly (BAR/PSIG gauges)		

Related Options

Options	Order No.	Description
Panel mount kit	835 0204	To mount the regulator from the rear



Regulator Flow Curves

Flow Curves for 483, 484, 485, 486 Series

