

# 400 Series Regulators



# 485 SERIES

The 485 Series regulator applications are wide and varied including high flow purging, non-corrosive process gas control, manifold and line regulation.

- Single Stage
- Ultra-High Flow
- Brass Barstock Body
- Six Port Configuration
- 316L Stainless Steel Diaphragm

## Typical Applications

Bulk gas distribution systems

Gas and liquid chromatography

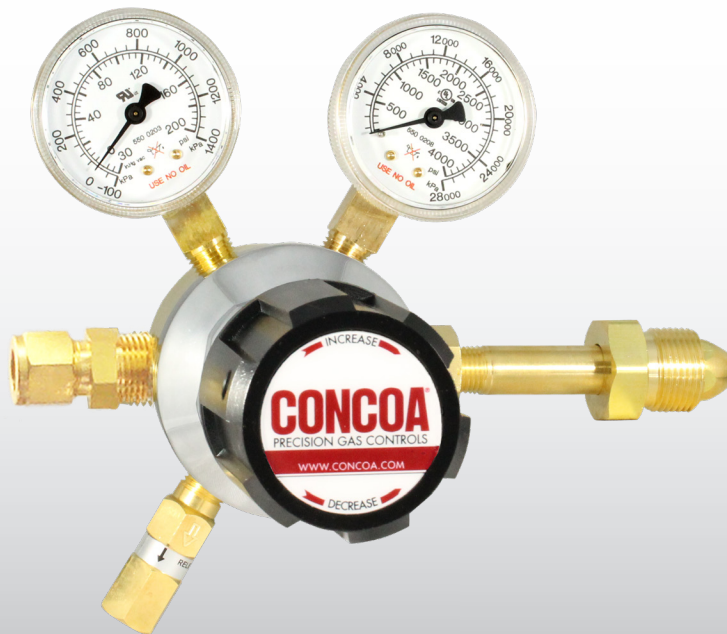
High purity carrier gases

Zero, span, and calibration gases

High purity chamber pressurization

Liquefied hydrocarbon gas control

Control of cryogenic gases



485 3311-01-580

## Features

### PTFE Diaphragm Seal

No possibility of gas contamination

### ISOFLOW Technology

Internal equalization provides constant delivery pressure at high flows

### Brass Barstock Body

Smooth surface finish

### Rear Panel-Mountable

Versatile system configuration

### Pressure Ranges 0-15 To 0-250 PSIG (0-1 to 0-17 BAR)

Broad range of applications

### Pipe Away Relief Valve

Safely vents exhaust gases

## Materials

### Body

Brass barstock

### Bonnet

Chrome-plated, die-cast zinc

### Seat

PCTFE

### Filter

40 micron 316L stainless steel mesh

### Diaphragm

316L stainless steel

### Internal Seals

PTFE

## Specifications

### Maximum Inlet Pressure

3000 PSIG (210 BAR)

### Temperature Range

-40°F to 140°F (-40°C to 60°C)

### Gauges

2" (50mm) diameter brass

### Ports

1/2" FPT (inlet/outlet)  
1/4" FPT (gauge/relief valve)

### Helium Leak Integrity

$1 \times 10^{-8}$  scc/sec

### Cv

1.0

### Conformances

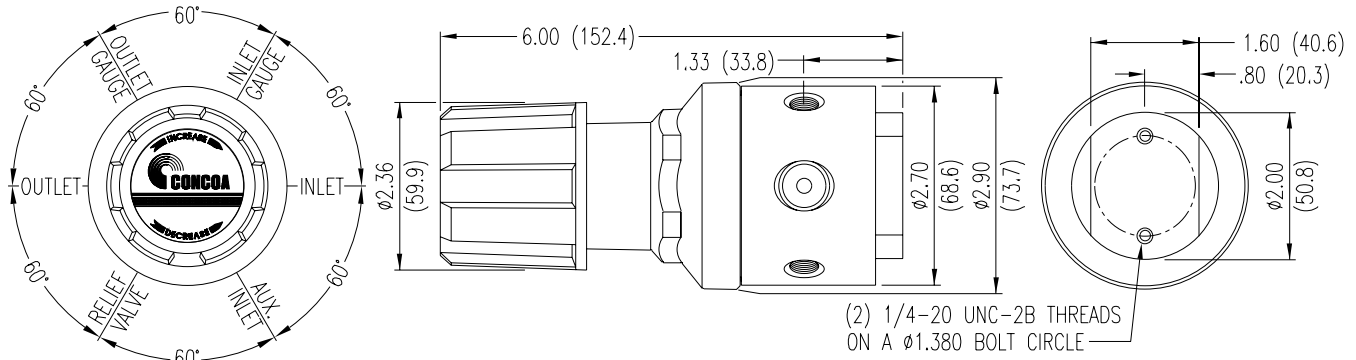
Cleanliness meets or exceeds CGA G-4.1;  
ANSI/ASME B40.1; PED 2014/68/EU;  
CRN OH5216.5

### Weight (485 3311-0--580)

5.95 lbs. (2.7 kg)

# 400 Series Regulators

## Installation Dimensions



## Ordering Information

485	A	B	C	D	-CON	Options	
Series 485	Outlet Pressure	Outlet Gauge	Inlet Gauge	Outlet Assemblies	Assembly/Gauges	Inlet Connections	Installed Options
	<b>1:</b> 0-15 PSIG (0-1 BAR)	30"-0-30 PSIG/ -1-0-2 BAR	<b>0:</b> None	<b>0:</b> 1/2" FPT port	<b>0:</b> Bare body	<b>000:</b> 1/2" FPT	<b>B:</b> Protocol alarm station with pressure switch gauges
	<b>2:</b> 0-40 PSIG (0-3 BAR)	30"-0-60 PSIG/ -1-0-4 BAR	<b>3:</b> 0-4000 PSIG/ 0-275 BAR	<b>1:</b> 1/2" tube fitting	<b>1:</b> Standard assembly (PSIG/kPa gauges)	<b>TF8:</b> 1/2" tube	<b>C:</b> Protocol switchover station
	<b>3:</b> 0-120 PSIG (0-8 BAR)	30"-0-200 PSIG/ -1-0-14 BAR	<b>5:</b> 0-1000 PSIG/ 0-70 BAR	<b>5:</b> Needle valve 1/4" MPT	<b>2:</b> Standard assembly (BAR/PSIG gauges)	<b>M12:</b> 12mm tube	<b>E:</b> Protocol alarm station with intrinsically safe transducer for hazardous environments
	<b>4:</b> 0-200 PSIG (0-14 BAR)	0-400 PSIG/ 0-27 BAR	<b>6:</b> 0-400 PSIG/ 0-28 BAR	<b>P:</b> 12mm tube fitting	<b>6:</b> Mirror image (PSIG/kPa gauges)	CGA DIN 477 BS 341 and others available	<b>H:</b> Protocol switchover alarm station with pressure switch gauges
	<b>5:</b> 0-250 PSIG (0-17 BAR)	0-400 PSIG/ 0-27 BAR	<b>7:</b> 0-200 PSIG/ 0-17 BAR		<b>7:</b> Mirror image (BAR/PSIG gauges)		<b>J:</b> Protocol alarm station with standard transducer for non hazardous environments
			<b>9:</b> 0-600 PSIG/ 0-42 BAR				<b>K:</b> Protocol switchover alarm station with standard transducer for non hazardous environments
							<b>M:</b> Protocol station
							<b>Q:</b> Protocol purge station*
							<b>X:</b> Protocol switchover alarm station with intrinsically safe transducer for hazardous environments
							*Not available with 4500 PSIG (310 BAR) max inlet pressure

# Regulator Flow Curves

## Flow Curves for 483, 484, 485, 486 Series

