



# 400 Series Regulators

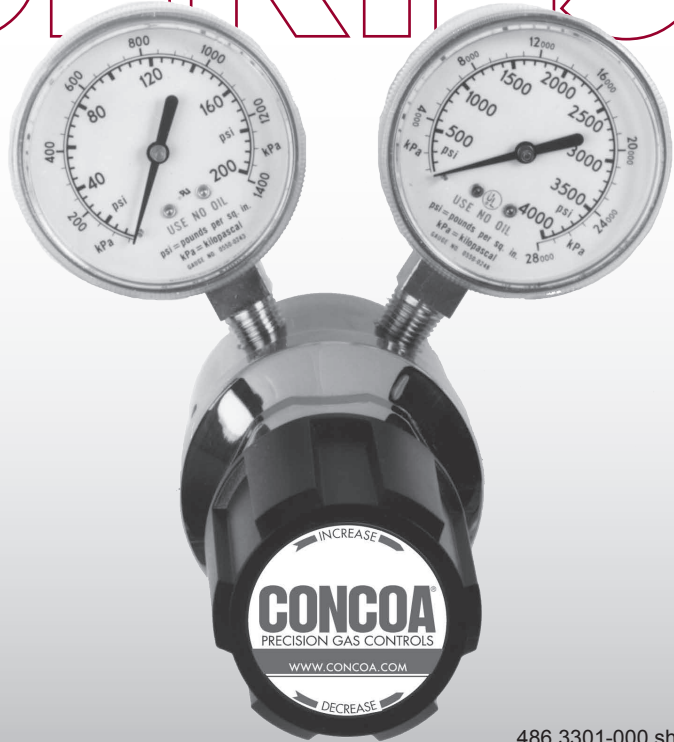
# 486 SERIES

The 486 Series regulator applications are wide and varied including high flow purging, semiconductor CDA and bulk gas supply, modified atmosphere packaging, pharmaceutical processing, manifold and line regulation.

- Single Stage
- Ultra-High Flow
- 316L Stainless Steel Barstock Body
- Six Port Configuration
- 316L Stainless Steel Diaphragm

## Typical Applications

Bulk gas distribution systems
Gas and liquid chromatography
High purity carrier gases
Zero, span, and calibration gases
High purity chamber pressurization
Liquefied hydrocarbon gas control
Control of cryogenic gases



486 3301-000 shown

## Features

- PTFE Diaphragm Seal**  
No possibility of gas contamination
- ISOFLOW Technology**  
Internal equalization provides constant delivery pressure at high flows
- 316L Stainless Steel Barstock Body**  
Smooth surface finish
- Rear Panel-Mountable**  
Versatile system configuration
- Pressure Ranges 0-15 To 0-250 PSIG (0-1 to 0-17 BAR)**  
Broad range of applications
- Pipe Away Relief Valve**  
Safely vents exhaust gases

## Materials

- Body**  
316L stainless steel barstock
- Bonnet**  
Chrome-plated die-cast zinc
- Seat**  
PTFE
- Filter**  
40 micron 316L stainless steel mesh
- Diaphragm**  
316L stainless steel
- Internal Seals**  
PTFE

## Specifications

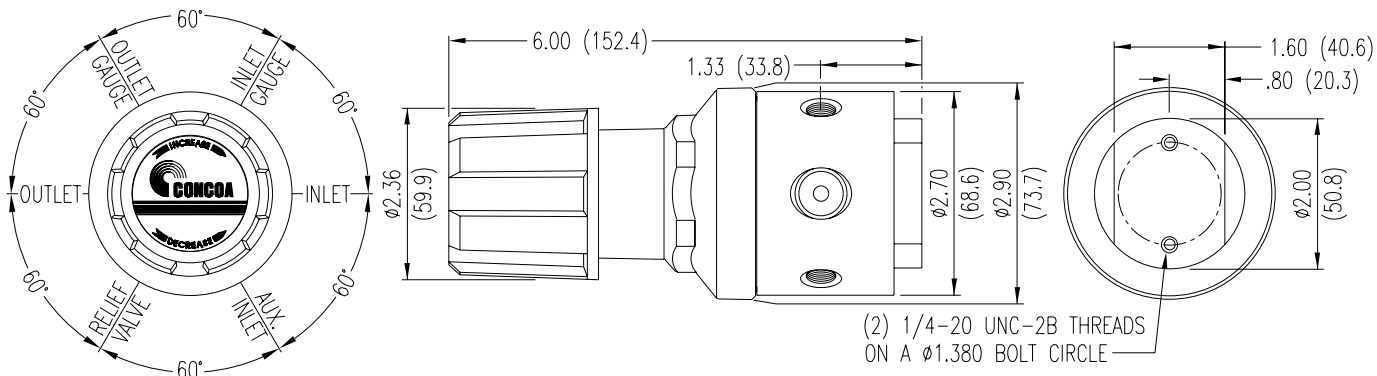
- Maximum Inlet Pressure**  
3000 PSIG (210 BAR)
- Temperature Range**  
-40°F to 140°F (-40°C to 60°C)
- Gauges**  
2" (53mm) diameter stainless steel
- Ports**  
1/2" FPT (inlet/outlet)  
1/4" FPT (gauges/relief valve)
- Helium Leak Integrity**  
1 x 10<sup>-8</sup> scc/sec
- Cv**  
1.0  
*See page 204 for flow curves*
- Weight (486 3301-000)**  
5.06 lbs. (2.30 kg)

CRN 0C17947.5

# 400 Series Regulators



## Installation Dimensions



REGULATORS

## Ordering Information

486	A	B	C	D	-CON	Options	
Series 486	Outlet Pressure	Outlet Gauge	Inlet Gauge	Outlet Assemblies	Assembly/Gauges	Inlet Connections	Installed Options
	<b>1:</b> 0-15 PSIG (0-1 BAR)	30"-0-30 PSIG/ -1-0-2 BAR	<b>0:</b> None	<b>0:</b> 1/2" FPT Port	<b>0:</b> Bare body	<b>000:</b> 1/2" FPT	<b>B:</b> Protocol alarm station with pressure switch gauges
	<b>2:</b> 0-40 PSIG (0-3 BAR)	30"-0-60 PSIG/ -1-0-4 BAR)	<b>3:</b> 0-4000 PSIG/ 0-275 BAR	<b>1:</b> 1/2" tube fitting	<b>1:</b> Standard assembly (PSIG/kPa gauges)	<b>TF8:</b> 1/2" tube	<b>C:</b> Protocol switchover station
	<b>3:</b> 0-120 PSIG (0-8 BAR)	30"-0-200 PSIG/ -1-0-14 BAR	<b>5:</b> 0-1000 PSIG/ 0-70 BAR	<b>5:</b> Needle valve 1/4" MPT	<b>2:</b> Standard assembly (BAR/PSIG gauges)	<b>M12:</b> 12mm tube	<b>E:</b> Protocol alarm station with intrinsically safe transducer for hazardous environments
	<b>4:</b> 0-200 PSIG (0-14 BAR)	0-400 PSIG/ 0-27 BAR	<b>6:</b> 0-400 PSIG/ 0-28 BAR	<b>P:</b> 12mm tube fitting	<b>6:</b> Mirror image (PSIG/kPa gauges)	CGA DIN 477 BS 341 and others available	<b>H:</b> Protocol switchover alarm station with pressure switch gauges
	<b>5:</b> 0-250 PSIG (0-17 BAR)	0-400 PSIG/ 0-27 BAR	<b>7:</b> 0-200 PSIG/ 0-14 BAR		<b>7:</b> Mirror image (BAR/PSIG gauges)		<b>J:</b> Protocol alarm station with standard transducer for non hazardous environments
			<b>9:</b> 0-600 PSIG/ 0-42 BAR				<b>K:</b> Protocol switchover alarm station with standard transducer for non hazardous environments
							<b>M:</b> Protocol station
							<b>Q:</b> Protocol purge station*
							<b>X:</b> Protocol switchover alarm station with intrinsically safe transducer for hazardous environments

\*Not available with 4500 PSIG (310 BAR) max inlet pressure



# Regulator Flow Curves

## Flow Curves for 483, 484, 485, 486 Series

