



# 400 Series Regulators

# 492 SERIES

The 492 Series regulators are intended for primary pressure control of non-corrosive gases at a maximum inlet pressure of 6000 PSIG (415 BAR).

- Single Stage
- Piston-Sensed
- Ultra-High Pressure
- Chrome-Plated Brass Barstock Body



492 5952-677 shown

## Typical Applications

- Airplane strut charging
- Research and development laboratories
- Chemical manufacturing
- Aerospace hydraulic systems
- Pharmaceutical manufacturing
- Gauge calibration

## Features

- Large Piston Sensor**  
Safely control pressures to 6000 PSIG (415 BAR)
- CAPSULE® Seat**  
Increased serviceability and life
- Low Wetted Surface Area**  
Minimal purge requirements
- Field-Adjustable Pressure Limit**  
Safeguard downstream equipment
- Chrome-Plated Brass Barstock Body**  
Smooth surface finish
- Front and Rear Panel-Mountable**  
Versatile system configuration
- Pressure Ranges 0-750 to 0-6000 PSIG (0-50 to 0-415 BAR)**  
Broad range of applications
- Six Port Design**  
Flexible installation alternatives

## Materials

- Body**  
Chrome-plated brass barstock
- Bonnet**  
Chrome-plated brass barstock
- Seat**  
PTFE 3000 and 4500 PSIG (210 and 310 BAR) inlet  
Arlon® (PEEK) (6000 PSIG inlet)
- Piston**  
Brass barstock
- Filter**  
10 micron sintered bronze
- Internal Seals**  
Viton® (encapsulated)

## Specifications

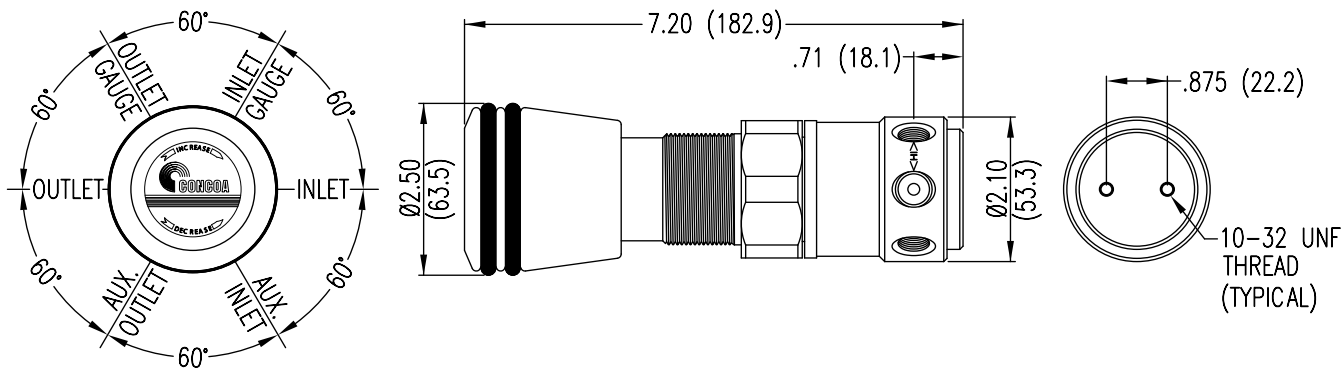
- Maximum Inlet Pressure**  
6000 PSIG (415 BAR)
- Temperature Range**  
-40°F to 140°F (-40°C to 60°C)
- Gauges**  
2 1/2" (68mm) diameter chrome-plated brass
- Ports**  
1/4" FPT
- Cv**  
0.1  
See page 204 for flow curves
- Weight (492 4952-677)**  
5.59 lbs. (2.54 kg)

CRN 0C17947.5

# 400 Series Regulators



## Installation Dimensions



REGULATORS

## Ordering Information

492	A	B	C	D	-CON	Options		
Series 492	Outlet Pressure	Outlet Gauge	Inlet Maximum	Inlet Gauge	Outlet Assemblies	Assembly Gauges	Inlet Connections	Installed Options
	<b>1:</b> 0-750 PSIG (50 BAR)	0-1000 PSIG/ 0-70 BAR	<b>0:</b> 6000 PSIG (415 BAR)*	None	<b>0:</b> 1/4" FPT	<b>0:</b> Bare body <sup>†</sup>	CGA DIN 477 BS 341 and others available	<b>B:</b> Protocol alarm station with pressure switch gauges
	<b>2:</b> 0-1500 PSIG (0-100 BAR)	0-4000 PSIG/ 0-275 BAR	<b>3:</b> 3000 PSIG (210 BAR)	0-4000 PSIG/ 0-275 BAR	<b>1:</b> 1/4" MPT	<b>1:</b> Standard assembly (PSIG/kPa gauges)		<b>C:</b> Protocol switchover station
	<b>3:</b> 0-2500 PSIG (0-170 BAR)	0-4000 PSIG/ 0-275 BAR	<b>8:</b> 5500 PSIG (380 BAR)	0-6000 PSIG/ 0-415 BAR	<b>2:</b> 1/4" tube fitting	<b>2:</b> Standard assembly (BAR/PSIG gauges)		<b>E:</b> Protocol alarm station with intrinsically safe transducer for hazardous environments
	<b>4:</b> 0-4500 PSIG (0-310 BAR)*	0-6000 PSIG/ 0-415 BAR	<b>9:</b> 6000 PSIG (415 BAR)	0-10,000 PSIG/ 0-700 BAR	<b>5:</b> Needle valve 1/4" MPT	<b>6:</b> Mirror image (BAR/kPa gauges)		<b>H:</b> Protocol switchover alarm station with pressure switch gauges
	<b>5:</b> 0-6000 PSIG (0-415 BAR)*	0-10,000 PSIG/ 0-700 BAR	*Only valid if D = 1 or 2 (outlet gauge specified)		<b>6:</b> 1/8" tube fitting	<b>7:</b> Mirror image (BAR/PSIG gauges)		<b>J:</b> Protocol alarm station with standard transducer for non hazardous environments
	<b>6:</b> 0-3500 PSIG (0-240 BAR)*	0-6000 PSIG/ 0-415 BAR			<b>7:</b> 3/8" tube fitting	<sup>†</sup> B must be 3, 8 or 9 (maximum pressure specified)		<b>K:</b> Protocol switchover alarm station with standard transducer for non hazardous environments
	*Not available with 3000 PSIG (210 BAR) maximum inlet pressure				<b>F:</b> Needle valve 1/4" tube fitting		<b>M:</b> Protocol station	
	*Only available with 6000 PSIG (415 BAR) maximum inlet pressure				<b>M:</b> 6mm tube fitting		<b>Q:</b> Protocol purge station*	
					Note: Outlet fittings and outlet valves are 316 stainless steel		<b>X:</b> Protocol switchover alarm station with intrinsically safe transducer for hazardous environments	
							*3000 PSIG (210 BAR) maximum inlet only valid if B=3	

## Related Options

Options	Order No.	Description
Panel mount kit	830 6483	To mount the regulator using bonnet threads. Material: Chrome-plated brass

## Flow Curves for 492, 493 Series

