



400 Series Regulators

493 SERIES

The 493 Series regulator applications are wide and varied including high flow purging, pressure testing, manifold and line regulation.

- Single Stage
- Piston-Sensed
- Ultra-High Pressure
- 316L Stainless Steel Barstock Body

Typical Applications

- Airplane strut charging
- Research and development laboratories
- Chemical manufacturing
- Aerospace hydraulic systems
- Pharmaceutical manufacturing
- Gauge calibration



493 5952-677 shown

Features

- Large Piston Sensor**
Safely control pressures to 6000 PSIG (415 BAR)
- CAPSULE® Seat**
Increased serviceability and life
- Low Wetted Surface Area**
Minimal purge requirements
- Field-Adjustable Pressure Limit**
Safeguard downstream equipment
- 316 Stainless Steel Barstock Body**
Smooth surface finish
- Front and Rear Panel-Mountable**
Versatile system configuration
- Pressure Ranges 0-750 to 0-6000 PSIG (0-50 to 0-415 BAR)**
Broad range of applications
- Six Port Design**
Flexible installation alternatives

Materials

- Body**
316L stainless steel barstock
- Bonnet**
304 stainless steel
- Seat**
PCTFE 3000 and 4500 PSIG (210 and 310 BAR) inlet
Arlon® (PEEK) 6000 PSIG (415 BAR) inlet
- Piston**
316L stainless steel
- Filter**
Patented 10 micron 316 mesh
- Internal Seals**
Viton®

Specifications

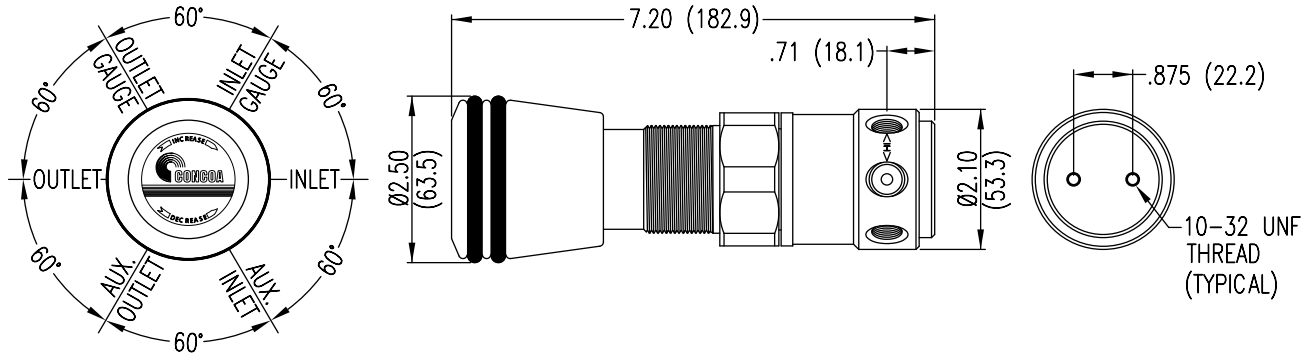
- Maximum Inlet Pressure**
6000 PSIG (415 BAR)
- Temperature Range**
-40°F to 140°F (-40°C to 60°C)
- Gauges**
2 1/2" (68mm) diameter stainless steel
- Ports**
1/4" FPT
- Cv**
0.1
See page 204 for flow curves
- Weight (493 5952-677)**
4.64 lbs. (2.10 kg)

CRN 0C17947.5

400 Series Regulators



Installation Dimensions



Ordering Information

493	A	B	C	D	-CON	Options		
Series	Outlet Pressure	Outlet Gauge	Inlet Maximum	Inlet Gauge	Outlet Assemblies	Assembly Gauges	Inlet Connections	Installed Options
493	1: 0-750 PSIG (0-50 BAR)	0-1000 PSIG/ 0-70 BAR	0: 6000 PSIG (0-415 BAR)*	None	0: 1/4" FPT	0: Bare body†	CGA DIN 477 BS 341 and others available	B: Protocol alarm station with pressure switch gauges
	2: 0-1500 PSIG (0-100 BAR)	0-4000 PSIG/ 0-275 BAR	3: 3000 PSIG (210 BAR)	0-4000 PSIG/ 0-275 BAR	1: 1/4" MPT	1: Standard assembly (PSIG/kPa gauges)		C: Protocol switchover station
	3: 0-2500 PSIG (0-170 BAR)	0-4000 PSIG/ 0-275 BAR	8: 5500 PSIG (379 BAR)	0-6000 PSIG/ 0-415 BAR	2: 1/4" tube fitting	2: Standard assembly (BAR/PSIG gauges)		E: Protocol alarm station with intrinsically safe transducer for hazardous environments
	4: 0-4500 PSIG (0-310 BAR)*	0-6000 PSIG/ 0-415 BAR	9: 6000 PSIG (415 BAR)	0-10,000 PSIG/ 0-700 BAR	5: Needle valve 1/4" MPT	6: Mirror image (BAR/kPa gauges)		H: Protocol switchover alarm station with pressure switch gauges
	5: 0-6000 PSIG (0-415 BAR)†	0-10,000 PSIG/ 0-700 BAR	* Only valid if D=1 or 2 (outlet gauge specified)		6: 1/8" tube fitting	7: Mirror image (BAR/PSIG gauges)		J: Protocol alarm station with standard transducer for non hazardous environments
	6: 0-3500 PSIG (241 BAR)*	0-6000 PSIG/ 415 BAR			7: 3/8" tube fitting	†B must be 3, 8 or 9 (maximum pressure specified)		K: Protocol switchover alarm station with standard transducer for non hazardous environments
	*Not available with 3000 PSIG (210 BAR) maximum inlet pressure				F: Needle valve 1/4" tube fitting			M: Protocol station
	†Only available with 6000 PSIG (415 BAR) maximum inlet pressure				M: 6mm tube fitting		Q: Protocol purge station*	
					Note: Outlet fittings and outlet valves are 316 stainless steel		X: Protocol switchover alarm station with intrinsically safe transducer for hazardous environments	
							*3000 PSIG (210 BAR) maximum inlet only valid if B=3	

Related Options

Options	Order No.	Description
Panel Mount Kit	830 6483	To mount the regulator using bonnet threads. Material: Chrome-plated brass

REGULATORS

Flow Curves for 492, 493 Series

