

529 SERIES

Protocol Station

The 529 Series Protocol Station is designed for the convenient wall mounting of any CONCOA high purity regulator. Wall mounting of a regulator provides ease of use, prevents regulator damage, and improves safety. The 529 Series Protocol Station is available in bare brass, chrome-plated brass, 316 stainless steel construction, as specified by the regulator series. This option comes complete with a 3 ft (900mm) stainless steel flexible hose with armor casing.



529 0126 shown with regulator (sold separately)

Features

Plugged Port in Gas Block

Facilitates purging

Integral Check Valve at Inlet

No internal contamination during cylinder change

Bracket Mounts

Attaches conveniently to any surface

Connections

CGA, DIN 477, BS 341 and others available

Materials

Protocol Tee

Brass, chrome-plated brass or 316L stainless steel barstock

Flexible Hoses

316L stainless steel inner core
Mone!® inner core for oxygen service
PTFE inner core for 6000 PSIG (415 BAR)

Inlet Connection

316L stainless steel or brass barstock

Check Valve 'O' Ring

Viton® (Neoprene for ammonia)

Bracket

304 stainless steel

Specifications

Maximum Inlet Pressure

3500 PSIG (240 BAR)
4500 PSIG (310 BAR) optional
6000 PSIG (415 BAR) optional

Temperature Range

-40°F to 140°F (-40°C to 60°C)

Weight (Single Stage)

3.1 lbs. (1.4 kg)

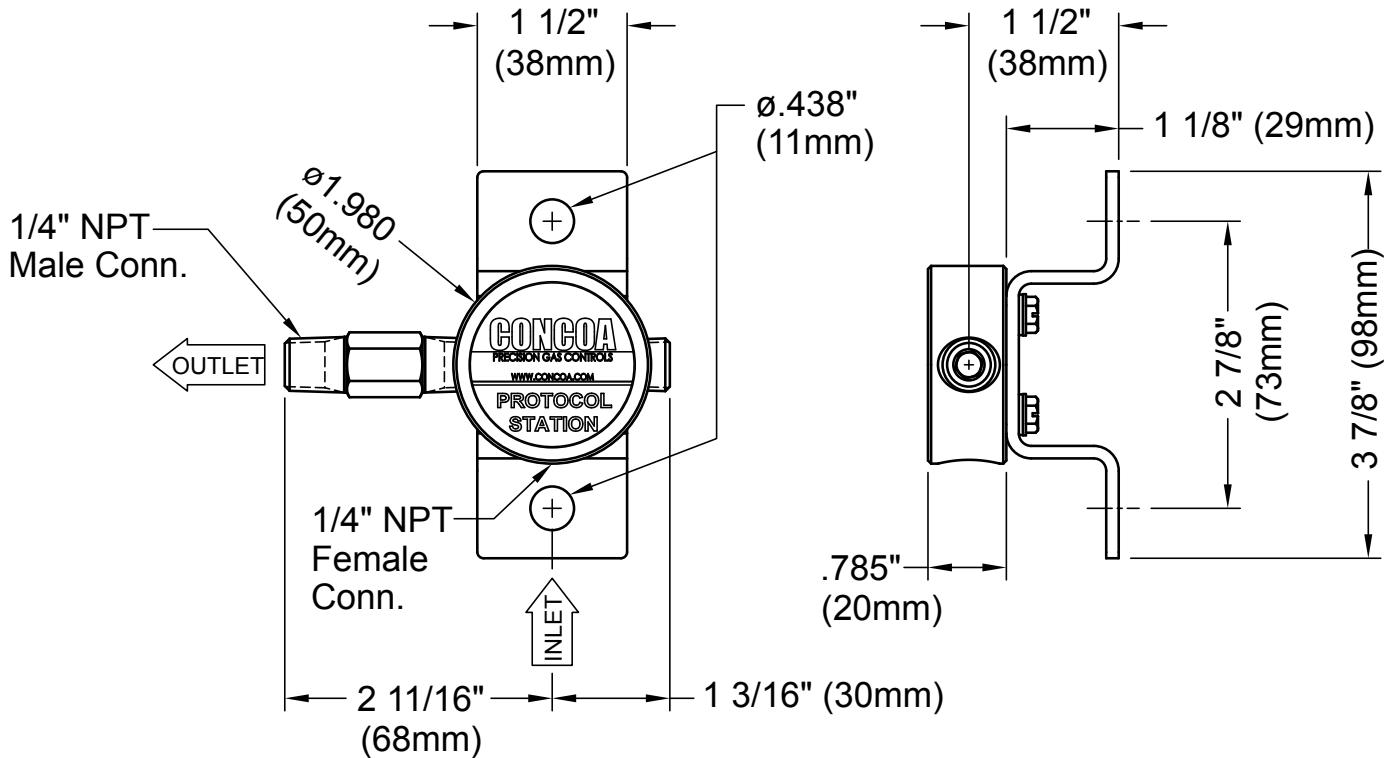
Weight (Dual Stage)

3.5 lbs. (1.6 kg)

Manifolds



Installation Dimensions



DISTRIBUTION SYSTEMS

529 0101 Dimensions Shown

Ordering Information

Order Number	Description
Add letter "M" after any regulator order number.	For example, 422 1331-580 with a protocol station wall mount, the order number would be 422 1331-580M
To order separately:	
529 0101-CON	Protocol station for single stage brass regulators with 3500 PSIG (240 BAR) max inlet pressure
529 0102-CON	Protocol station for single stage chrome-plated brass regulators with 3500 PSIG (240 BAR) max inlet pressure
529 0103-CON	Protocol station for single stage 316L stainless steel regulators with 3500 PSIG (240 BAR) max inlet pressure
529 0104-CON	Protocol station for dual stage brass regulators with 3500 PSIG (240 BAR) max inlet pressure
529 0105-CON	Protocol station for dual stage chrome-plated brass regulators with 3500 PSIG (240 BAR) max inlet pressure
529 0106-CON	Protocol station for dual stage 316L stainless steel regulators with 3500 PSIG (240 BAR) max inlet pressure
529 0121-CON	Protocol station for single stage brass regulators with 4500 PSIG (310 BAR) max inlet pressure
529 0122-CON	Protocol station for single stage chrome-plated brass regulators with 4500 PSIG (310 BAR) max inlet pressure
529 0123-CON	Protocol station for single stage 316L stainless steel regulators with 4500 PSIG (310 BAR) max inlet pressure
529 0124-CON	Protocol station for dual stage brass regulators with 4500 PSIG (310 BAR) max inlet pressure
529 0125-CON	Protocol station for dual stage chrome-plated regulators with 4500 PSIG (310 BAR) max inlet pressure
529 0126-CON	Protocol station for dual stage 316L stainless steel regulators with 4500 PSIG (310 BAR) max inlet pressure
529 0133-CON	Protocol station for single stage regulators with 6000 PSIG (415 BAR) max inlet pressure