

Straight Purges

The 502 Series purges are designed for use with high purity gases to ensure system integrity during breakdown of components or during gas source changes.

Purges provide safety by preventing the release of toxic or corrosive gases into the workplace when changing cylinders, corrosion resistance by preventing corrosive or halogen gases from coming into contact with atmospheric moisture, and purity by preventing air from infiltrating high purity systems at the time of cylinder change.



Materials and Specifications

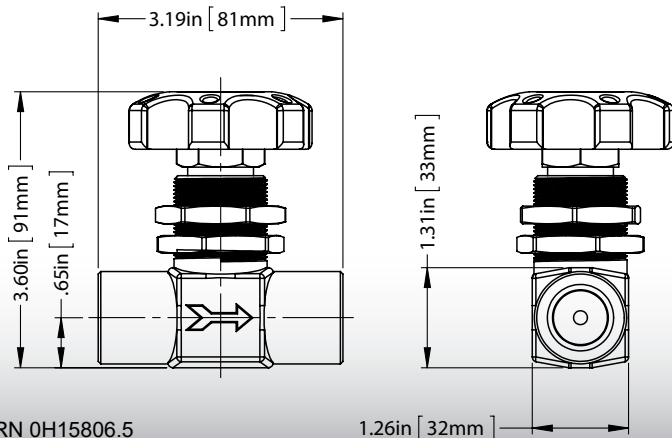
Seat	PCTFE
Diaphragm	Elgiloy®
Seals	Metal-to-Metal
Check Valve Seat	Viton®
Cv	0.17
Maximum Pressure	3000 PSIG (210 BAR)

Ordering Information

Order No.	Body Material	Purge Type	Weight
502 1002	Brass	Straight purge	1.2 lbs. (0.54 kg)
502 1005	316L stainless steel	Straight purge	1.2 lbs. (0.54 kg)

High Flow Diaphragm Valves

The 533 Series high flow diaphragm valves are ideal for primary or pipe line control in high purity or corrosive gas services. The forged 316L stainless steel body and metal-to-metal diaphragm seal ensure leak tight integrity at higher pressures. The ergonomic round knob, special diaphragm material and spring design ensure easy operation at high pressure and a high cycle life over a broad temperature range. With a positive seat shutoff, panel mount as standard and a directional flow arrow signifying recommended primary flow, the 533 Series is ideal for integrating into high flow systems.



Materials and Specifications

Maximum Inlet Pressure	3500 PSIG (240 BAR) @70°F
Maximum Differential Back Pressure	3000 PSIG (210 BAR)
Temperature Range	-65°F to 150°F (-54°C to 65°C)
Helium Leak Integrity	2x10 ⁻⁸ scc/sec
Body	Forged 316L stainless steel
Diaphragms	Elgiloy®
Seats	PCTFE
Seals	Metal-to-metal
Cv	0.30
Panel Mount Hole	1.25" (31.75 mm)

Ordering Information

Order No.	Inlet Connection	Outlet Connection	Body
533 8002	1/2" MPT	1/2" FPT	316L stainless steel
533 8008	1/2" FPT	1/2" FPT	316L stainless steel