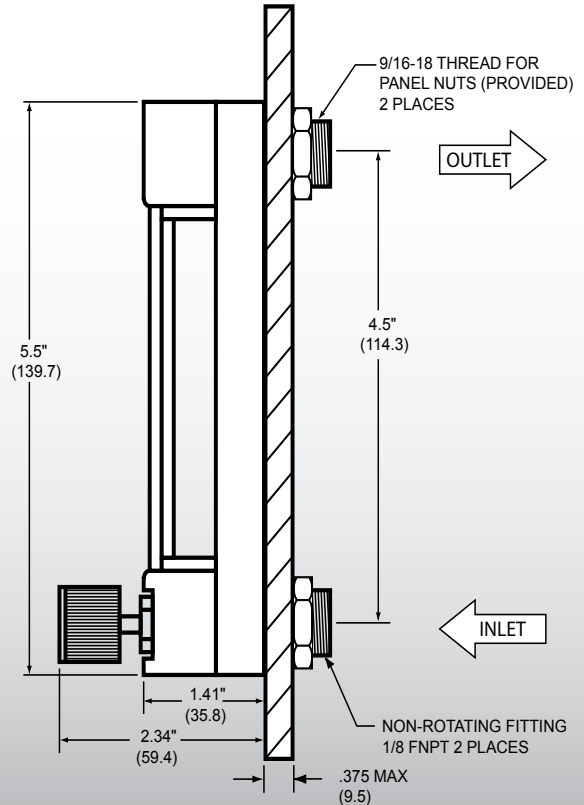


565 Series 65mm Flowmeter

The 565 Series 65mm (2.6") variable area flowmeters offer inherent simplicity, versatility and economy in a precision flow instrument. The compact size of the 65mm (2.6") scale is preferred in industrial panel-mounting applications and for direct mounting to a pressure regulator.

Flow readings from the millimeter scale are converted to actual flow using the calibration chart provided with the flowtube. CONCOA offers a wide variety of flowtube and float combinations to provide the optimum flow range for your application.



Features

Rib-Guided Tube Internals

Precise stable flow readings

Rotating Magnifier Lens

Enhances reading resolution

Two Panel Mount Retaining Nuts

Easy industrial panel mounting

Flowtubes Easily Interchangeable

One flowmeter frame accommodates a wide range of flow requirements

Materials

Flowtube

Heavy-walled borosilicate glass

Front Shield

Lexan polycarbonate

End Fitting

Brass or 316L stainless steel

Seals

Buna-N (aluminum)
Viton® (316L stainless steel)
EPDM (optional)
Kalrez® (optional)

Specifications

Accuracy

±5% full scale

Repeatability

±.25% full scale

Maximum Pressure

200 PSIG (14 BAR)

Maximum Temperature

200°F (93°C)

Useful Flow Range

10:1

Flow Control



Ordering Information

565	A	B	C	D	-CON(X)
Series 565	Tube Size*	Float Material*	Material	Valve	End Connection*
	1: 1	1: Glass	0: No frame* (fitting and float only)	0: Tube and float only	000: 1/8" FPT
	2: 2	2: Sapphire	1: Black anodized aluminum†	1: Standard valve	TF2: 1/8" tube
	3: 3	3: 316L stainless steel	2: 316L stainless steel†	2: High-accuracy valve*	TF4: 1/4" tube
	4: 4	4: Carbolloy	*Not available with a valve †Not available without a valve	* Not available with tube size 8 or 9 (A=8 or 9)	HB4: 1/4" hose barb
	5: 5	*Please see selection chart below for air flow information			*For EPDM/EPR seals, add "E" after the end connection. For Kalrez® seals, add "K" after end connection.
	6: 6				
	7: 7				
	8: 8				
	9: 9				
	*Please see selection chart below for air flow information				

Selection Chart

Air Flow (14.7 PSIA @ 70° F)					Air Flow (14.7 PSIA @ 70° F)				
Tube Size	Float Material	ml/min	SCFH	LPM	Tube Size	Float Material	ml/min	SCFH	LPM
1	1 (Glass)	51	0.11	0.05	5	3 (Stainless Steel)	5000	10.6	5.00
1	2 (Sapphire)	78	0.17	0.08	5	4 (Carbolloy)	7200	15.30	7.22
1	3 (Stainless Steel)	156	0.33	0.15	6	1 (Glass)	4000	8.48	4.00
1	4 (Carbolloy)	280	0.59	0.59	6	2 (Sapphire)	5200	11.00	5.20
2	1 (Glass)	100	0.21	0.21	6	3 (Stainless Steel)	7650	16.20	7.64
2	2 (Sapphire)	150	0.32	0.15	6	4 (Carbolloy)	11,000	23.30	11.00
2	3 (Stainless Steel)	255	0.54	0.25	7	1 (Glass)	6000	12.70	6.00
2	4 (Carbolloy)	475	1.01	0.48	7	2 (Sapphire)	7240	15.30	7.22
3	1 (Glass)	400	0.85	0.40	7	3 (Stainless Steel)	11,420	24.20	11.42
3	2 (Sapphire)	545	1.16	0.55	7	4 (Carbolloy)	16,275	34.50	16.28
3	3 (Stainless Steel)	845	1.79	0.84	8	1 (Glass)	10,000	21.20	10.00
3	4 (Carbolloy)	1275	2.70	1.27	8	2 (Sapphire)	12,970	27.50	12.98
4	1 (Glass)	900	1.91	0.90	8	3 (Stainless Steel)	18,800	39.86	18.81
4	2 (Sapphire)	1175	2.49	1.17	8	4 (Carbolloy)	26,665	56.53	26.68
4	3 (Stainless Steel)	1780	3.77	1.78	9	1 (Glass)	24,500	51.94	24.51
4	4 (Carbolloy)	2600	5.51	2.60	9	2 (Sapphire)	31,900	67.63	31.92
5	1 (Glass)	2500	5.30	2.50	9	3 (Stainless Steel)	44,425	94.18	44.45
5	2 (Sapphire)	3360	7.12	3.36	9	4 (Carbolloy)	63,600	134.83	63.63

Related Options

Order No.	Description
560 0001	Tripod base
565 0001	Brass regulator adapter kit
565 0002	316L stainless steel regulator adapter kit

FLOW CONTROL