



# 580 SERIES

## Flammable Gas Detector

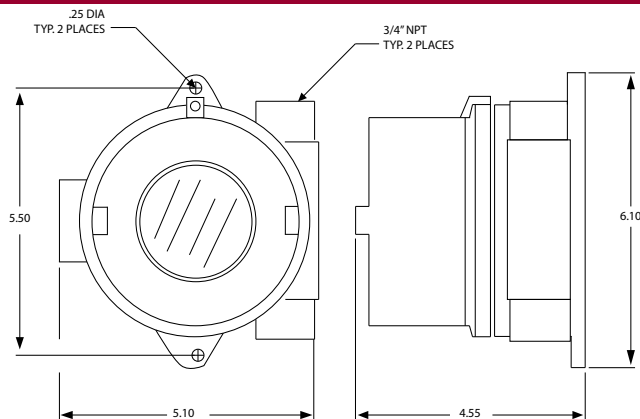
The 580 Series Flammable Gas Detectors are designed to provide continuous monitoring of combustible gases in laboratories and hazardous areas. A large LCD indicates the current concentration level, and audible and visual alarms indicate hazardous concentration. With two alarm levels, configured at the factory to 20% and 40% LEL (lower-explosive limit), the monitor ensures notification prior to an emergency. The monitor includes analog and digital outputs for integration with a CONCOA 585 Series Emergency Shut Off Controller or building monitoring system.



### Specifications

<b>Sampling Method</b>	Diffusion	<b>Relay Output</b>	Dual level + fault: 24 V (2 A)
<b>Sensor Type</b>	LEL catalytic bead	<b>Power Requirements</b>	24 VDC (200 mA)
<b>Accuracy</b>	±10% of reading	<b>Weight</b>	6 lbs (2.7 kg)
<b>Operating Temperature</b>	15°F to 115°F (0°C to 40°C)	<b>Enclosure rating</b>	NEMA 4 (Class 1, Groups B, C, D)
<b>Analog Output</b>	4-20 mA		

### Installation Dimensions



### Ordering Information

Order No.	Description
580 3012	Hydrogen / Deuterium Gas Monitor
580 3013	Methane Gas Monitor
580 3014	Carbon Monoxide Gas Monitor
580 3015	Propane Gas Monitor
580 3016	Acetylene Gas Monitor
580 3017	Ethane Gas Monitor
580 3018	Ethylene Gas Monitor
830 9211	24 VDC Powersupply (100-240 VAC)