

# ALTOS 2

## Cylinder Pressure Alarm

The CONCOA Altos 2 system monitor is designed to report the status of up to two individual points of observation in automatic switchover and fail-safe gas delivery applications. Universal input capability allows the 2.5" LCD screen to display real-time system pressure and configuration for up to two channels using 4-20mA pressure transducers or pressure switches. The status of all inputs is displayed locally with high visibility, multicolor LEDs, turning red when an input exits its normal condition. Three dry contact relay outputs allow the user to access status for each channel and a master alarm, making the Altos 2 an ideal fit for gas delivery installations requiring cylinder pressure monitoring capability.



### Features

- Two Input Channels**  
Monitors multiple sources
- 2.5" LCD Display**  
Shows system pressure and configuration
- Customizable System Configuration**  
Application flexibility
- 4-20 mA Pressure Transducer and Pressure Switch Inputs**  
Universal input capability
- Dry Contact Relay Outputs**  
Connects to building or auxiliary systems
- Highly Visible Lighted Status Notification**  
Easy to tell status from a distance
- Auto-reset on Cylinder Replenishment**  
No button to push
- Adjustable Alarm Delay up to 40-Minutes**  
Allows for transient events

### Materials

- Enclosure**  
Polycarbonate resin (flame retardant and UV stabilized)
- Cover Assembly**  
Screw closure
- Mounting Assembly**  
Polycarbonate flange

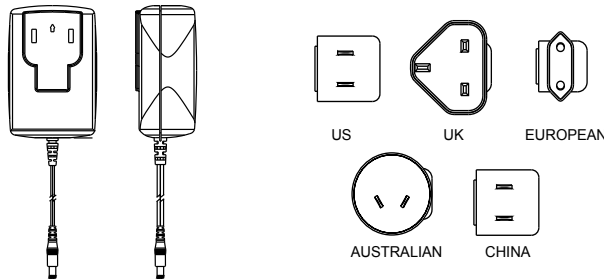
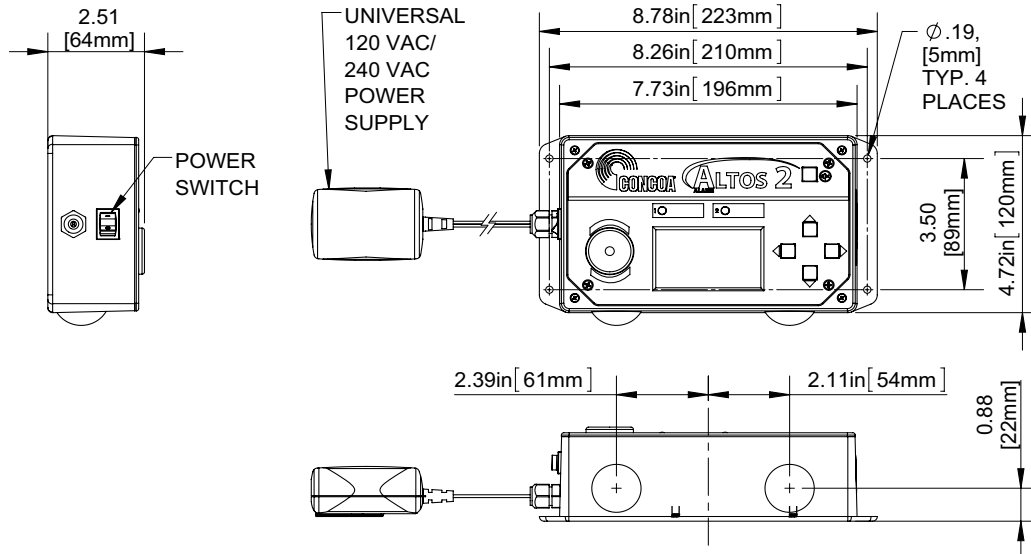
### Specifications

- Audio**  
93db audible alarm
- Power Input**  
100-240 VAC, 50-60 Hz (US, UK, European, Australian, and Chinese adapters included)
- Outputs (3)**  
Dry contacts  
Normally open and normally closed
- Output Contact Rating**  
.5A 24V
- Relay Inputs (2)**  
Dry contacts  
Normally open/normally closed (selectable)
- Dimensions**  
4.7 in x 8.7 in x 2.5 in  
(11.9 cm x 22.1 cm x 6.3 cm)

# Alarms



DISTRIBUTION SYSTEMS



## Ordering Information

Part Number	Description
5750025-01-24V	Altos 2 Remote Alarm (universal voltage input)

## Options

Part Number	Description
529 5296	Intrinsic safety barrier for AutoSwitch Systems using pressure switches.
529 5312	Intrinsic safety barrier for Switchover Systems and Protocol Station regulators using pressure switches.
529 5361	Intrinsic safety barrier for regulators using pressure transducers.
529 5362	Intrinsic safety barrier for Switchover Systems using pressure transducers.
529 5320-XX	Input cable for 542 High Flow Backup System available in 3', 25', and 100' lengths. "XX" in order number denotes length.
529 5342-XX	Input cable assembly for IntelliSwitch I and older model AutoSwitch Systems with circular connectors available in 3', 25', and 100' lengths. "XX" in order number denotes length.
529 5349-XX	Input cable assembly (7-wire by female 8-pin) to connect a 575 Series Advantium 16 System Monitor to a 577 Series CryoWiz available in 3', 25', and 100' lengths. "XX" in order number denotes length.
529 5360-01-XX	Cable assembly (Packard connector by 2-wire) to connect a 5-20mA transducer (not intrinsically safe) to an Altos 2 Alarm. One cable per transducer required, most Switchovers require two cables. Available in 6', 25', and 100' lengths. "XX" in order number denotes length.
529 6002-25-001	25-foot 2-wire, 18-gauge, shielded, plenum-rated cable for all Protocol Stations with pressure gauges and to extend transducer cables.
529 6004-25-001	25-foot 4-wire, 18-gauge, shielded, plenum-rated cable for all Switchovers using pressure switch gauges except AutoSwitches.
529 6006-25-001	25-foot 6-wire, 18-gauge, shielded, plenum-rated cable for current AutoSwitch Systems with pressure switch gauges.
529 6002-100-001	100-foot 2-wire, 18-gauge, shielded, plenum-rated cable for all Protocol Stations with pressure gauges and to extend transducer cables.
529 6004-100-001	100-foot 4-wire, 18-gauge, shielded, plenum-rated cable for all Switchovers using pressure switch gauges except AutoSwitches.
529 6006-100-001	100-foot 6-wire, 18-gauge, shielded, plenum-rated cable for current AutoSwitch Systems with pressure switch gauges.