

MANIFOLD HEATER

Manifold heaters ensure gaseous withdrawal from liquid sources and counteract the cooling effects of high-flow rates by heating the gas stream directly. The thermostatically-controlled 1000 watt heater provides steady vaporization at outlet temperature of 160°F (70°C), while the insulated cabinet remains cool to the touch. The manifold heater is available with a standard enclosure (8514280) as well as encased in a NEMA4 weather-tight (8514287) or NEMA4 explosion-proof enclosure.



851 4287 Shown

851 4280 Shown

Features

- Thermostatically Controlled Heater**
Prevents overheating the gas
- Insulated Cabinet**
Remains cool to the touch
- Continuous High Pressure Tubing**
No internal joints
- Optional NEMA 4 Enclosures**
Weather tight and explosion proof models available

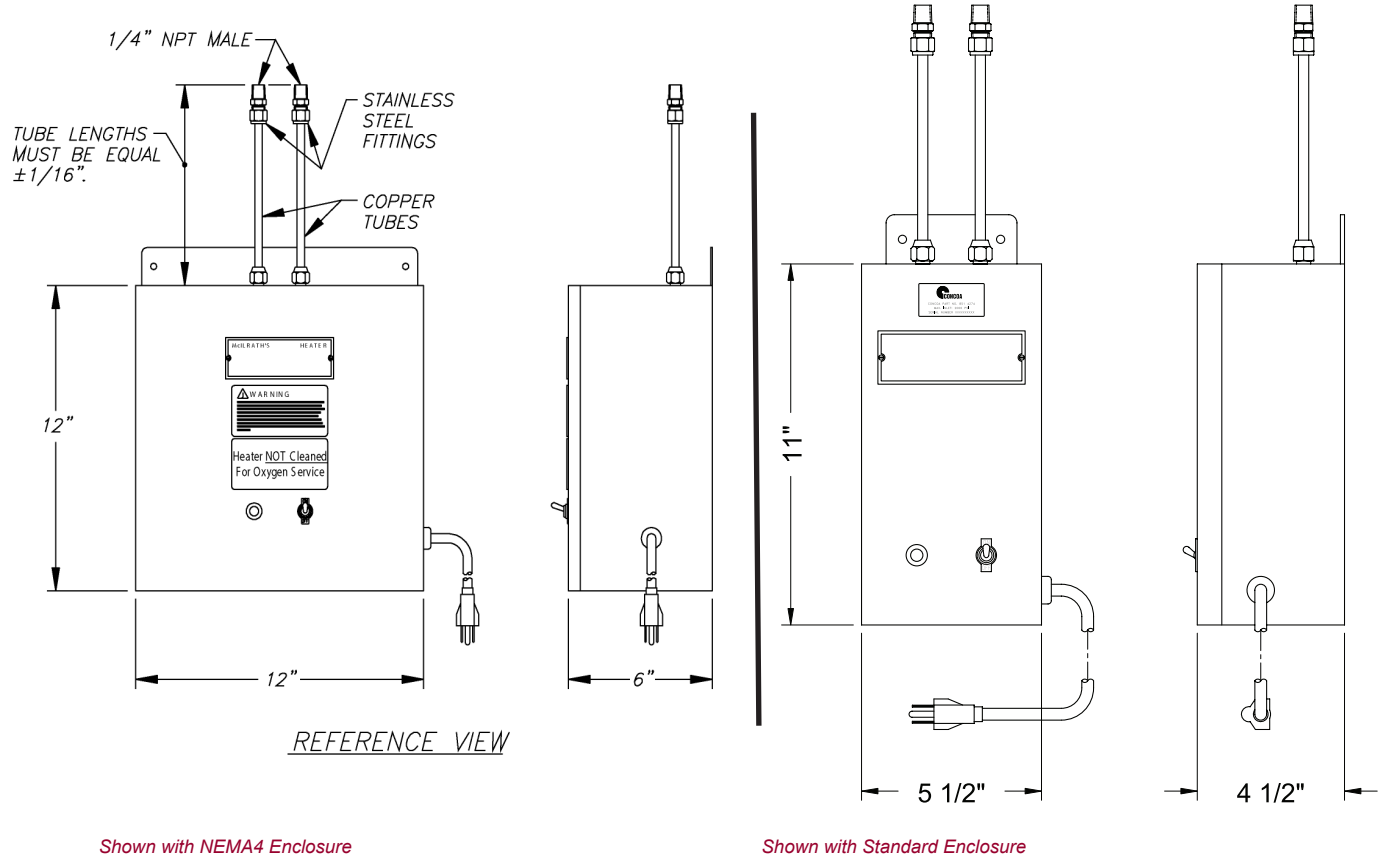
Materials

- Connections**
316L stainless steel
- Manifold Block**
Brass or stainless steel
- Tubes**
Copper or stainless steel

Specifications

- Maximum Flow Rate**
1000 SCFH @ 0°F (475 LPM @ -18°C)
- Vaporization**
22 lbs/hr @ 0°F (10 kg/hr @ -18°C)
- Thermostat Setting**
160°F (70°C)
- Manifold Connections**
1/2" MNPT
- Tube Connections**
1/4" MNPT x 5/16" compression fittings
- Cord Length**
6 ft (180 cm)
- Weight**
11 lbs (5 kgs)

Installation Dimensions



Ordering Information

Order No.	Description	Max Inlet
851 4274	1000-Watt Manifold Heater with Standard Enclosure, 120 Volts (8.3 amps), Copper Tubes, and Brass Manifold Block	2500 PSIG (170 BAR)
851 4275	1000-Watt Manifold Heater with Standard Enclosure, 240 Volts (4.2 amps), Copper Tubes, and Brass Manifold Block	2500 PSIG (170 BAR)
851 4278	1000-Watt Manifold Heater with Standard Enclosure, 120 Volts (8.3 amps), Stainless Steel Tubes and Manifold Block	4500 PSIG (310 BAR)
851 4280	1000-Watt Manifold Heater with Standard Enclosure, 240 Volts (4.2 amps), Stainless Steel Tubes and Manifold Block	4500 PSIG (310 BAR)
851 4285	1000-Watt Manifold Heater with NEMA 4 Weather-tight Enclosure, 120 Volts (8.3 amps), Copper Tubes, and Brass Manifold Block	2500 PSIG (170 BAR)
851 4286	1000-Watt Manifold Heater with NEMA 4 Weather-tight Enclosure, 240 Volts (4.2 amps), Copper Tubes, and Brass Manifold Block	2500 PSIG (170 BAR)
851 4287	1000-Watt Manifold Heater with NEMA 4 Weather-tight Enclosure, 120 Volts (8.3 amps), Stainless Steel Tubes and Manifold Block	4500 PSIG (310 BAR)
851 4288	1000-Watt Manifold Heater with NEMA 4 Weather-tight Enclosure, 240 Volts (4.2 amps), Stainless Steel Tubes and Manifold Block	4500 PSIG (310 BAR)
851 4301	1000-Watt Manifold Heater with Explosion Proof NEMA 4 Weather-tight Enclosure, 120 Volts (8.3 amps), Copper Tubes, and Brass Manifold Block	2500 PSIG (170 BAR)
851 4302	1000-Watt Manifold Heater with Explosion Proof NEMA 4 Weather-tight Enclosure, 240 Volts (4.2 amps), Copper Tubes, and Brass Manifold Block	2500 PSIG (170 BAR)
851 4303	1000-Watt Manifold Heater with Explosion Proof NEMA 4 Weather-tight Enclosure, 120 Volts (8.3 amps), Stainless Steel Tubes and Manifold Block	4500 PSIG (310 BAR)
851 4304	1000-Watt Manifold Heater with Explosion Proof NEMA 4 Weather-tight Enclosure, 240 Volts (4.2 amps), Stainless Steel Tubes and Manifold Block	4500 PSIG (310 BAR)