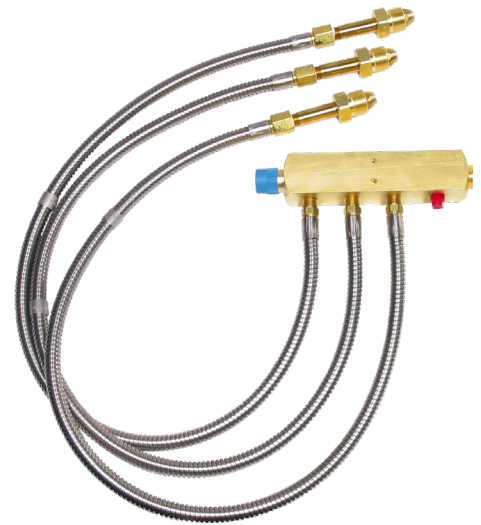


52L SERIES GAS MICROMANIFOLD



The 52L Series Gas MicroManifold provides a compact, efficient solution for distributing high purity, non-corrosive gases such as oxygen, argon, helium, nitrogen, or carbon dioxide from one or more high pressure cylinders to a CONCOA pressure control device. Its flexible, compact design makes it ideally suited for use with many CONCOA 500 Series and 600 Series switchover systems. CONCOA gas micromanifolds are designed for easy expansion. Multiple blocks can be connected to increase the number of supply ports without compromising system integrity or layout. This modular capability supports growing research demands and evolving laboratory configurations, all while reducing the number of cylinder connections and potential leak points. For cryogenic liquid cylinder applications that generate boil-off gas that must be safely vented, the 52L may be configured as a vent manifold system.



52L 1053-01-580 shown

Typical Applications

- Bioreactor Supply
- Calibration Gas Delivery
- High Flow Purge Gas Supply
- Gas Delivery from Multiple High Pressure Cylinder Supply

Features

Safety Disk protects manifold from over-pressurization

Compact Modular Design supports future growth capability

Multiple Cylinder Hose Options permit universal gas compatibility

Materials and Specifications

Maximum Inlet Pressure: 3000 PSIG (210 BAR); or 4500 PSIG (310 BAR) optional

Body: Brass barstock

Inlet Connections: Four 1/4 in FNPT; One 1/2 in FNPT

Outlet Connection: 1/2 in MNPT

Flexible Hoses: 316L stainless steel; Monel® inner core for oxygen service

Temperature Range: 0°F to 140°F (-18°C to 60°C)

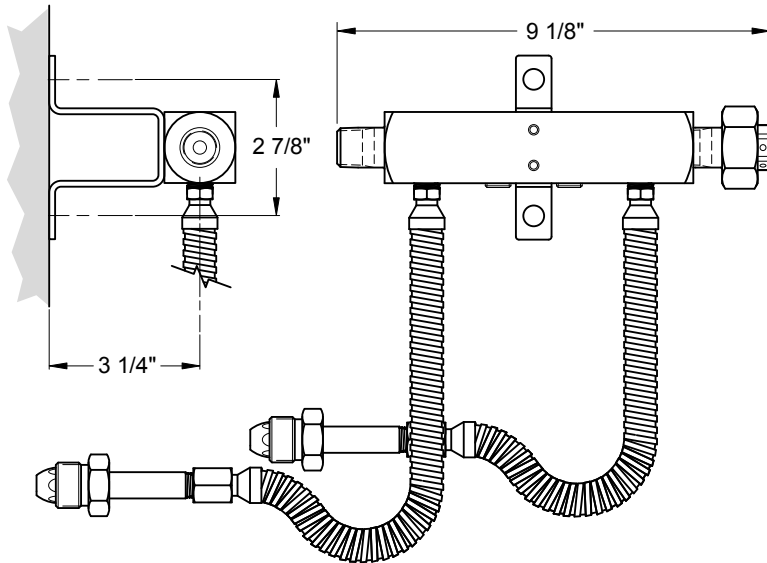
Weight: 4.2 lbs (1.9 kg)

Conformances: CRN OH15806.5

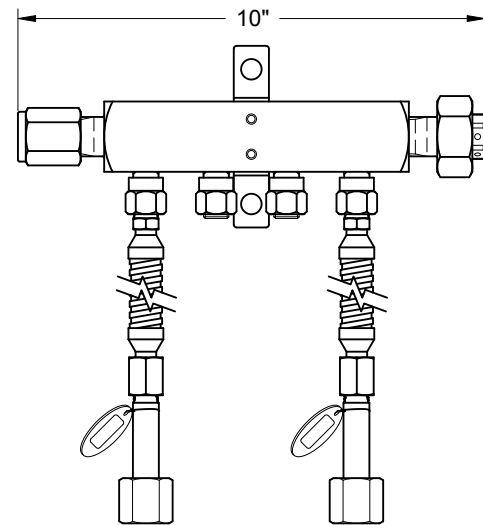
52L SERIES GAS MICROMANIFOLD



Installation Dimensions



52L-1152-580 MicroManifold



52L-21A2-295 Vent MicroManifold

Ordering Information

52L	A	B	C	D	Inlet
Series 52L	Manifold Type (Gauge)	Orientation	Hoses Style	Cylinder Side	Connections
	1: Gas MicroManifold (No gauges)	0: Simplex right bank	0: No hose	1: One	Please specify inlet connection. Use -001 for hoses option 0. CGA DIN 477 BS 341 and others available. Use CGA 295, 440, or 622 for hose style A.
	2: Vent MicroManifold (No gauges)	1: Simplex left bank	3: 72" (1800mm) flexible armor cased, stainless steel core**	2: Two	
	3: Gas MicroManifold (0-400 PSIG/0-2500 kPa gauges)	2: Duplex right and left bank	5: 36" (900mm) flexible armor cased, stainless steel core**	3: Three	
	4: Gas MicroManifold (0-600 PSIG/0-40 BAR gauges)	3: Simplex right bank with pressure switch gauge*	7: 24" (600mm) flexible armor cased, stainless steel core**	4: Four	
	5: Gas MicroManifold (0-4000 PSIG/0-2500 kPa gauges)	4: Simplex left bank with pressure switch gauge	A: 72" (1800mm) flexible stainless steel braided, PTFE core for liquid cylinder vent use†	5: Five	
	6: Gas MicroManifold (0-4000 PSIG/0-280 BAR gauges)	5: Duplex right and left bank with pressure switch gauge*	K: 72" (1800mm) armor cased, stainless steel core††	6: Six	
	7: Gas MicroManifold (0-6000 PSIG/0-40,000 kPa gauges)	*Valid with A = 4, 6, and 8.	L: 36" (900mm) armor cased, stainless steel core††	7: Seven	
	8: Gas MicroManifold (0-6000 PSIG/0-420 BAR)		**Valid with A = 1, 3, 4, 5, and 6. †Valid with A = 2. ††Valid with A = 1, 7, and 8.	8: Eight	
				0: Zero	

Options and Hoses

Option	Part Number	Description
Burst Disk Kit	829-9960	1/2" MPT replacement burst disk kit
Floor Stand	830-7437	Single manifold floor stand provides support for up to two consecutive manifold extensions