



CRYOGENIC LIQUID NITROGEN SWITCHOVER WITH REAL-TIME WEB SERVER



The CONCOA CryoWiz **REVOLUTIONIZES** the supply of cryogenic liquid nitrogen to freezers, environmental chambers, and other critical cryogenic applications. Using proprietary algorithms and dynamic hot-gas bypass, the CryoWiz automatically switches between primary and secondary sources to deliver a seamless supply of cryogen with minimal temperature change. With an unprecedented emphasis on safety and efficiency, the fully customizable CryoWiz can accommodate new usage profiles with a push of a button.



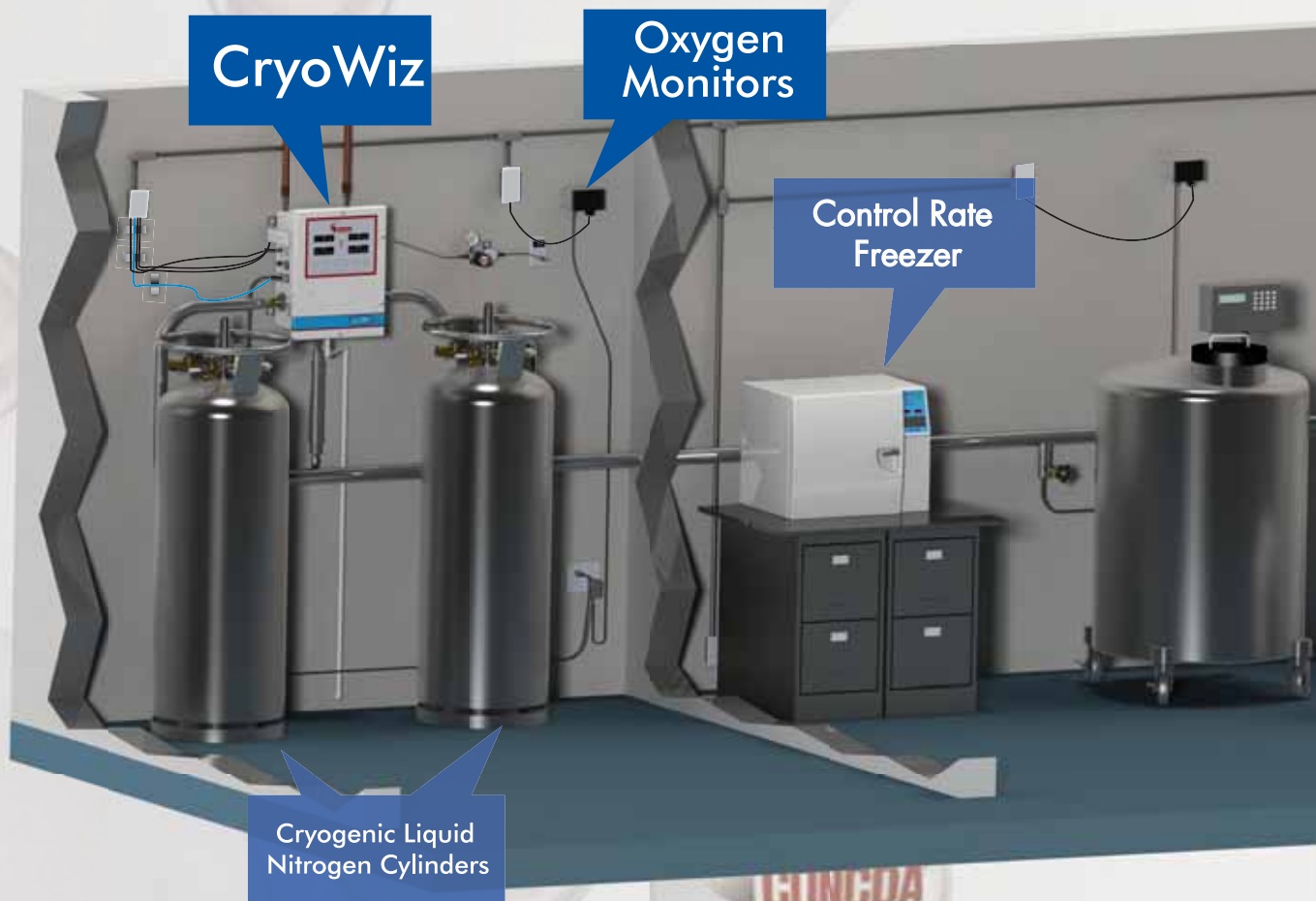
Revolutionary...

...Reliability

- Dynamic hot-gas bypass guarantees cryogen at the right temperature whenever it is needed.
- Fail-safe design supplies liquid as long as it is available from any connected source.
- Optional remote alarms, web server, event log, and e-mail notifications allow monitoring from any location at any time.

...Safety

- Integrated pipe-away relief valves protect against overpressure.
- Oxygen deficiency monitor integration ensures safe use.
- Enclosure and drain eliminate injury risk and mold growth from condensation.



...Efficiency

- Proprietary software algorithms minimize flash loss.
- Precise temperature and pressure sensors assure optimal performance.
- CONCOA Certified Technicians can tune parameters such as temperature thresholds and bypass time-outs.

...Versatility

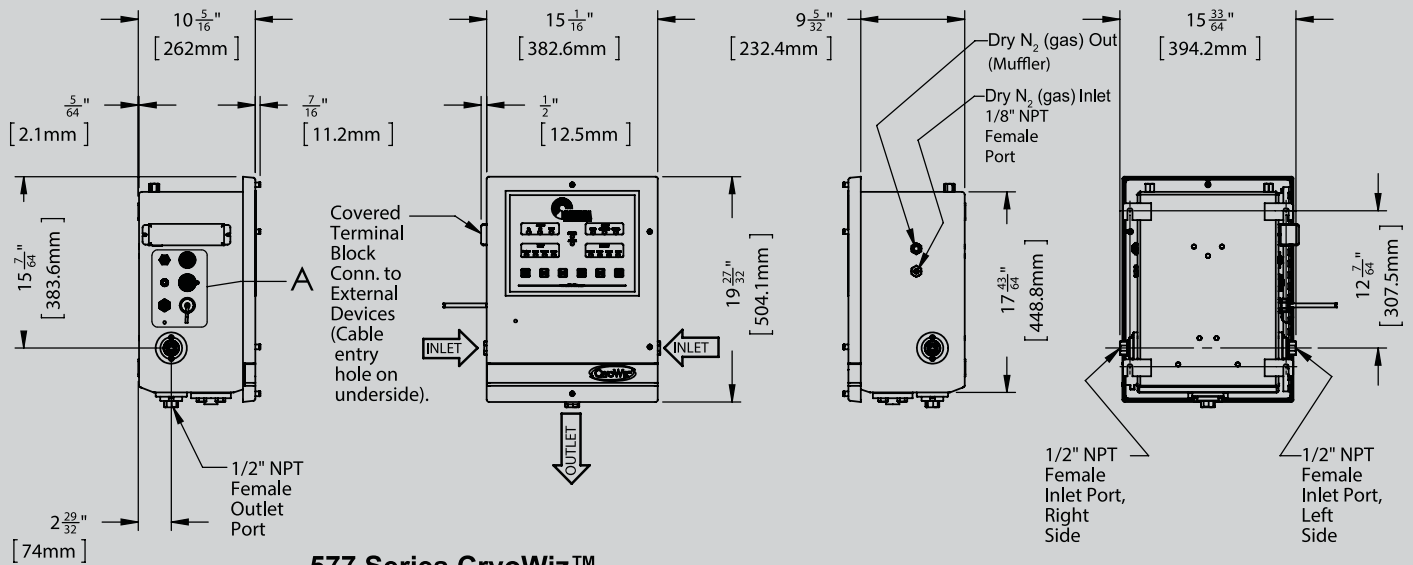
- Button selectable “Keep Full” and “On Demand” modes accommodate new applications.
- Compact design allows easy installation in a variety of environments.
- Custom software modification is available for unusual applications.



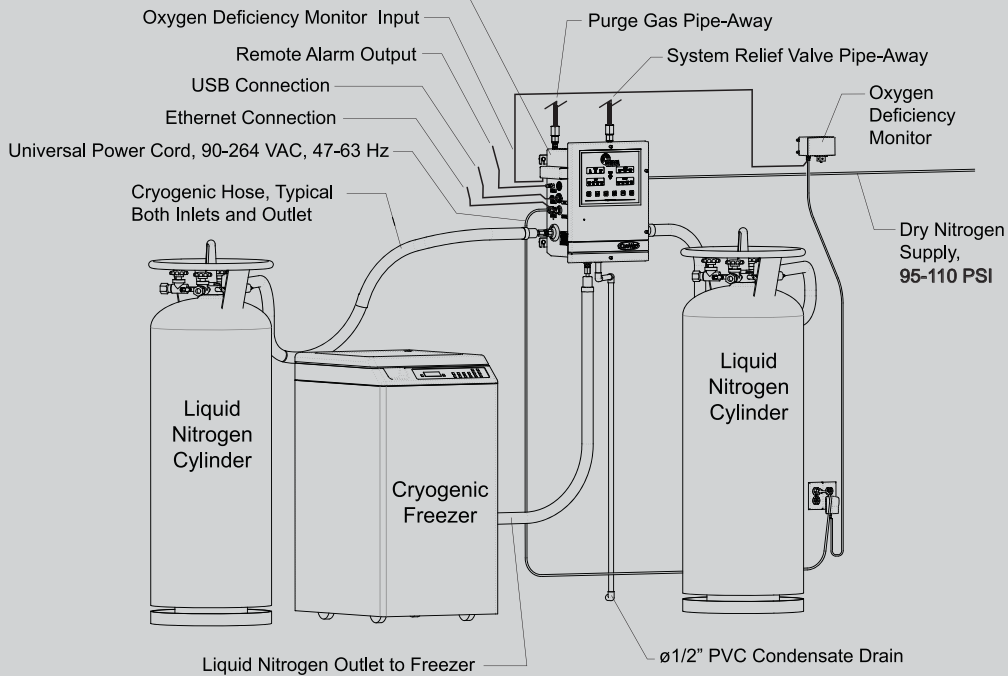
Depicted: Typical three-freezer system supplied by CryoWiz switchover from primary and secondary cryogenic liquid nitrogen cylinders. Hot gas is piped away to an external vent, and condensation is drained through building plumbing. Oxygen deficiency monitors at the source and near the freezers are connected to the CryoWiz, which will alarm and stop the flow of cryogen if a low-level warning is received. A remote alarm in the laboratory shows the current status of the CryoWiz. Additionally, the CryoWiz is attached to the building TCP/IP network via Ethernet, allowing remote access of its onboard web server and enabling notification e-mails. Significantly larger installations are possible; contact CONCOA for further information.



INSTALLATION AND TYPICAL CONFIGURATION



577 Series CryoWiz™



SPF 450E

